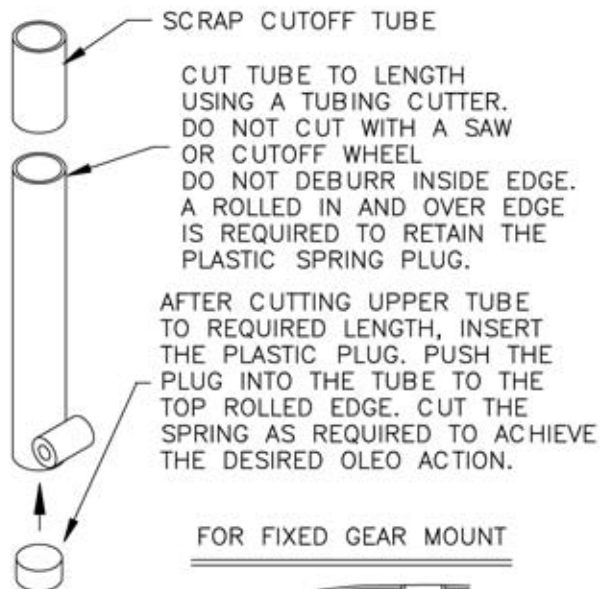


Instructions For FOR 1/2" DIA. SOCKET TYPE MOUNT

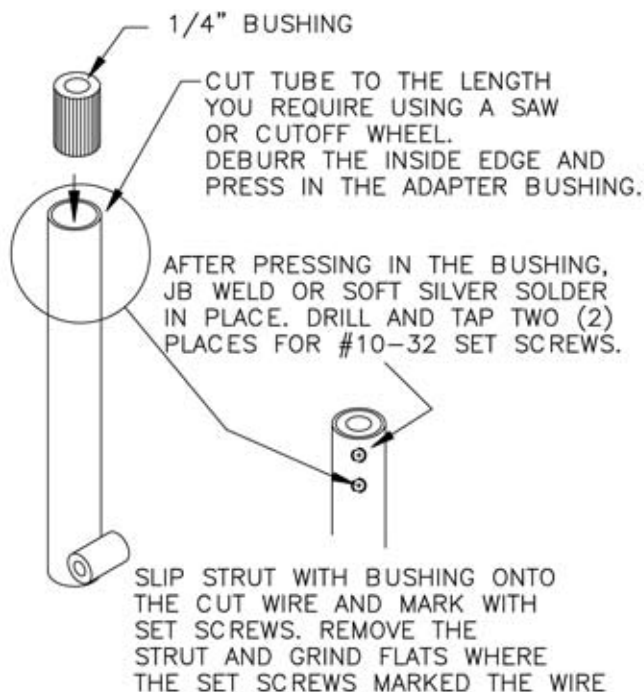
IF YOU ARE NOT USING THE
1/4" WIRE BUSHING...



IF YOU ARE USING THE STRUTS FOR FIXED GEAR YOU CAN FILL THE RIB BAY WHERE THE GEAR IS LOCATED WITH A SOLID BLOCK OF BASS WOOD OR PINE. SAND IT TO THE AIRFOIL SHAPE AND DRILL A 1/2" DIA. HOLE AT THE REQUIRED ANGLE. ROUGH UP THE TOP OF THE STRUT AND EPOXY IN THE HOLE. DO NOT DRILL THROUGH THE BLOCK.

Instructions For FOR 1/4" DIA. MUSIC WIRE MOUNT

IF YOU ARE USING THE
1/4" WIRE BUSHING...



CAUTION !
IF YOU ARE GOING TO SILVER SOLDER THE ADAPTER BUSHING INSIDE THE TUBE, APPLY HEAT TO THE TOP OF THE TUBE AND BUSHING ONLY. APPLY ONLY ENOUGH HEAT TO GET THE SOLDER TO FLOW, TOO MUCH HEAT CAN AND WILL WEAKEN THE STRUT.