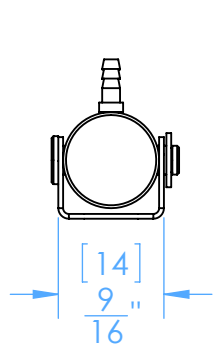
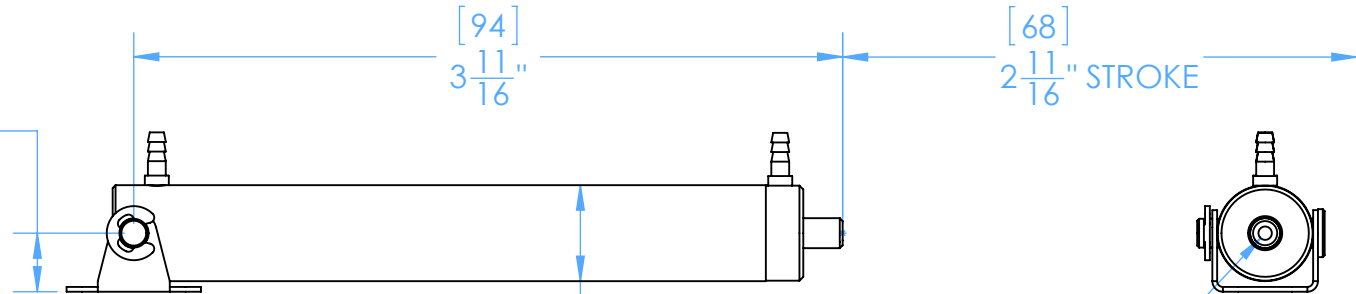
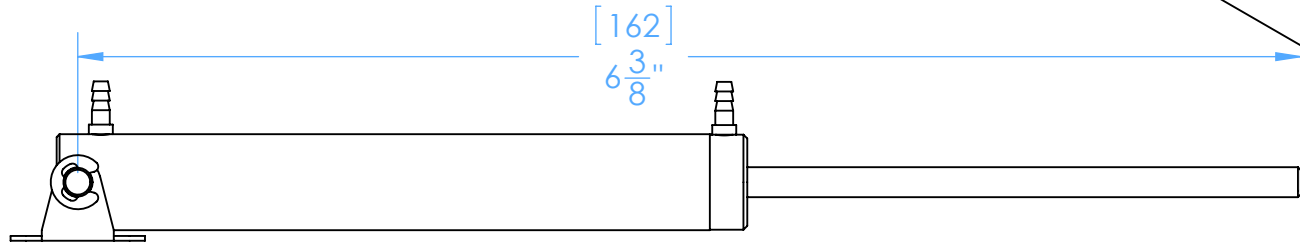
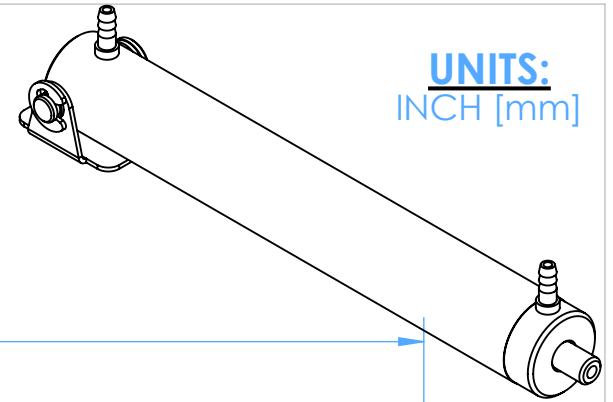


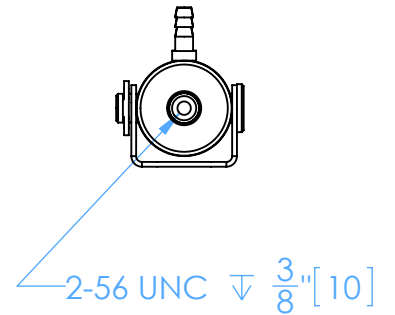
REVISIONS			
REV.	DESCRIPTION	DATE	APPROVED
-	PRODUCTION RELEASE	12NOV14	JR

UNITS:
INCH [mm]

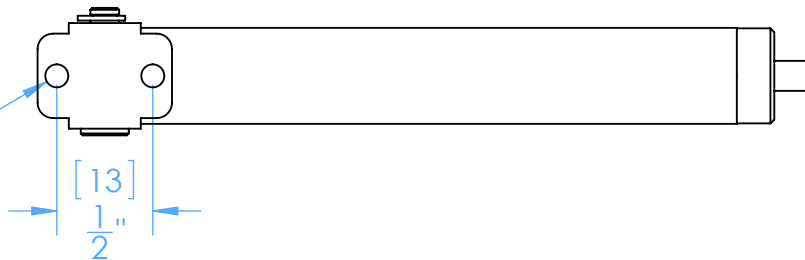


[8]
5/16"

[13]
Ø 1/2"



[3]
Ø 1/8" (2) PLACES



ROBART MFG

TITLE:
**165L
DIMENSIONAL DETAIL**

PROPRIETARY AND CONFIDENTIAL	UNLESS OTHERWISE SPECIFIED:	NAME	DATE
THE INFORMATION CONTAINED IN THIS DRAWING IS THE SOLE PROPERTY OF ROBART MANUFACTURING. ANY REPRODUCTION IN PART OR AS A WHOLE WITHOUT THE WRITTEN PERMISSION OF ROBART MANUFACTURING IS PROHIBITED.	DIMENSIONS ARE IN INCHES	DRAWN	J.REHAK 12NOV14
	TOLERANCES:	CHECKED	
	FRACTIONAL ± 1/32	MFG APPR.	
	ANGULAR: MACH ± BEND ±	Q.A.	
	TWO PLACE DECIMAL ±0.01		
	THREE PLACE DECIMAL ±0.005		
	FOUR PLACE DECIMAL ±0.0005		

SIZE **A** DWG. NO. **165L DIM** REV **-**

SCALE: 1:1 SHEET 1 OF 1