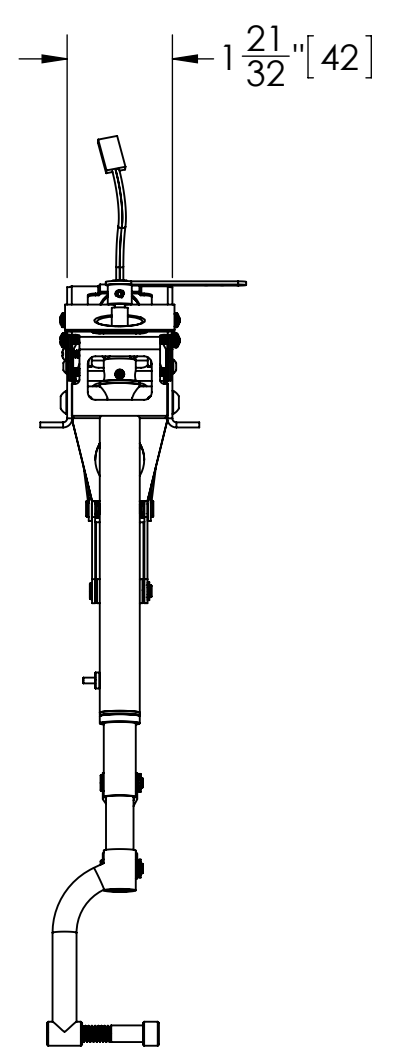
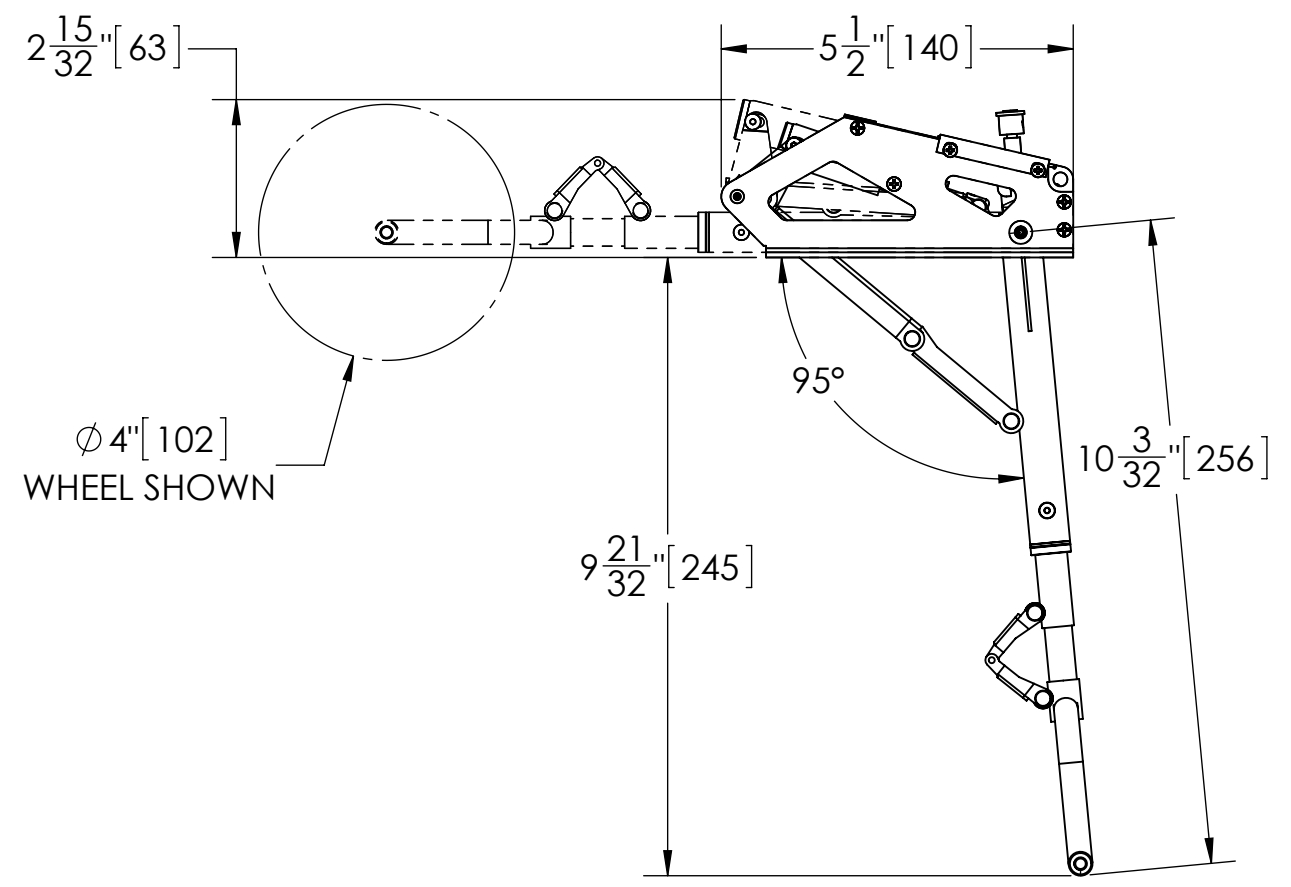
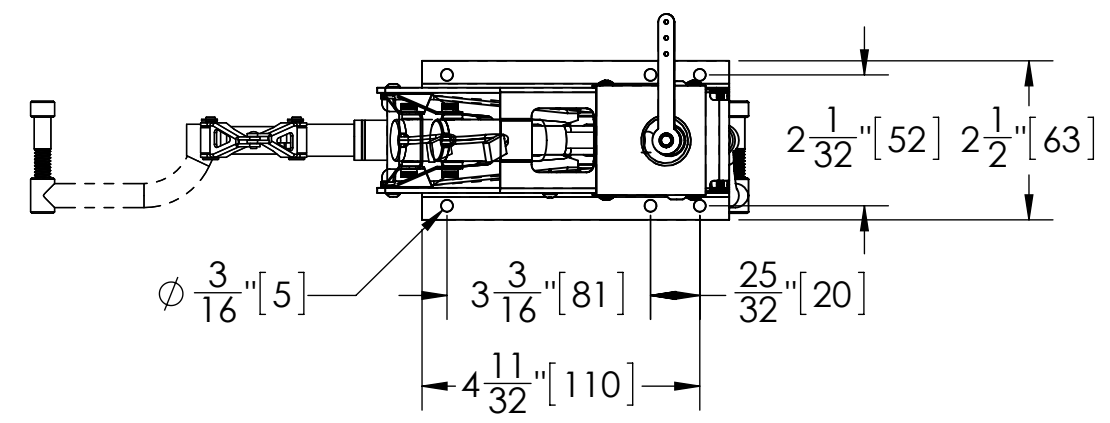


REVISIONS			
REV.	DESCRIPTION	DATE	APPROVED



UNITS:
INCH [mm]

ROBART MFG.		
TITLE: 158 ELECTRIC NOSE GEAR DIM DETAILS		
SIZE B	DWG. NO. 158E DIM	REV -
SCALE: 1:2	WEIGHT:	SHEET 1 OF 1

PROPRIETARY AND CONFIDENTIAL THE INFORMATION CONTAINED IN THIS DRAWING IS THE SOLE PROPERTY OF ROBART MANUFACTURING. ANY REPRODUCTION IN PART OR AS A WHOLE WITHOUT THE WRITTEN PERMISSION OF ROBART MANUFACTURING IS PROHIBITED.	DIMENSIONS ARE IN INCHES TOLERANCES: FRACTIONAL $\pm 1/32$ ANGULAR: MACH $\pm 1^\circ$ BEND $\pm 1^\circ$ TWO PLACE DECIMAL ± 0.01 THREE PLACE DECIMAL ± 0.005 FOUR PLACE DECIMAL ± 0.0005	DRAWN CHECKED MFG APPR. Q.A.	NAME N.MARC	DATE 7JUL14