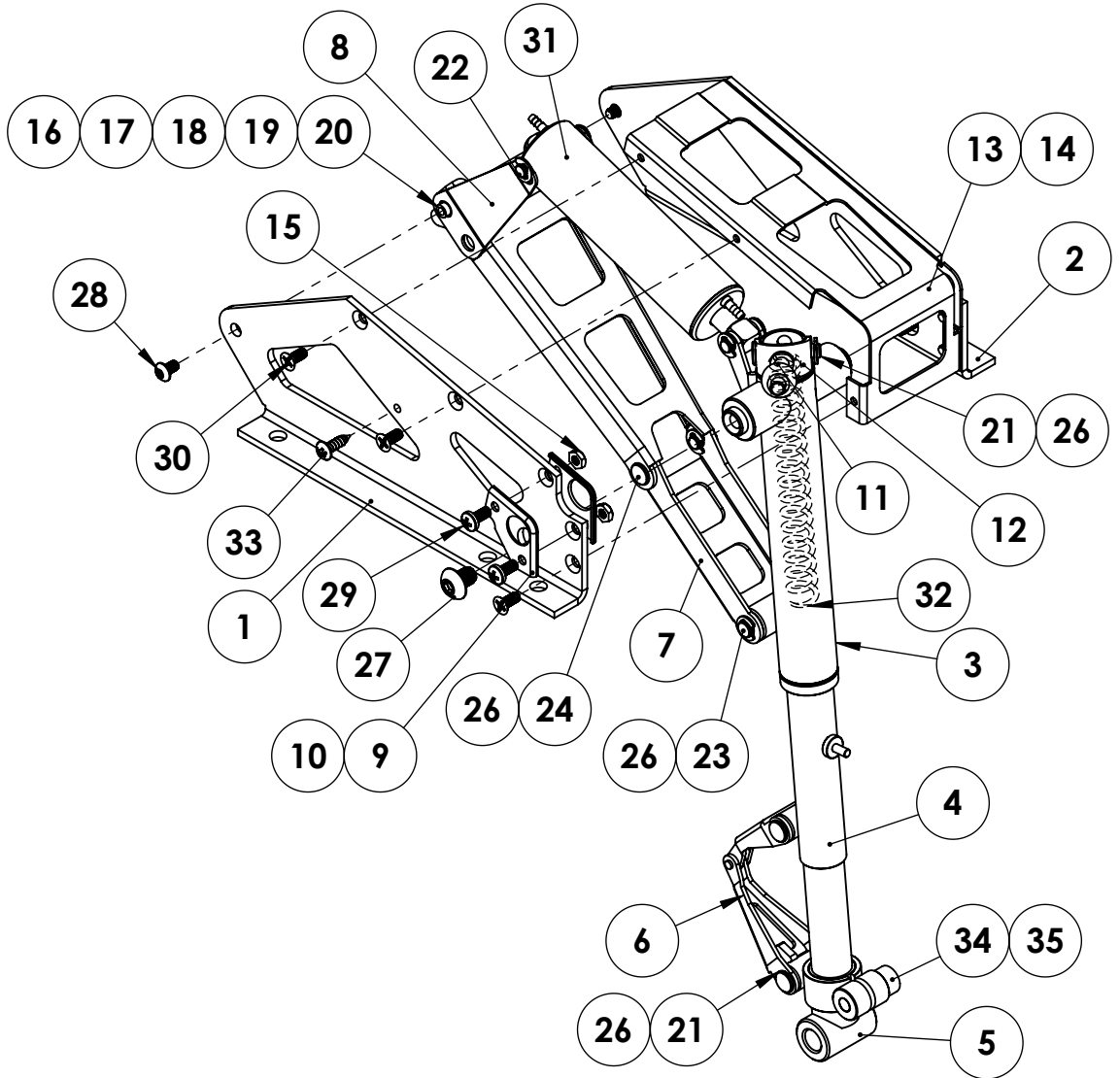


## SPARE PARTS LIST

QTY.	ITEM NO.	DESCRIPTION	PART #
1	1	SIDE FRAME - RH	150037M
1	2	SIDE FRAME - LH	150036M
1	3	TRUNION ASSEMBLY	150102A
1	4	ROTATION STRUT	150123A
1	5	OLEO RAM ASSEMBLY	150104A
1	6	TORQUE LINK ASSEMBLY	150107A
1	7	100 DEG LOWER LIFT LINK	150031M
1	8	LIFT YOKE ASSEMBLY	150105A
1	9	CAM FRAME - RH	150047M
1	10	CAM FRAME- LH	150049M
1	11	CAM BALL	150032M
1	12	CAM FOLLOWER	150106A
1	13	SPACER BRACKET-RH	150051M
	14	SPACER BRACKLET-LH	150050M
2	15	#4-40 HEX NUT	1035F
1	16	LIFT YOKE PIVOT PIN	150004M
1	17	LATCH PAWL	150003M
1	18	LATCH SPACER	150005M
1	19	LATCH SPACER	150001M
	20	LATCH SPRING	102008M
3	21	CLEVIS PIN	150002M
1	22	CYLINDER CLEVIS PIN	150012M
1	23	CLEVIS PIN	150010M
2	24	CLEVIS PIN	150033M
1	25	CLEVIS PIN	150018M
8	26	E-CLIP	1039F
2	27	#10-32 X 1/4 BHCS	1021F
2	28	#4-40 x 3/16" BHSMS	1022F
2	29	#4-40 X 1/4" BHMS	1047F
8	30	#4 X 1/4 PFHMS	1026F
1	31	CYLINDER ASSEMBLY	150108A
1	32	COMPRESSION SPRING	150019P
1	33	#4 X 3/8 PPHSMS	1012F
1	34	ADJ. TORQUE LINK MOUNT-RH	150110A
1	35	ADJ. TORQUE LINK MOUNT-LH	150111A



**robart**  
www.robart.com

625 N. 12TH ST.  
ST. CHARLES, IL 60174  
PH: 630-584-7616  
FX: 630-584-3712

TITLE:

**GAIN SCALE  
ROTATING RETRACTS**

906-020M

PROPRIETARY AND CONFIDENTIAL  
THE INFORMATION CONTAINED IN THIS DRAWING IS THE SOLE  
PROPERTY OF ROBART MANUFACTURING. ANY REPRODUCTION  
IN PART OR AS A WHOLE WITHOUT THE WRITTEN PERMISSION OF  
ROBART MANUFACTURING IS PROHIBITED.

	NAME	DATE
DRAWN	N.MARC	12NOV13
CHECKED		

**150SP**

REV -