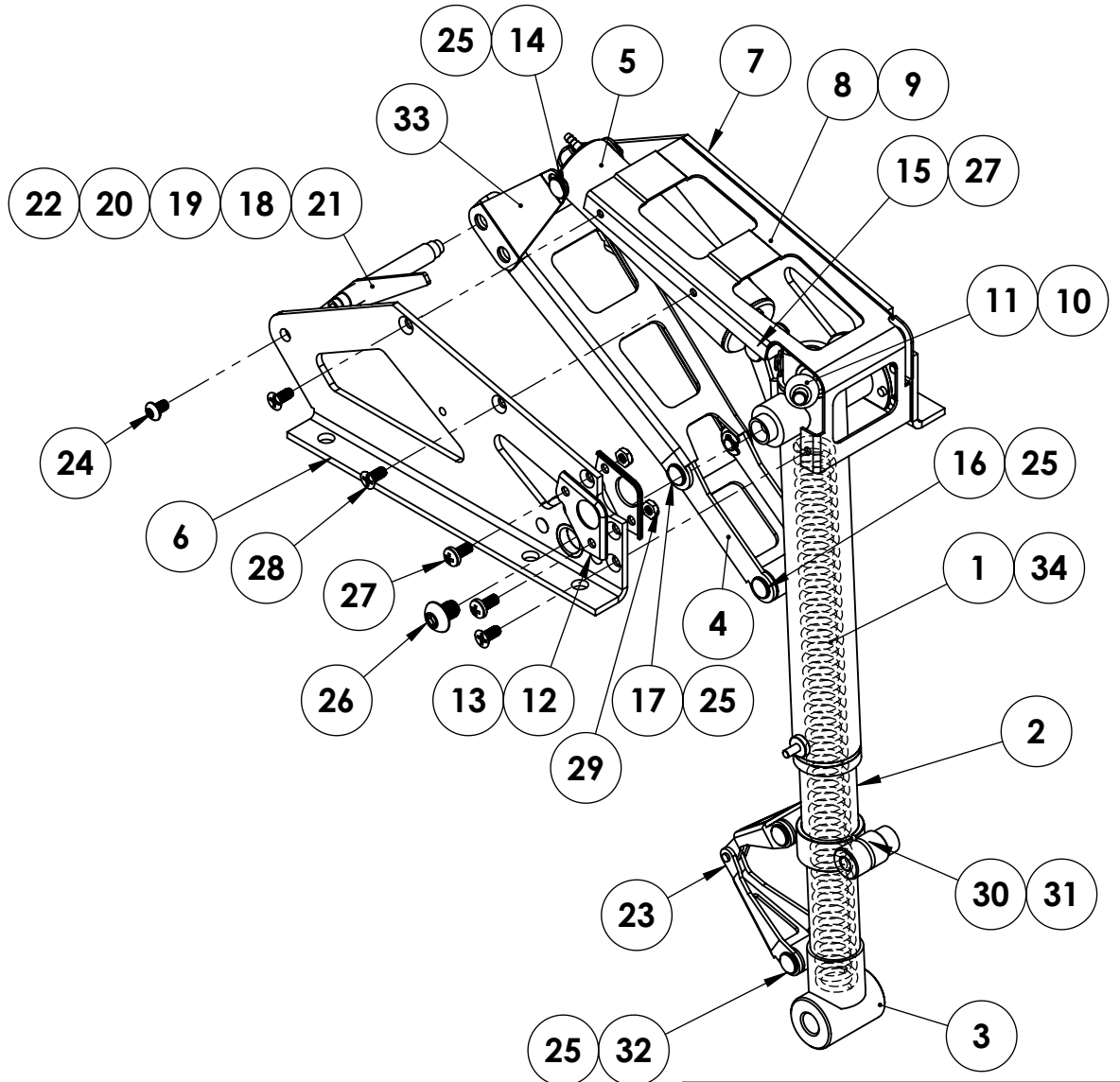


SPARE PARTS LISTS

QTY.	ITEM	DESCRIPTION	PART #
1	1	TRUNION ASSEMBLY	150504A
1	2	ROTATION STRUT	150530A
1	3	OLEO RAM WELDMENT	151106A
1	4	LOWER LIFT LINK - 90 DEG	150028M
1	5	CYLINDER ASSEMBLY	150108A
1	6	SIDE FRAME ASSEMBLY (RH)	150507A
1	7	SIDE FRAME ASSEMBLY (LH)	150508A
1	8	SPACER BRACKET-RH	150050M
1	9	SPACER BRACKET-LH	150051M
1	10	CAM FOLLOWER	150106A
1	11	CAM BALL	150032M
1	12	CAM FRAME-RH	150047M
1	13	CAM FRAME- LH	150049M
1	14	CYLINDER CLEVIS PIN	150012M
1	15	CLEVIS PIN	150018M
1	16	CLEVIS PIN	150010M
2	17	CLEVIS PIN	150033M
1	18	LIFT YOKE PIVOT PIN	150004M
1	19	LATCH SPACER	150001M
1	20	LATCH SPACER	150005M
1	21	HD LATCH PAWL	150003MP
1	22	LATCH SPRING	102008M
1	23	TORQUE LINK ASSEMBLY	150107A
2	24	#4-40 x 3/16" BHSMS	1022F
8	25	E-CLIP	1039F
2	26	#10-32 X 1/4 BHCS	1021F
2	27	#4-40 X 1/4" BHMS	1047F
8	28	#4 X 1/4 PFHMS	1026F
2	29	#4-40 HEX NUT	1035F
1	30	TORQUE LINK MOUNT-RH	150113A
1	31	TORQUE LINK MOUNT-LH	150113A
3	32	CLEVIS PIN	150002M
1	33	LIFT YOKE ASSEMBLY	150105A
1	34	COMPRESSION SPRING	151019P




 625 N. 12TH ST.
 ST. CHARLES, IL 60174
 PH: 630-584-7616
 FX: 630-584-3712
www.robart.com

**TITLE: HEAVY DUTY #150
 RETRACT 8" STRAIGHT
 STRUT**

906-025M

PROPRIETARY AND CONFIDENTIAL
 THE INFORMATION CONTAINED IN THIS DRAWING IS THE SOLE
 PROPERTY OF ROBART MANUFACTURING. ANY REPRODUCTION
 IN PART OR AS A WHOLE WITHOUT THE WRITTEN PERMISSION OF
 ROBART MANUFACTURING IS PROHIBITED.

	NAME	DATE
DRAWN	N.MARC	14NOV13
CHECKED		

150HD8SP

REV -