

AMD Direct

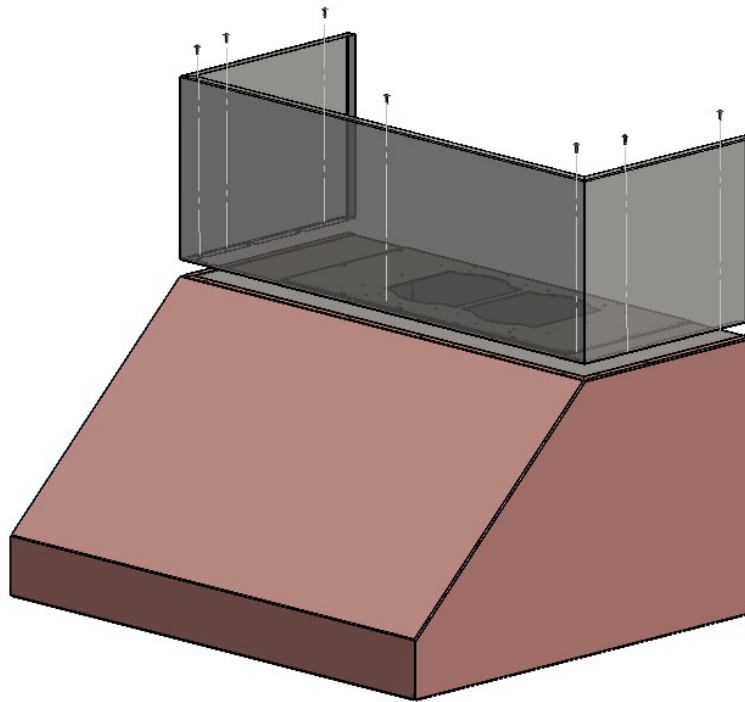
VENT HOOD DUCT COVER

SSVH-36-DC / SSVH-48-DC / SSVH-60-DC

SPECIFICALLY DESIGNED FOR SUMMERSET VENT HOOD MODELS: SSVH36 / SSVH48 / SSVH60

Read and follow all instructions. The SSVH-DC series duct covers are packaged and ready to be installed. Carefully slide the duct cover into the area above the already secured vent hood. Ensure the bottom perimeter of the duct cover rests flush with the vent hood. Using a #29 drill bit, drill pilot holes onto the top of the vent hood using the duct cover mounting holes as template.

Secure the duct cover from top of the vent hood with the #8 x 1/2" self-drilling screws (provided). The screws are to be fastened through the mounting holes located on the duct cover into the top of the vent hood (see figure below).



Reference the parts list below to identify the hardware included with your duct cover (to be used during installation).

Item	Description	SSVH-36-DC	SSVH-48-DC	SSVH-60-DC
1	#8 x 1/2 Self Drilling Screw	7	9	10
2	Instruction Sheet	1	1	1

Note: If vent hood wall mounted spacers are installed, a duct cover filler panel may be purchased separately to enclose the gap between the duct cover and rear wall. Please visit our website www.SummersetGrills.com for more information.