

# AMD Direct

---

## VENT HOOD MANUAL





## INSTALLATION INSTRUCTIONS & OWNER'S MANUAL

---

**NAME:** VENTHOOD 36"    VENTHOOD 48"    VENTHOOD 60"  
**PART #:**        SSVH-36                    SSVH-48                    SSVH-60

### THANK YOU

---

Thank you for your purchase. We'd like to welcome you to the AMD Direct family of luxury outdoor kitchen products and look forward to being a part your home for years to come. As a family business with over 30 years of industry experience, we aim to deliver exceptional quality and personal service. Welcome to the AMD Direct family and we hope you love your new vent hood!

---



**For warranty information and to register your grill visit, [amddirect.com/register/venthood](https://amddirect.com/register/venthood)**

To view on your phone, scan the QR code on your smart phone's camera app. (For Android devices, use Google Lens.)

### INSTALLER:

---

Please leave this manual for the owner

Serial Number: \_\_\_\_\_

Model: \_\_\_\_\_

Date of Purchase: \_\_\_\_\_

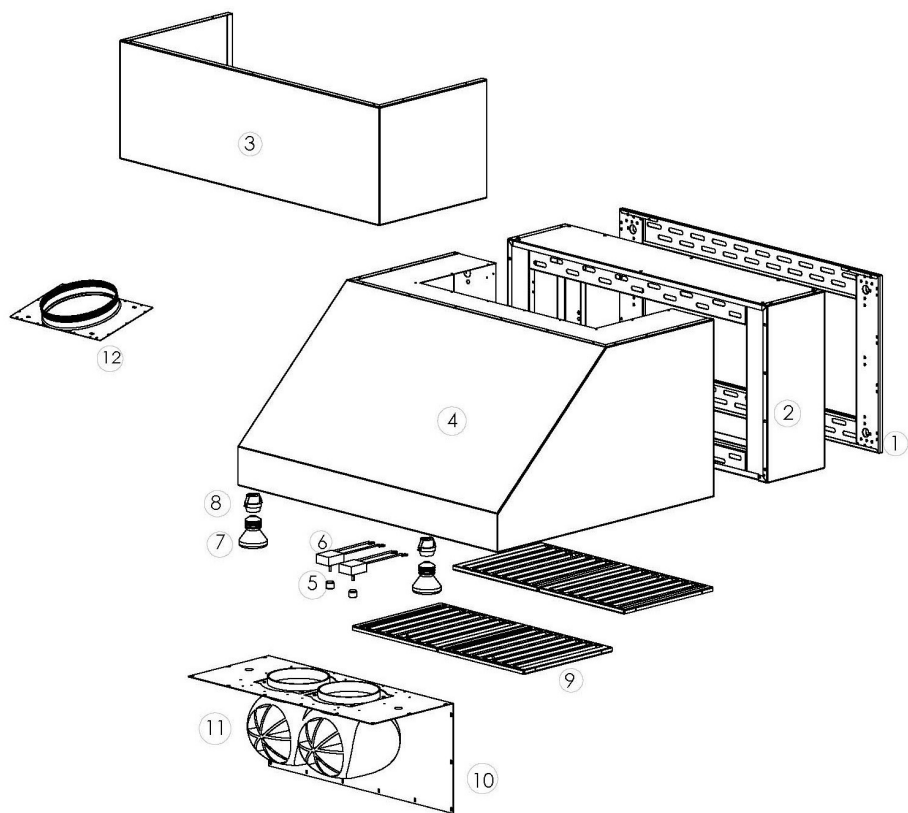
Place of Purchase: \_\_\_\_\_

## REPLACEMENT PARTS LIST

VENT HOOD SERIES REPLACEMENT PARTS LIST							
ITEM #	DESCRIPTION	SSVH-36	QTY	SSVH-48	QTY	SSVH-60	QTY
*1	1/2" MOUNTING TEMPLATE	SSVH-36-SPT	1	SSVH-48-SPT	1	SSVH-60-SPT	1
*2	8" VENT HOOD SPACER	SSVH-36-SP8	1	SSVH-48-SP8	1	SSVH-60-SP8	1
*3	VENT HOOD DUCT COVER	SSVH-36-DC	1	SSVH-48-DC	1	SSVH-60-DC	1
4	VENT HOOD ASSEMBLY	20158	1	20159	1	20152	1
5	CONTROL KNOB	10482	2	10482	2	10482	2
6	VARIABLE SPEED FAN CONTROL	10483	2	10483	2	10483	2
7	HALOGEN LAMP	10480	2	10480	3	10480	3
8	PORCELAIN LIGHT SOCKET	10481	2	10481	3	10481	3
9	VENT HOOD FILTER	31812	8	31812	12	31812	16
10	BLOWER PLATE	32035	2	32035	2	32035	2
11	BLOWER, MOTOR	10521	2	10521	2	10521	2
12	TRANSITION COLLAR FOR 10" VENT	60356	1	60356	1	60356	1
*NOT SHOWN	4" VENT HOOD SPACER	SSVH-36-SP4	1	SSVH-48-SP4	1	SSVH-60-SP4	1
NOT SHOWN	VENT HOOD MOTOR COVER	31803	1	31803	1	31803	1
NOT SHOWN	WIRE HARNESS, BLOWER	10589	1	10589	1	10589	1
NOT SHOWN	WIRING HARNESS KIT	10531	1	10532	1	10533	1

\*SOLD AS AN ACCESSORY ITEM

# EXPLODED VIEW



# IMPORTANT SAFETY INSTRUCTIONS

---

## -IMPORTANT SAFETY INSTRUCTIONS -

### AMD DIRECT HOODS ARE FOR RESIDENTIAL USE ONLY!

### CAUTION: FOR GENERAL VENTILATION USE ONLY. DO NOT USE TO EXHAUST HAZARDOUS OR EXPLOSIVE MATERIALS OR VAPORS.

1. Use this unit only in the manner intended by the manufacturer. (If you have questions, contact Summerset at 800.966.8126)
2. Before servicing or cleaning this unit, switch power off at service panel and lock the panel to prevent power from being switched on by accident. If the service panel cannot be locked, securely fasten a prominent warning device, such as a tag, to the service panel.

### WARNING: TO REDUCE THE RISK OF RANGE TOP GREASE FIRE, PLEASE OBSERVE THE FOLLOWING:

1. Never leave surface units unattended at high settings.
2. Oil-overs can cause smoking and may ignite. Heat oils slowly on low heat.
3. Always turn hood ON five minutes prior to cooking to begin airflow.
4. Clean ventilation filters frequently. DO NOT ALLOW GREASE TO ACCUMULATE ON FAN OR FILTER.
5. Use proper pan size. Always use cookware appropriate for the size of the burner or element.

### WARNING - IN THE EVENT OF RANGE TOP GREASE FIRE, OBSERVE THE FOLLOWING:

1. Smother the flames with a close-fitting lid, cooking sheet or other metal tray, and then turn off the burner. BE CAREFUL TO PREVENT BURNS. If the flames do not go out immediately, EVACUATE AND CALL THE FIRE DEPARTMENT.
2. NEVER PICK UP A FLAMING PAN.
3. MAKE SURE YOUR VENTILATION SYSTEM IS COMPLETELY TURNED OFF. DO NOT TURN HOOD ON TO TRY AND EVACUATE SMOKE.

4. DO NOT USE WATER, including wet dishcloths or towels - a violent steam explosion may result.
  - Use an extinguisher only if:
  - You know you have a class ABC extinguisher and you already know how to operate it.
  - The fire is small and contained in the area where it started.
  - The fire department is being called.
  - You can fight the fire with your back to an exit.

### HANDLING PRECAUTIONS

- Remove all rings, watches, belt buckles, jewelry and any clothing with metal buttons or snaps to prevent damage to hood.
- DO NOT REMOVE HOOD FROM ITS ORIGINAL CARTON UNTIL YOU ARE READY TO INSTALL IT.
- When you are ready to begin the installation
- Process, remove the hood from its carton and place it on a clean soft blanket.
- Inspect the hood carefully for any damage or imperfections before you begin to install the hood. If any damage or imperfections exist, re -carton the
- Hood and call your dealer IMMEDIATELY. Do not install a damaged hood.
- It is highly recommended that rubber gloves be used to prevent scratches on the hood and to provide you with a firm grip.
- When removing the hood from the carton, locate the filters. The filters are not pre -installed in the hood. The filters are in a box marked filters inside the hood carton.
- RVH model hood series can be ducted to the top or the rear. Check product guide for additional transitions, wall caps and roof caps.
- All Summerset ventilation hoods have a variable speed control blower switch as well as a light dimmer switch.

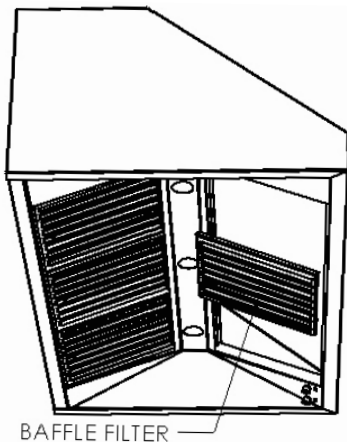
### NOTE TO INSTALLER:

- To avoid damage that will not be covered under warranty make sure blowers are free from obstructions (packing and debris) prior to running the blowers. Test run blowers before finalizing installation. Check with manufacturer before attempting to use blower systems other than AMD Direct blower systems. (800.966.8126 for technical information).

## CLEANING AND MAINTENANCE

Your hood will not function properly if not cleaned regularly and maintained properly. Clean the filters regularly (at least twice a month or every 24 hours of use) by soaking them in soapy water and rinsing them in the dishwasher at the normal cycle. When the filters are removed, the accessible interior of the canopy can be cleaned of grease, again using only soap and water. Burned out halogen light bulbs are exchanged in the same way as normal light bulbs. They should not be touched with bare hands due to high heat and hand oils that can burn out the bulb. Make sure to replace them with the same type and wattage. (Replacement Halogen bulbs are Par16 60w 115v)

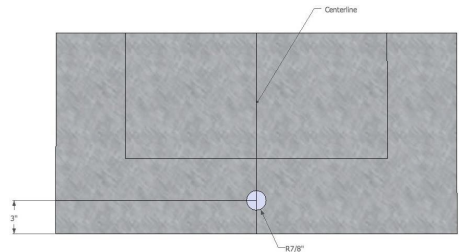
Make it a habit to turn on the hood on low speed even when you are only boiling water. The cleaning of the outside of the hood depends on the material used as a decorative exterior. For stainless steel and powder coated metals, clean with soap and water only. Do not use abrasive or aggressive chemicals! Check the outside end of the duct at least once a year. Make sure that the back-draft damper (sold separately) hinges are free of grease and move easily. If you have an insect screen installed in the duct termination, make sure that it is not broken or dislocated. Filters are dishwasher safe or you may hand wash them with warm soapy water.



**INSPECT ALL MOLDED PACKAGING AND BOXES FOR PARTS BEFORE DISCARDING. ANY DAMAGE MUST BE REPORTED BEFORE INSTALLING THE HOOD. ONCE THE HOOD HAS BEEN INSTALLED, NO RETURN WILL BE ACCEPTED.**

### PLANNING THE LOCATION FOR YOUR AMD DIRECT HOOD

Select the proper height to mount the hood. Take into consideration the stature of the person or persons who will be cooking. A height of 30" to 36" above the cooking surface will suit most users. If mounted at a height greater than 36" above the cooking surface, the hood should be at least 6" wider than the cooking appliance to provide a proper capture of heat and grease. (Refer to the range manufacturer's guidelines) Once the proper height is established, draw a level line where the bottom of the hood will rest. If practical, mount a board equal to the width of the hood along the line so you may rest the hood on it while installing. Mark a centerline on the wall equal to the entire height of the hood to assist with the proper duct alignment and hood placement. Determine stud location and mark it clearly. If only one stud can be located, toggle bolts or additional fastening must be installed to firmly secure the hood to the wall. Install a 115v 15amp electrical lead in the hole marked on the Rough -in diagram. (Fig. A) The hole is located on the centerline of the hood. The center of the hole is 3" up from the bottom of the hood and the radius is 7/8".



# INSTALLATION

## INSTALLATION OF INTERNAL BLOWER KIT (SSVHBL-1200).

Locate connector on motor wiring and connector on hood located near the electrical box. Plug motor connector into hood connector

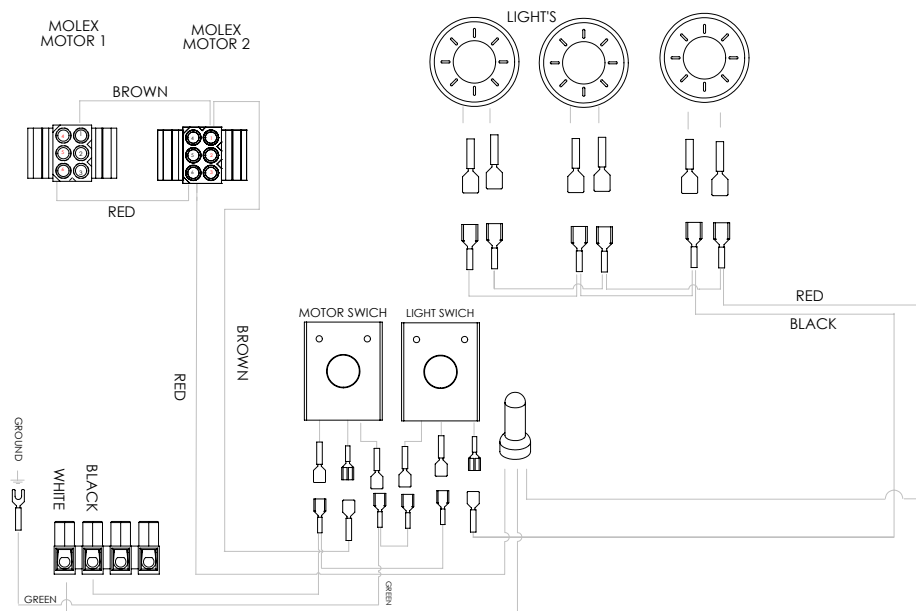
## INSTALLATION OF IN-LINE OR REMOTE BLOWER

Using the harness supplied with your AMD Direct in-line or remote blower, plug into connector located near canopy electrical box. Make all connections between supplied harness and wiring connected to the blower using wire nuts (not included) inside of canopy electrical box.

**\*A LICENSED ELECTRICIAN SHOULD MAKE ALL ELECTRICAL CONNECTIONS\***

## WIRING DIAGRAM

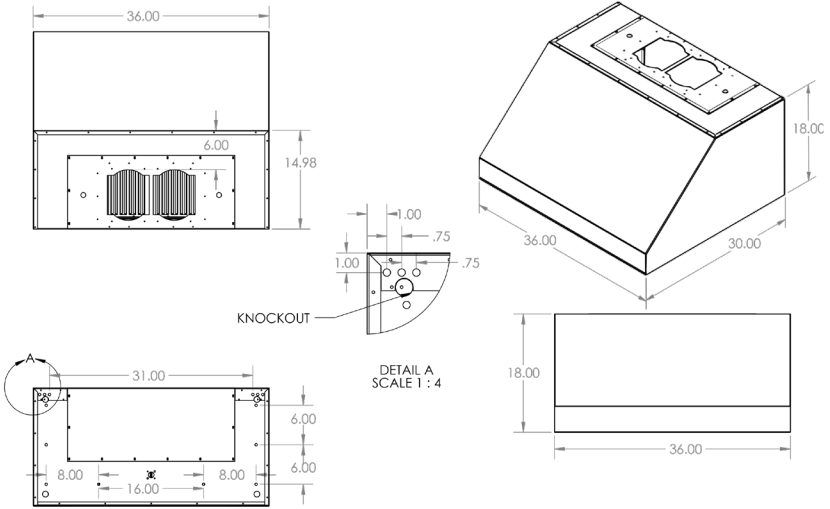
Connect wires from 115V supply using wire nuts (not supplied). Connect ground lead to supplied ground screw inside the electrical box. Secure cover onto electrical box. Test for proper function.



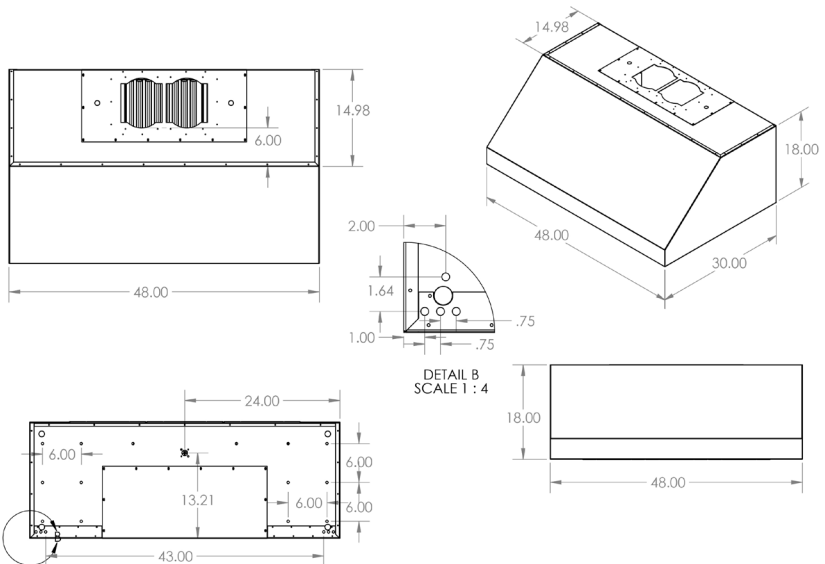


# DIMENSIONS

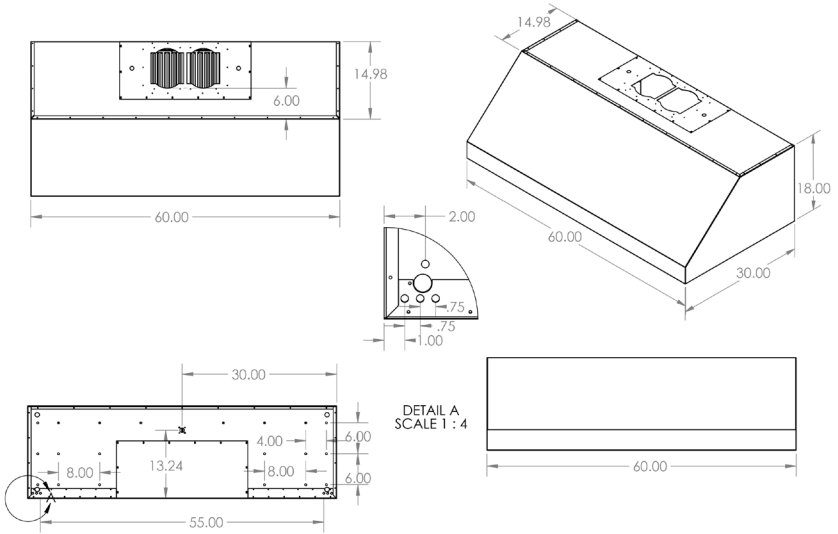
## SSVH-36



## SSVH-48



SSVH-60



**WARRANTY**

AMD Direct will warranty all parts for the term of one (1) year. The one (1) year warranty period applies to the actual parts. AMD Directs Warranty is valid for original purchaser at original site of delivery with proof of purchase and photo documentation only. Registration form must be submitted within 30 days of the purchase date to validate the warranty. Warranty is void upon transfer of ownership. Warranty does not apply to products installed in any commercial, rental, on non-residential application. Warranty covers replacement parts only. Manufacturer is not responsible for labor or labor related costs. Warranty does not cover discoloration, surface rust, corrosion, or oxidation which may occur due to harsh environments, chemicals, or overheating. Warranty will not apply for damage resulting from improper installations, abuse, extreme environments, grease fires, or misuse. Regular and proper maintenance is required. Coastal, humid, and/or salt environments are subject to manufacturer review. All out-of-box claims must be made within 30 days of purchase and must be made prior to installation. Any product installed damaged will be considered damaged during installation and not covered under warranty. Warranty and registration forms are available at [www.amddirect.com](http://www.amddirect.com).

**WHAT IS NOT COVERED?**

Items not covered in the warranty include: halogen bulb, items fabricated to customer design, consequential damage, removal and re-installation, abnormal travel outside the service area, including but not limited to: remote area transport, ferries or excessive mileage. If any of these situations apply, the customer will be responsible for payment in full and said exclusion

**FOR ANY QUESTIONS OR CONCERNS PLEASE CONTACT THE FOLLOWING:**

AMD Direct  
14520 Delta Lane Ste. 105  
Huntington Beach Ca, 92647  
[www.amddirect.com](http://www.amddirect.com)  
1.800.966.8126

# WE MAKE IT ALL

AMD Direct strives to meet every outdoor living expression. We offer a wide range of products from grills, refrigeration, sinks, accessories and more. Our goal is to ensure you have everything you need to create your perfect outdoor atmosphere. No matter the style or budget, AMD Direct will deliver an experience that will help create the ultimate backyard getaway.



## ACCESSORIES

AMD Direct's full line of stainless steel outdoor kitchen components makes sure you have everything you need for the perfect outdoor kitchen experience. Double-lined construction provides the extra insulation and resilience needed against the elements, soft closing drawers offer a luxurious feel, and a thicker flange provides a sturdy, seamless fit and elegant style that will work with any countertop and island finish.



## REFRIGERATION

AMD Direct offers a wide variety of luxury stainless steel refrigerators, wine coolers, and kegerators. With up to 6.6 cubic feet of storage, these appliances will help keep your food fresh, wine chilled, and beer flowing, bringing the function of your indoor refrigeration outside to join the party.



## SINKS & BAR PREP

Take your outdoor kitchen to the next level with our sinks and ice chests. The Beverage Center is complete with an ice compartment, sink, towel holder, speed rail with condiment tray, LED lights, and a built-in bottle opener. When you're grilling, we want to make sure you have everything you need conveniently on hand.

AMD Direct 