

HermanMiller

Nevi Gaming Desk



IMPORTANT!

PLEASE READ THIS GUIDE THOROUGHLY BEFORE BEGINNING INSTALLATION.

IT IS STRONGLY RECOMMENDED THAT INSTALLATION BE PERFORMED BY AT LEAST 2 PEOPLE. FAILURE TO DO SO MAY RESULT IN PRODUCT DAMAGE AND/OR PERSONAL INJURY.

PLEASE SAVE THESE INSTRUCTIONS FOR DISASSEMBLY OR RECONFIGURATION.

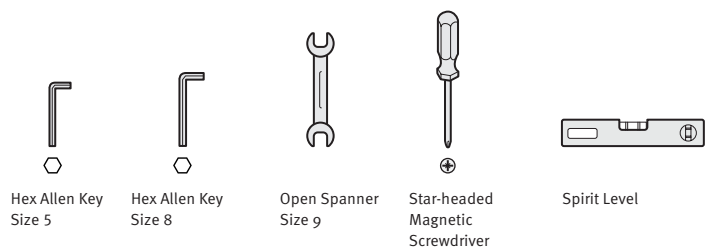
▲ WARNING

PRODUCT IS NOT MADE FOR CHILDREN'S USE!

DO NOT LET YOUR CHILD USE THE HEIGHT ADJUSTMENT UNATTENDED!

How to install your Nevi Gaming Desk

Tools Required



Contents

Safety information	2
Parts Included	3
Identifying the Work Surface Holes	4
Motor Cable and E-Beam Clip Connection	5
Work Surface and Motor Housing Position	6
Control Box, Motor Retaining Bracket and Controller Switch Attachment	7
Cable Routing	8
Motor Housing Attachment	9
Leg and Spacer Plate Position	10
Work Surface Support Attachment	13
Foot, Glide and Centre Beam Attachment	14
Cable Tray Attachment	15
Final Assembly	18
Levelling	19
Height-Adjustment System Set-Up/Reset	20
Control Switch	20
Wiring Diagram	21
Control Box	21
Notes	22
Trouble Shooting and Feedback Click Codes	23

Translations

For translated versions of this document please visit the following links:

UK. cdn.shopify.com/s/files/1/0338/5360/3885/files/nevi_gaming_desk_instructions_en-gb.pdf

FR. cdn.shopify.com/s/files/1/0338/5360/3885/files/nevi_gaming_desk_instructions_fr-fr.pdf

DE. cdn.shopify.com/s/files/1/0338/5360/3885/files/nevi_gaming_desk_instructions_de-de.pdf

IT. cdn.shopify.com/s/files/1/0338/5360/3885/files/nevi_gaming_desk_instructions_it-it.pdf

ES. cdn.shopify.com/s/files/1/0338/5360/3885/files/nevi_gaming_desk_instructions_es-es.pdf



SAFETY INFORMATION



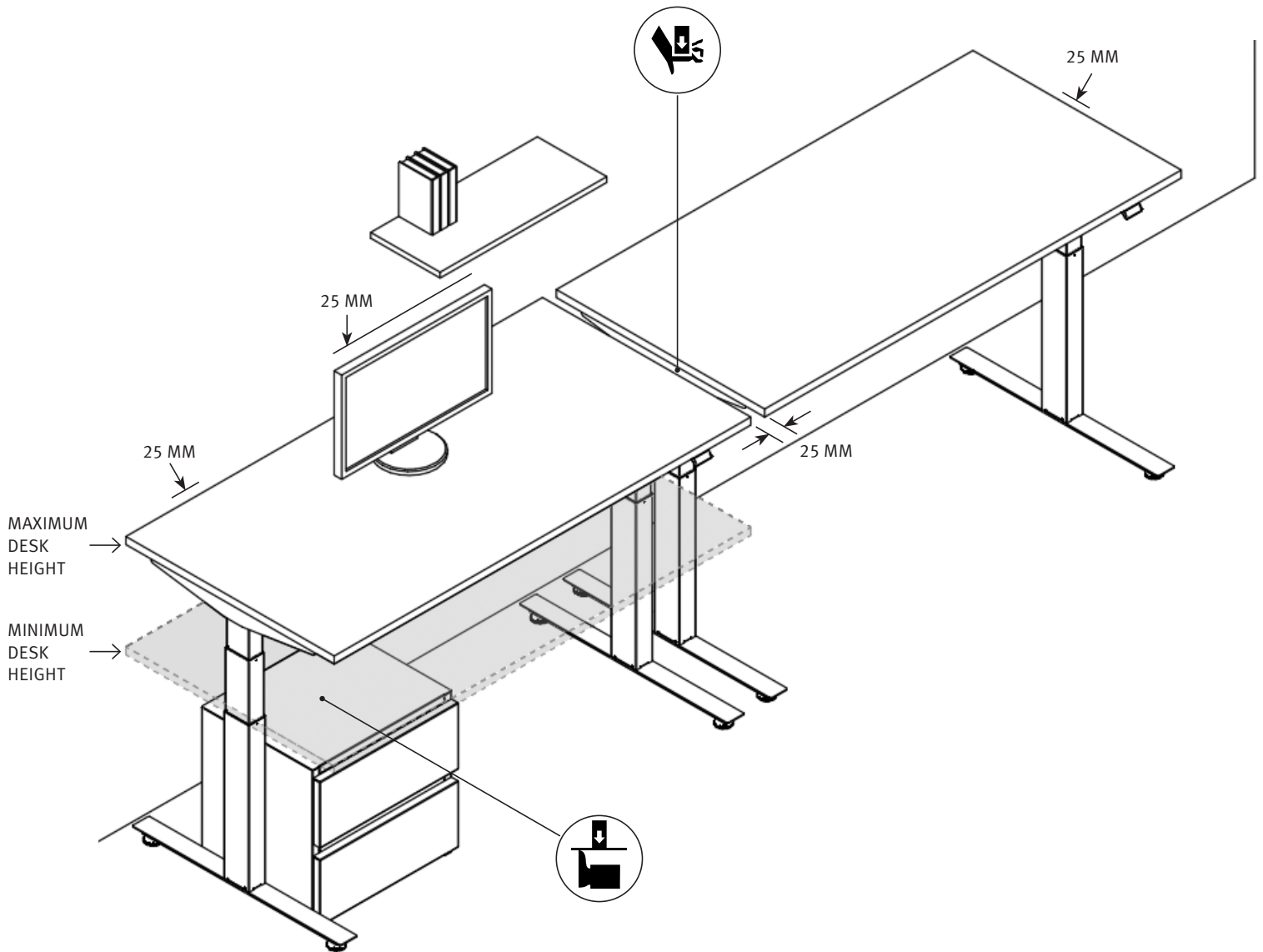
MAINTAIN A 25 MM GAP FROM ALL SIDES OF THE WORK SURFACE EDGE



MOVING WORK SURFACE IS A CRUSH HAZARD

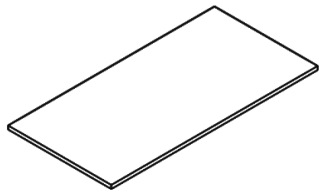


REQUIRES TWO PEOPLE TO LIFT

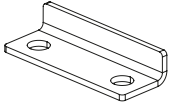


Parts Included

Work Surface Pack – DWGTAN



A. Work Surface (x1)



V. Motor Retaining Bracket (x2)

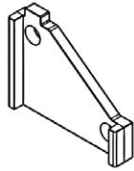


**W. Pan Head Screw
Size: M5 x 20 (x4)**

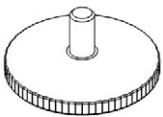
Leg Pack – DWGP14BU/D.07G



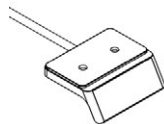
B. Leg (x2)



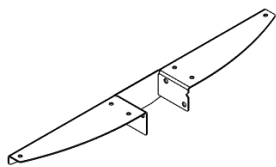
**C. Spacer Plate (x4)
(if applicable)**



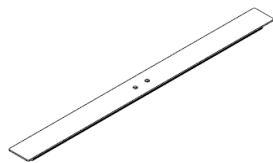
D. Glide (x4)



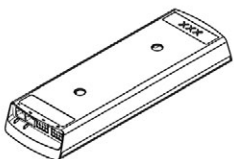
E. Controller Switch (x1)



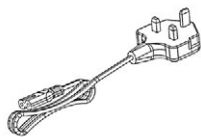
F. Work Surface Support (x2)



G. Foot (x2)

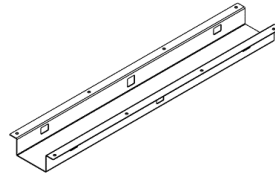


H. Control Box (x1)

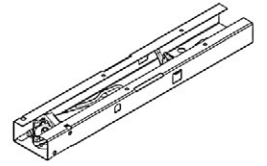


J. Mains Cable (x1)

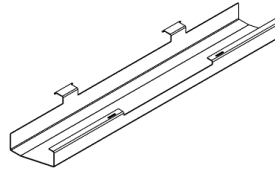
Wire Management Pack – DWGP24.15



K. Centre Beam (x1)



L. Motor Housing Beam (x2)



M. Cable Tray (x1)



N. Motor Cable (x2)



**P. Button Head Screw
Size: M8 x 16 (x8)**



**Q. Socket Head Screw
Size: M10 x 16 (x4)**



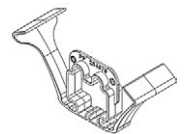
**R. Pan Head Screw
Size: M5 x 20 (x40)**



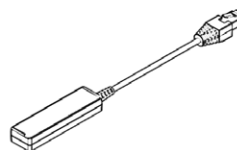
S. Cable Tray Bracket (x2)



T. Self Adhesive Clip (x4)



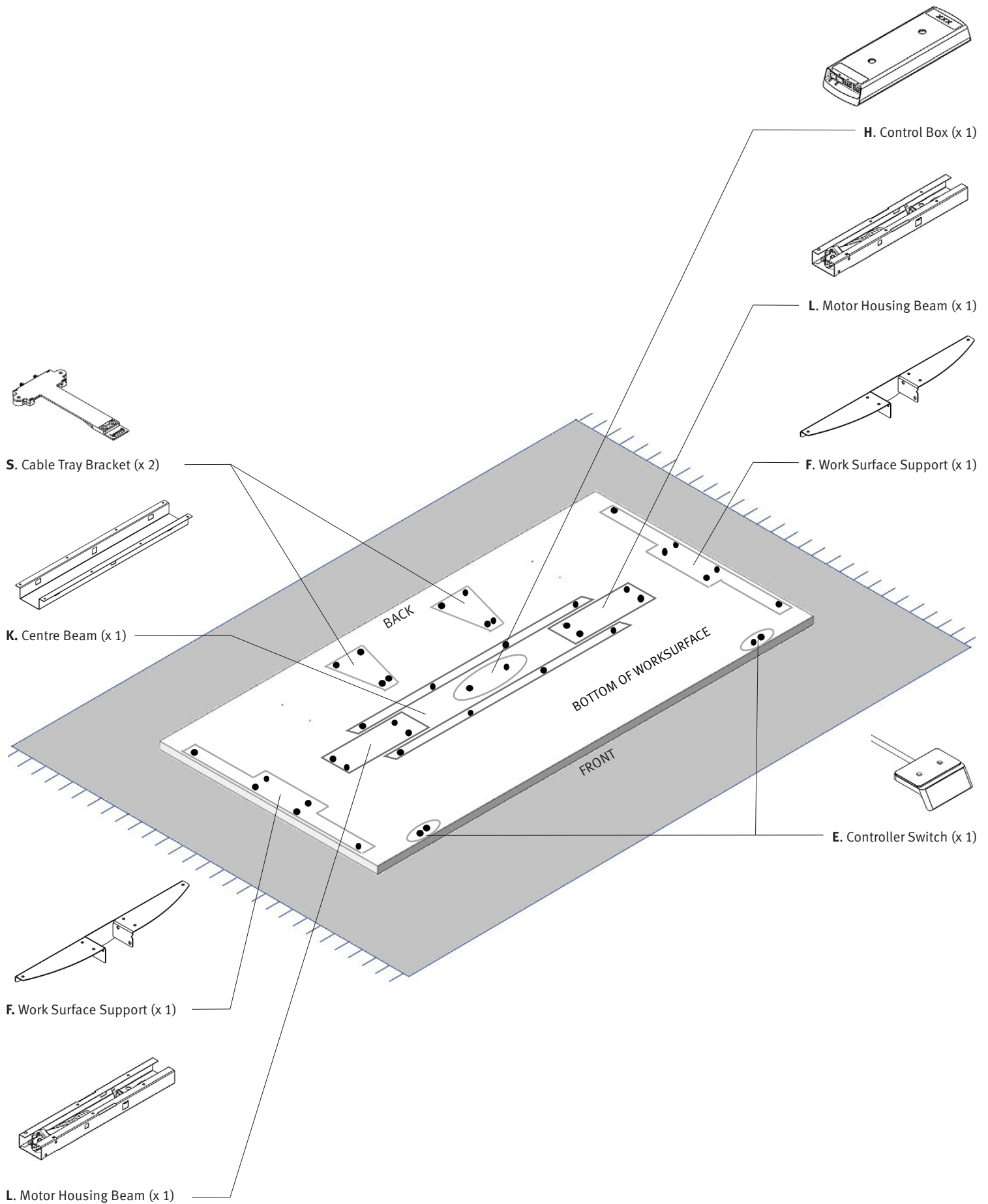
U. E-Beam Cable Clip (x2)



X. Collision Sensor (x1)

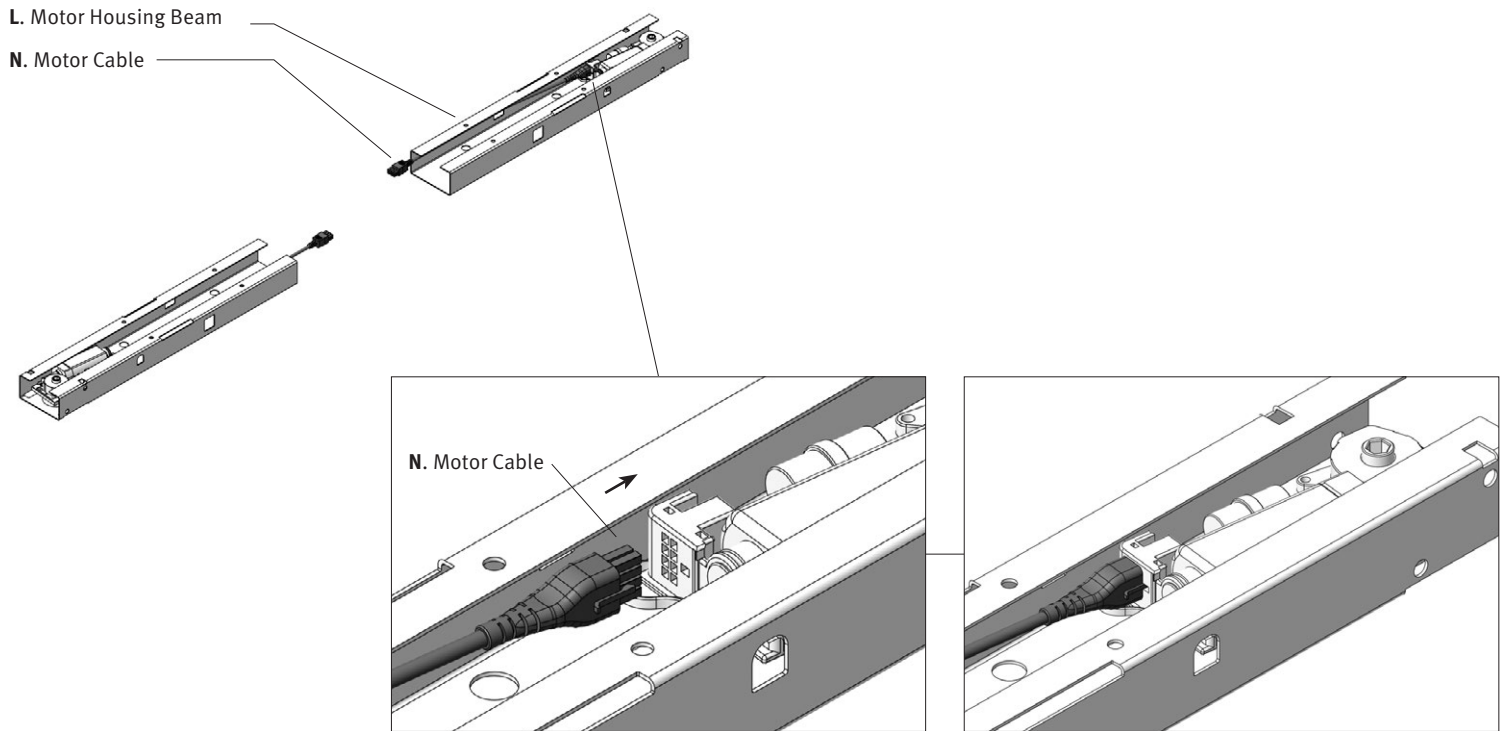
Identifying the Work Surface Holes

● = Screw Holes

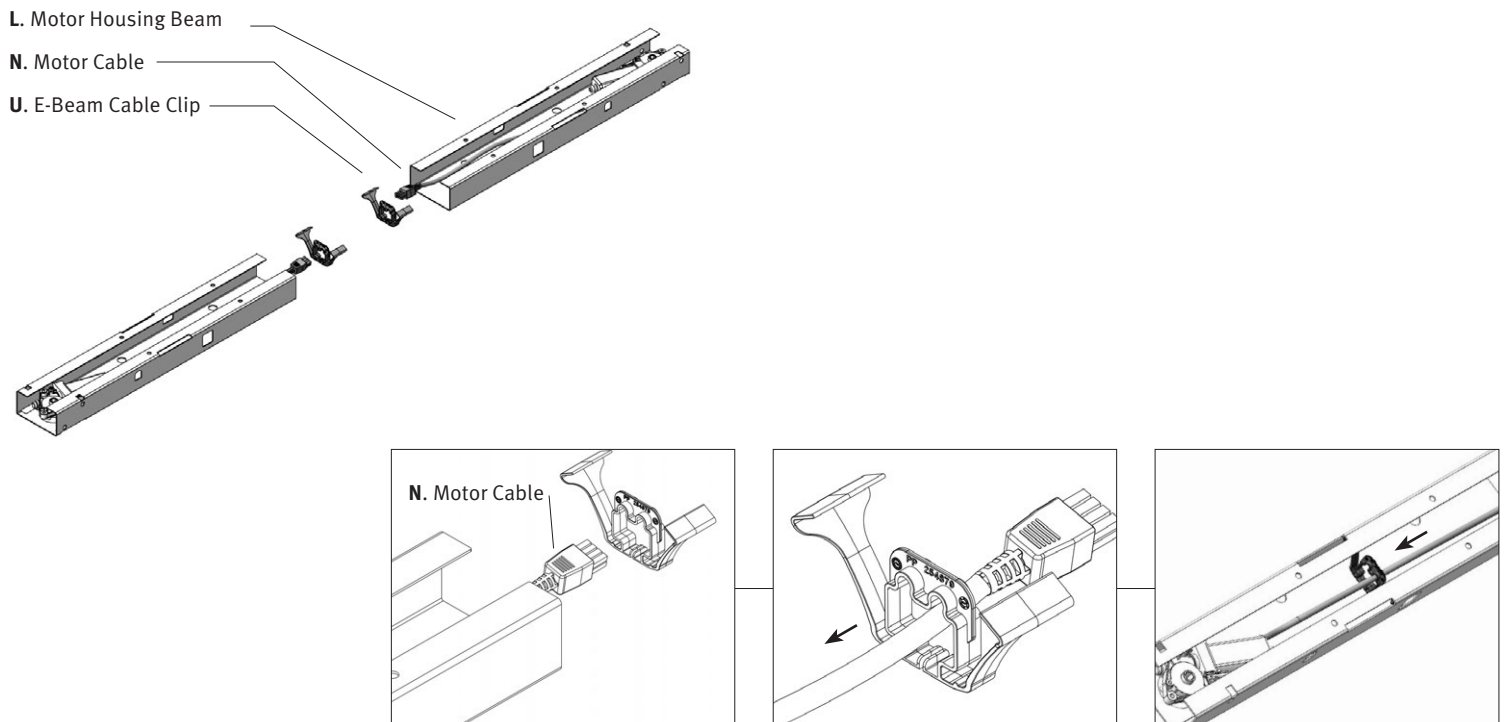


Step 1. Connect the Motor Cable (if applicable)

Please note the motor may be supplied pre-connected, if so please move to step 2.



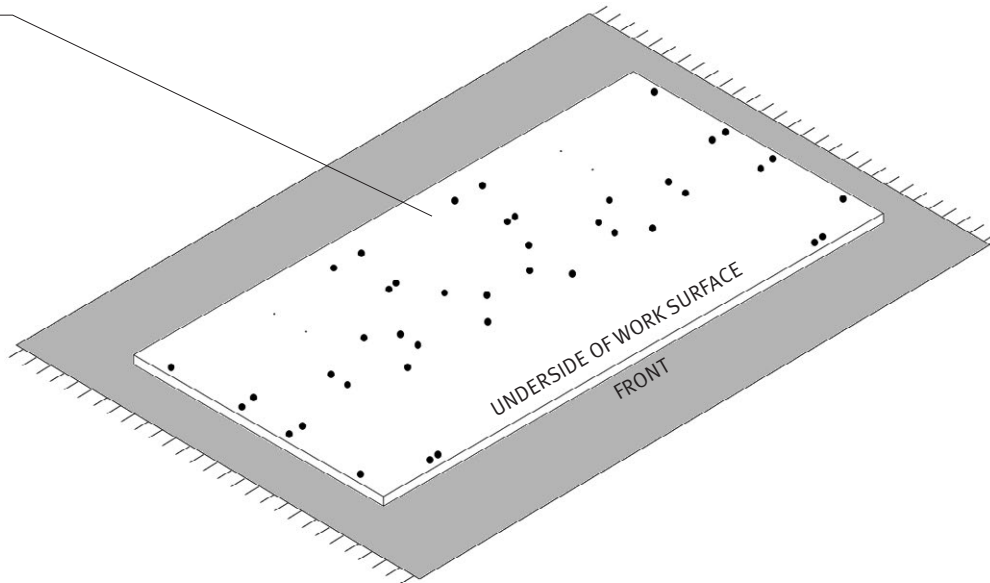
Step 2. Add the E-Beam Cable Clips



Step 3. Position the Work Surface

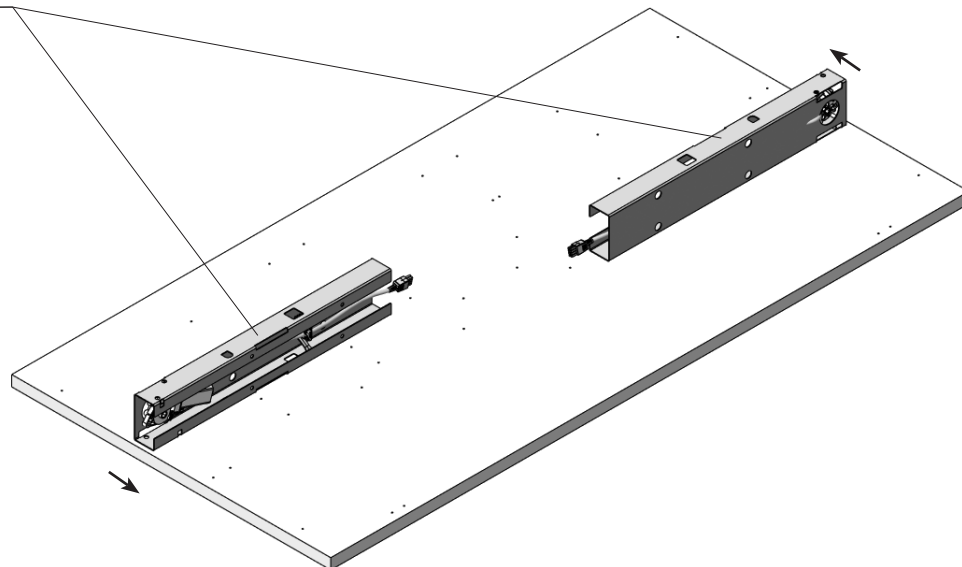
Assemble on a carpet/rug to protect work surface during assembly.

A. Work Surface



Step 4. Position the Motor Housing

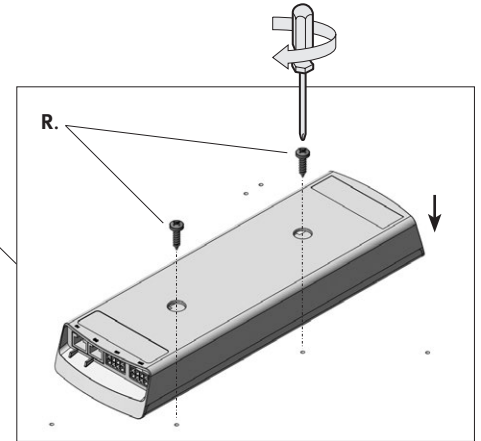
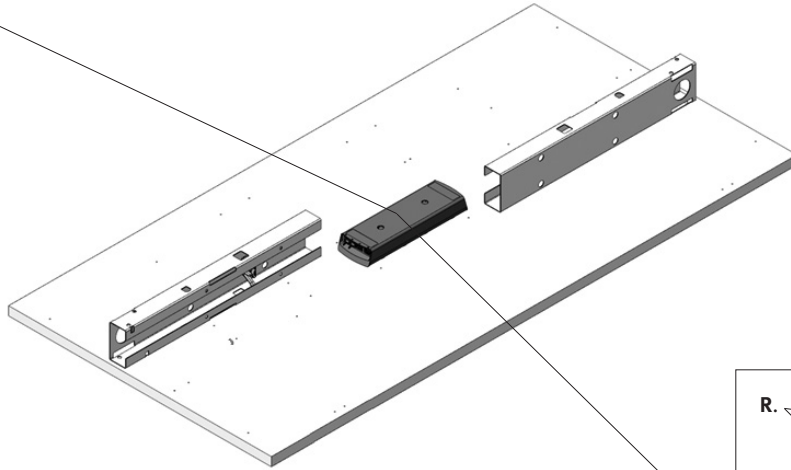
L. Motor Housing Beam



Step 5. Attach the Control Box

H. Control Box

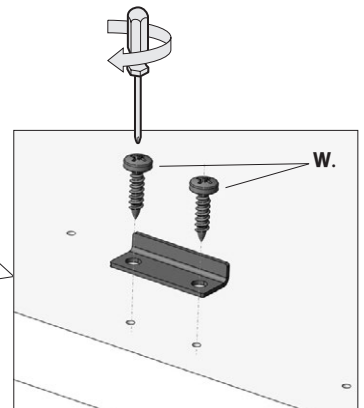
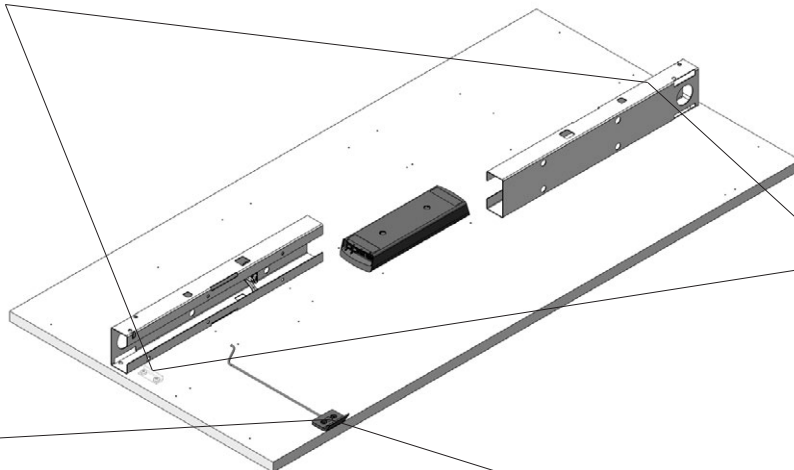
R. Pan Head Screw



Step 6. Attach the Motor Retaining Brackets and Controller Switch

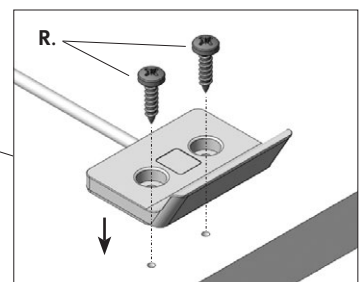
V. Motor Retaining Bracket (x2)

W. Pan Head Screw

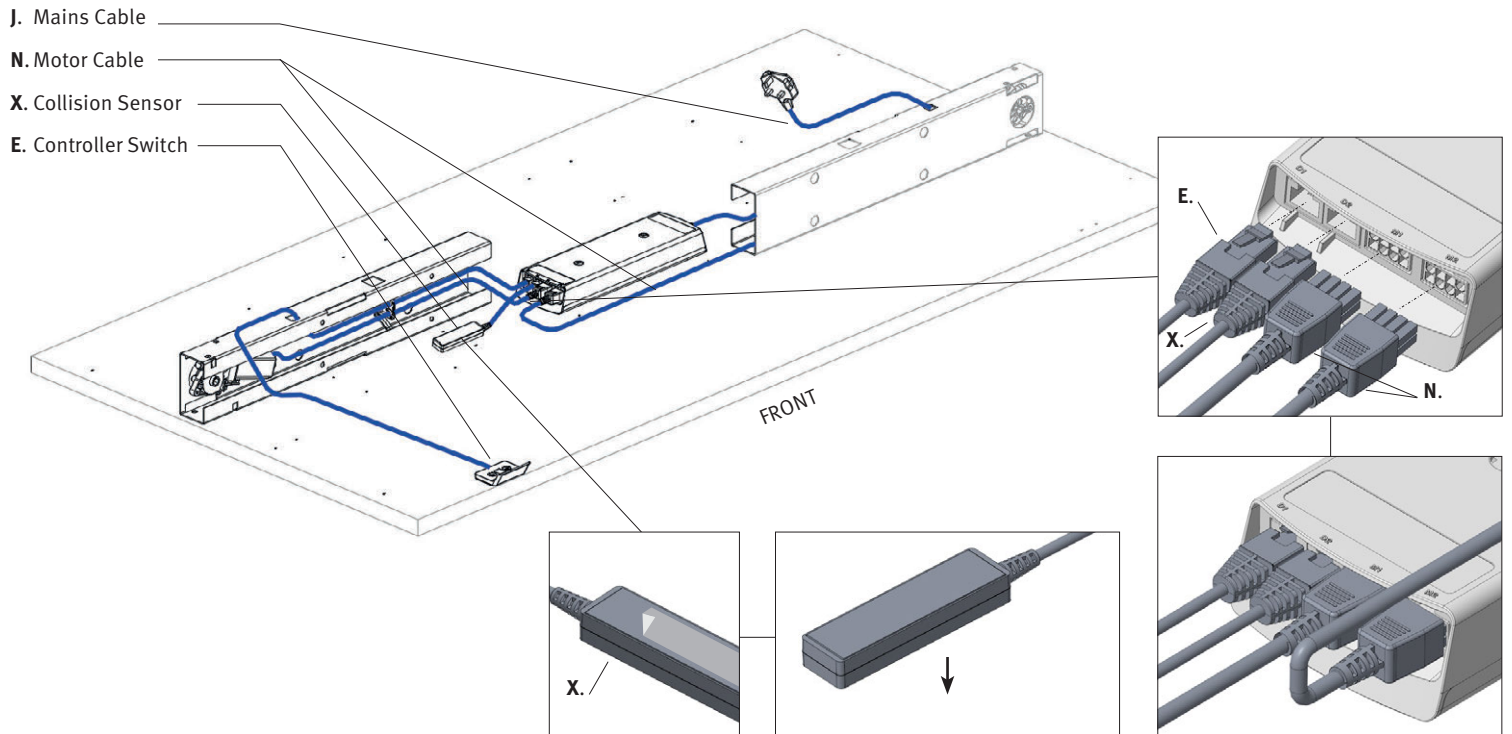


E. Controller Switch

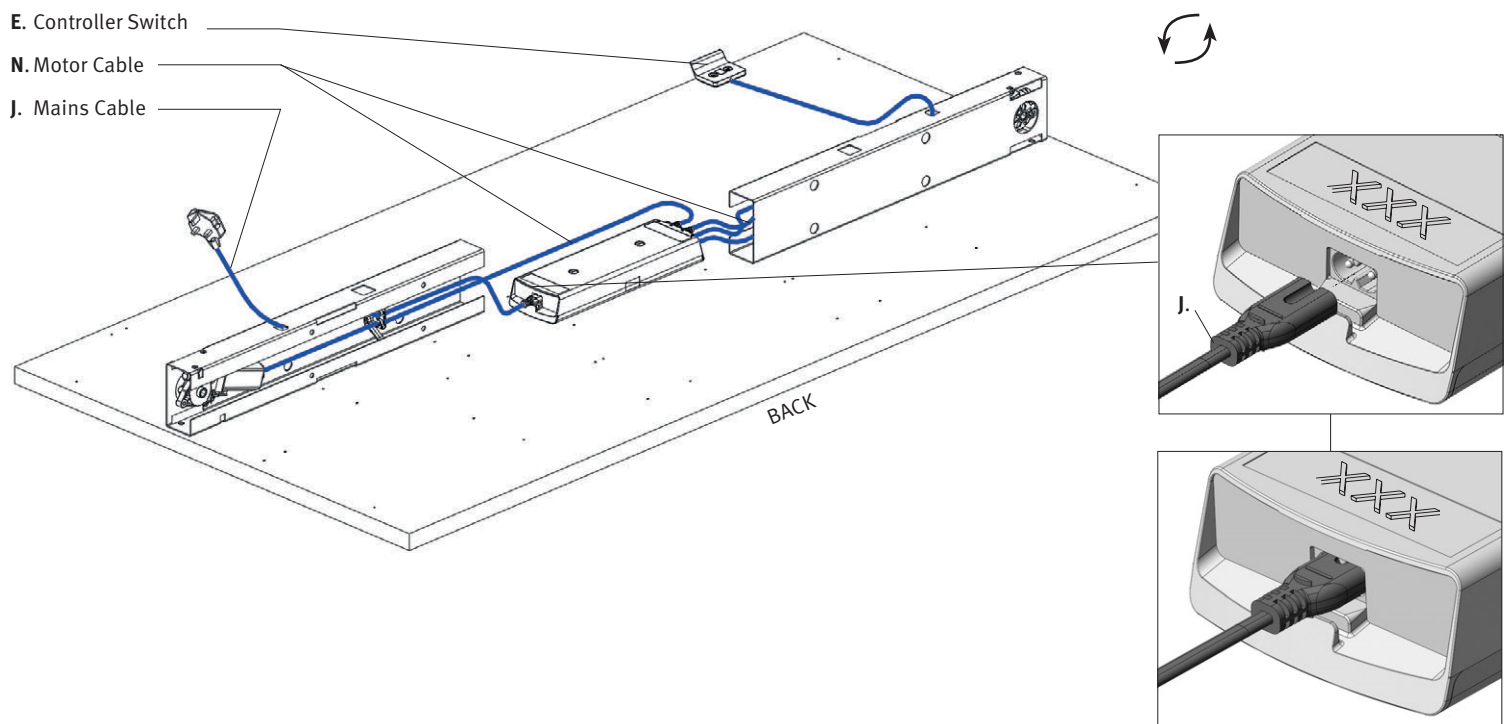
R. Pan Head Screw



Step 7. Route the Cables – Front View

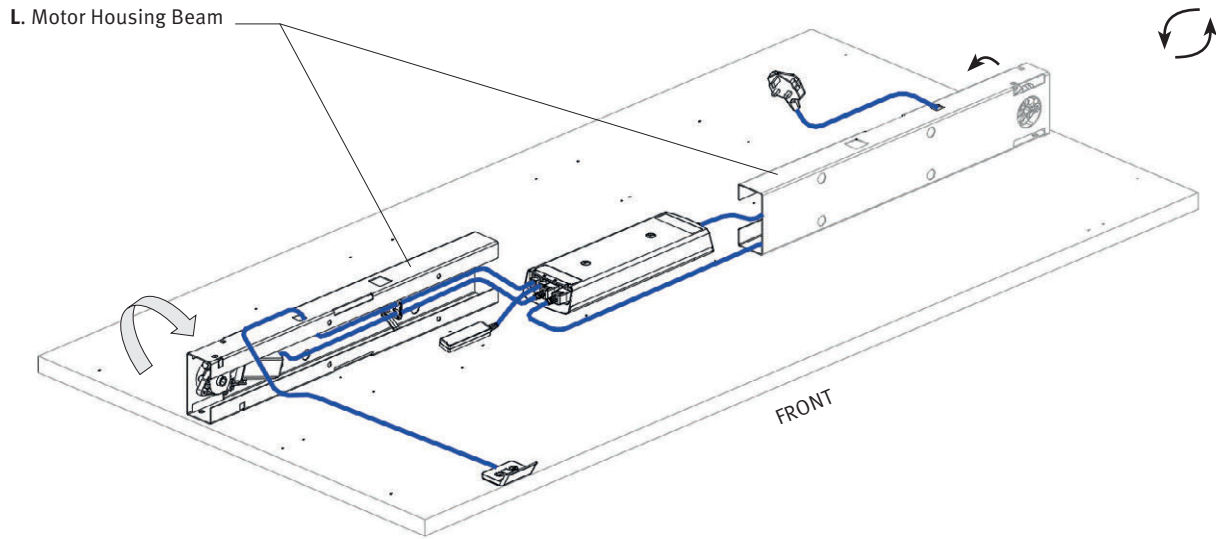


Step 8. Route the Cables – Back View



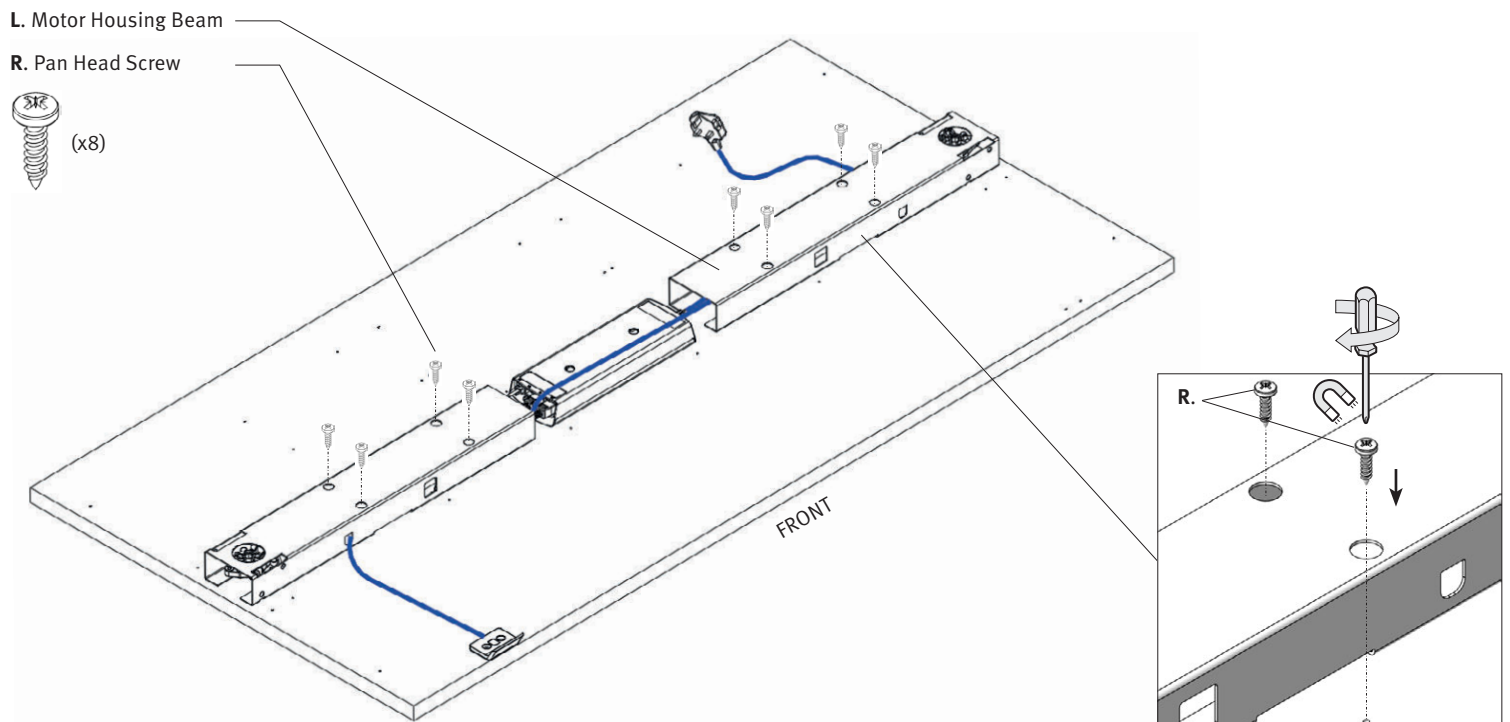
Step 9. Rotate the Motor Housing

Handle with care to avoid damaging cables.



Step 10. Attach the Motor Housing

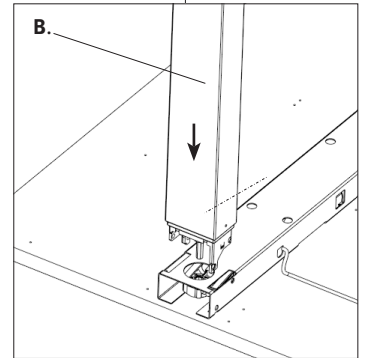
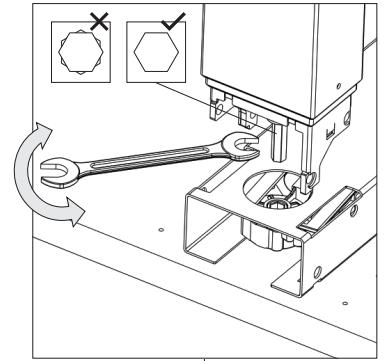
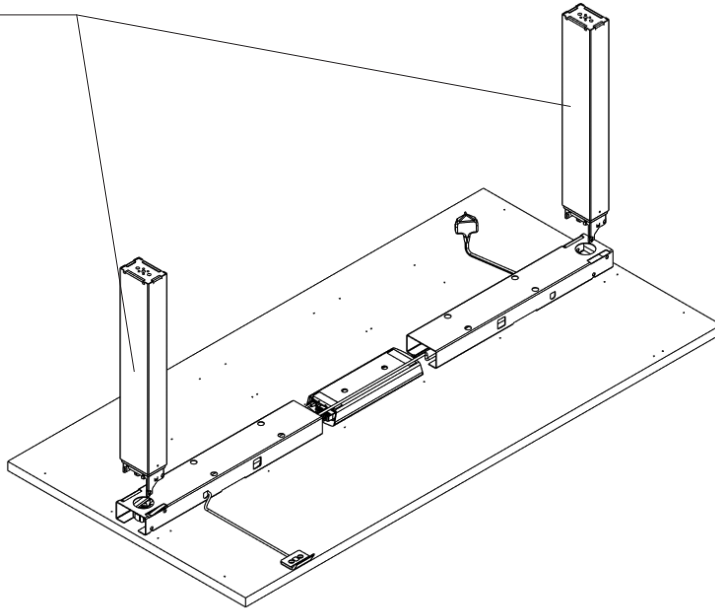
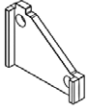
Handle with care to avoid damaging cables.



Step 11. Position the Legs (with Spacer Plate)

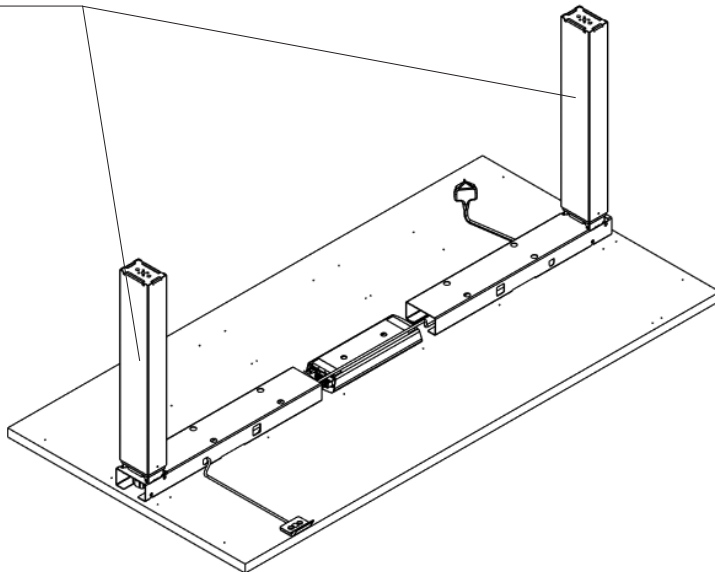
If no spacer plate is included, please move to step 15.

- B. Leg
- C. Spacer Plate

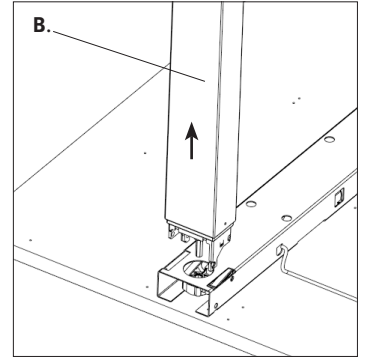
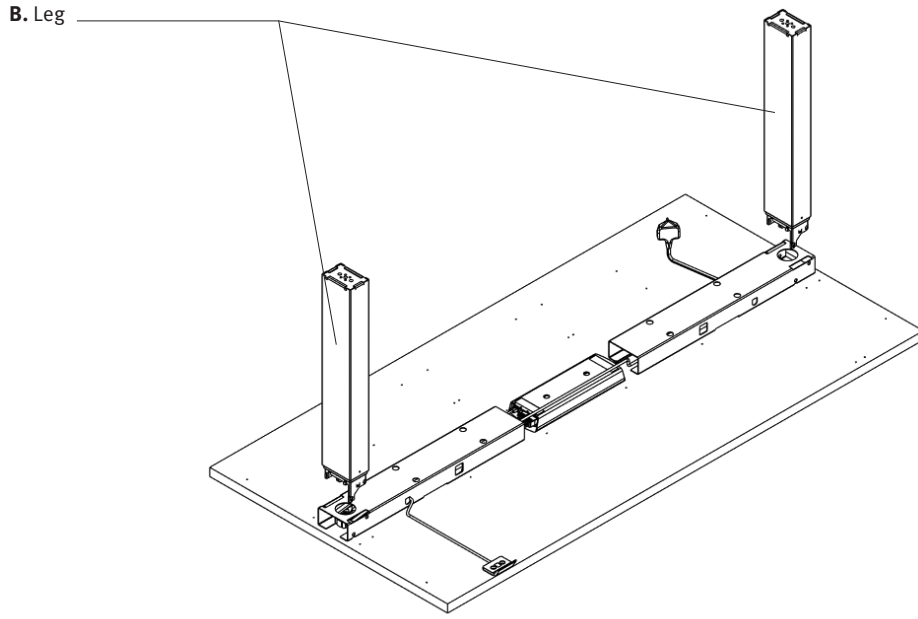


Step 12.

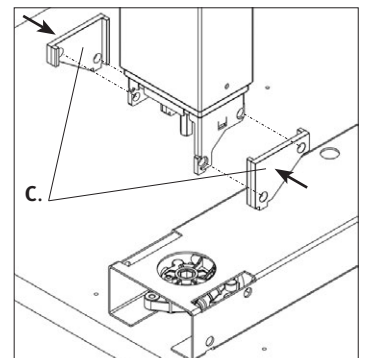
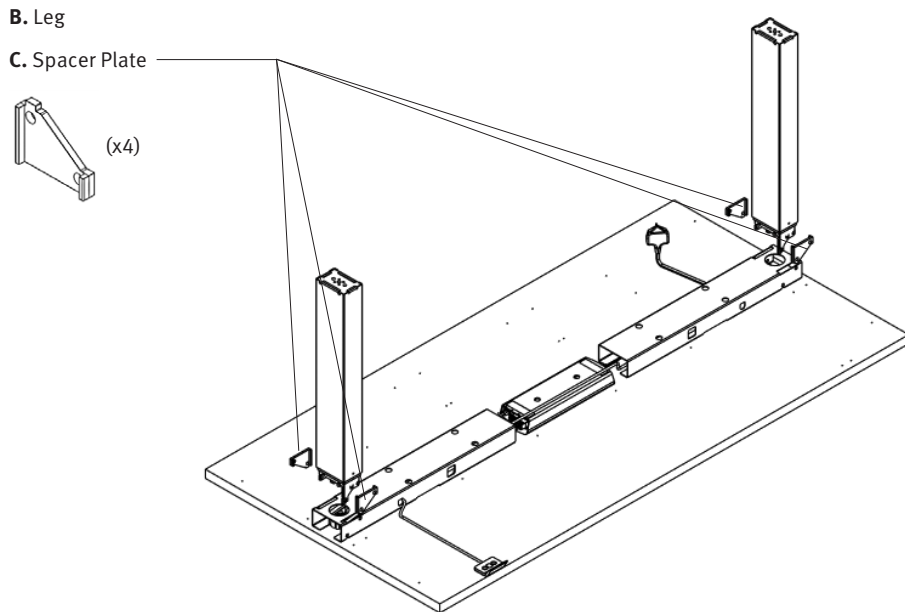
- B. Leg



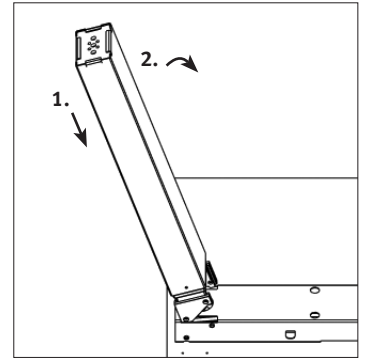
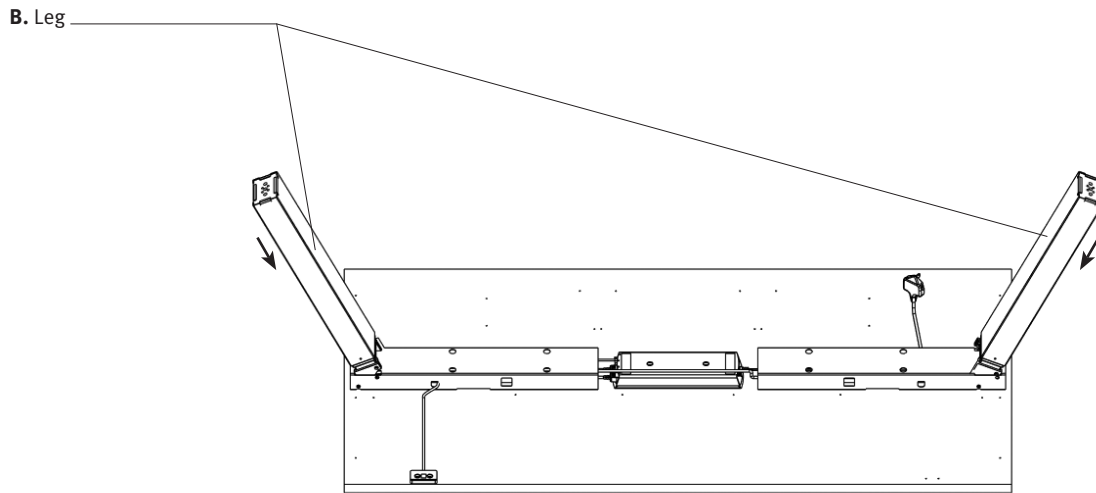
Step 13. Remove the Legs



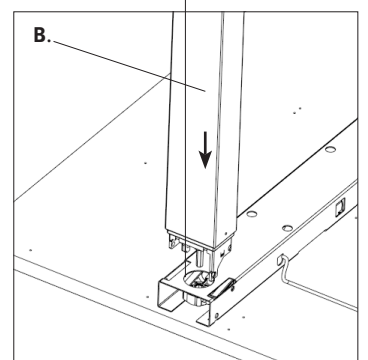
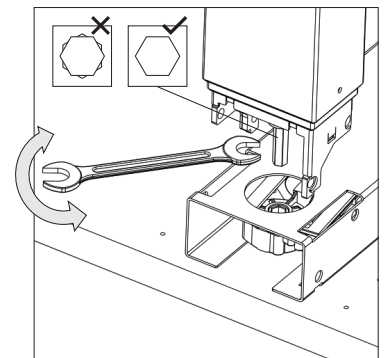
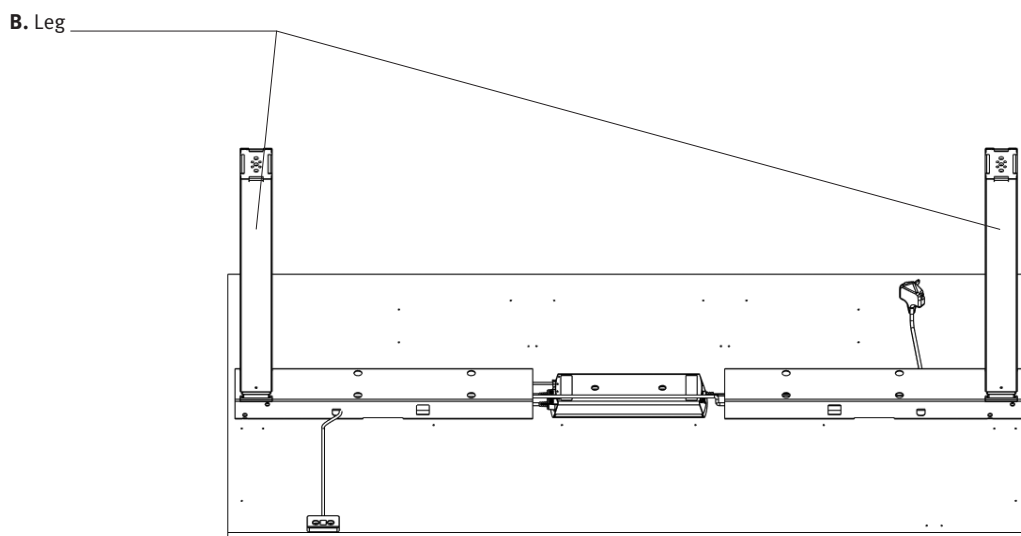
Step 14. Add the Spacer Plate



Step 15. Align the Legs



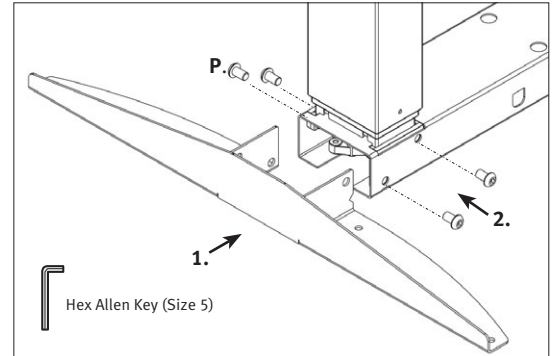
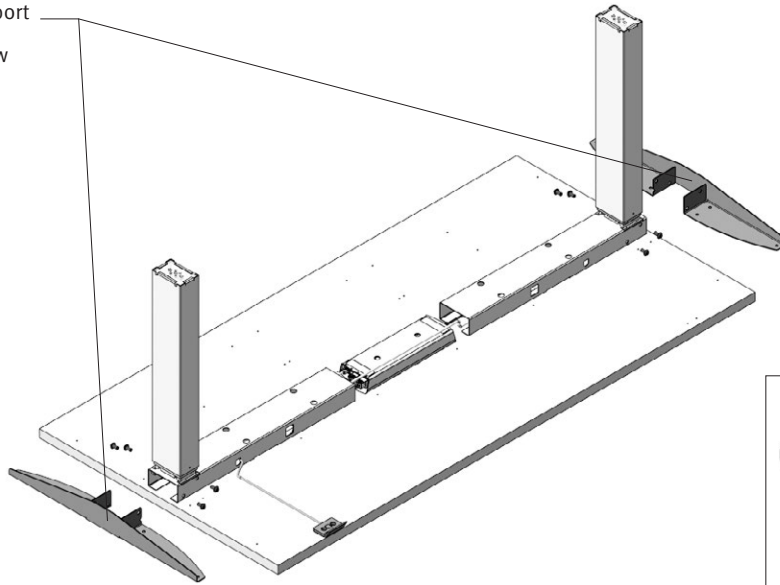
Step 16. Insert the Legs



Step 17. Position the Work Surface Supports

F. Work Surface Support

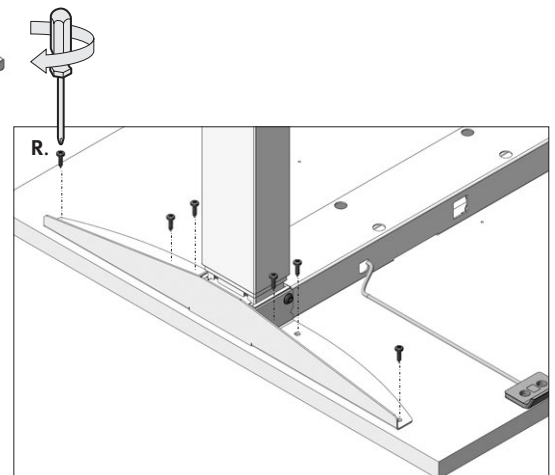
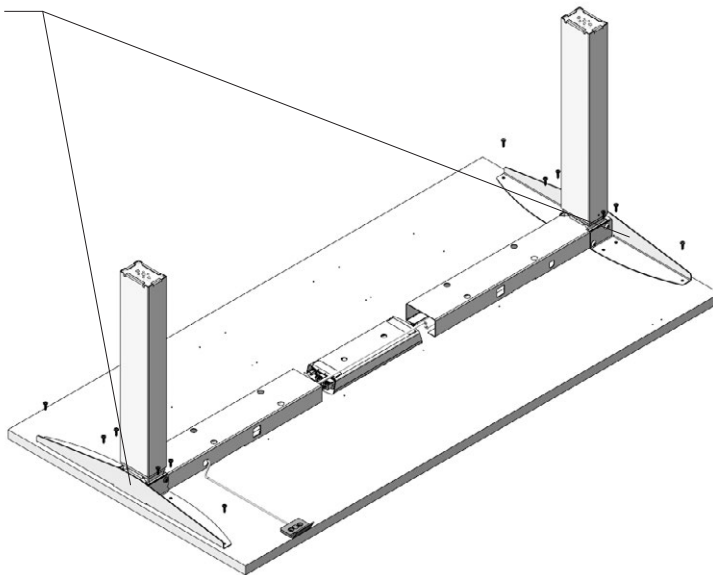
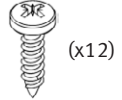
P. Button Head Screw



Step 18. Attach the Work Surface Supports

F. Work Surface Support

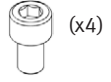
R. Pan Head Screw



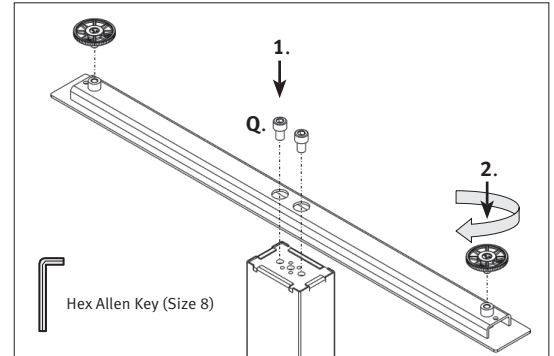
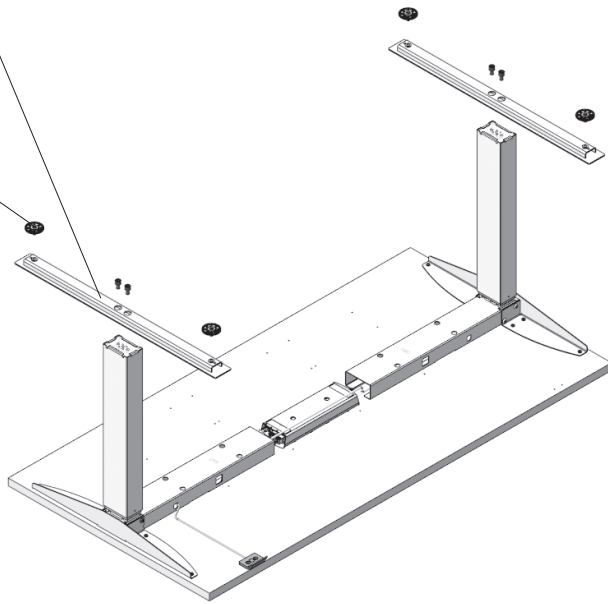
Step 19. Attach the Feet and Glides

G. Foot (x2)

Q. Socket Head Screw



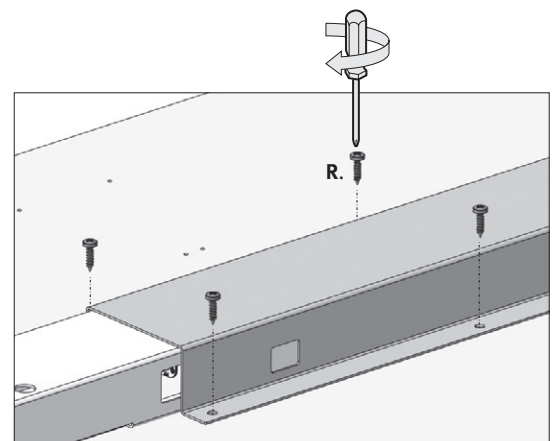
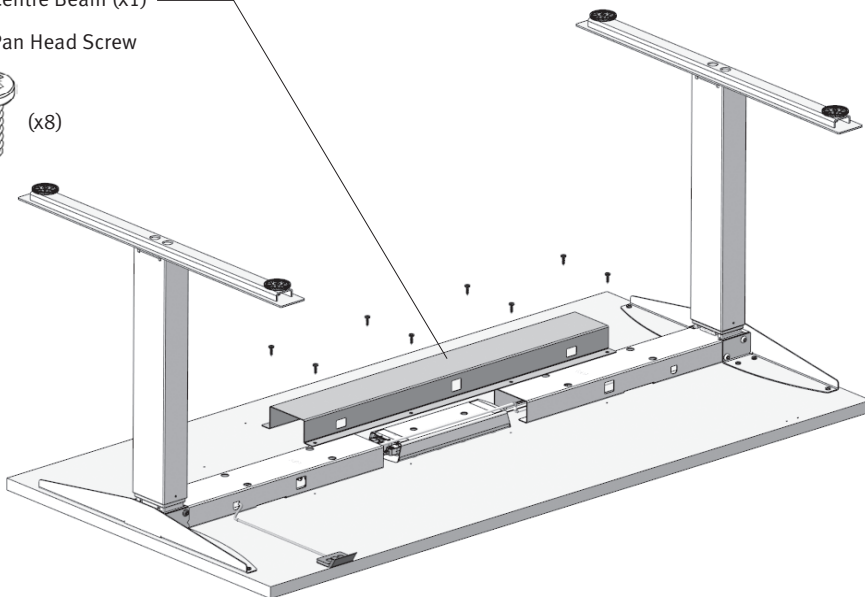
D. Glide (x4)



Step 20. Attach the Centre Beam

K. Centre Beam (x1)

R. Pan Head Screw



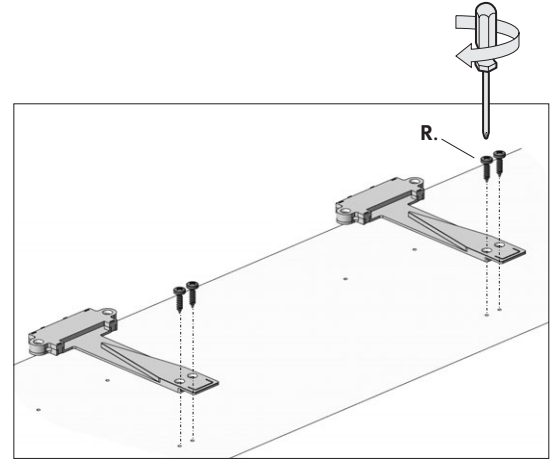
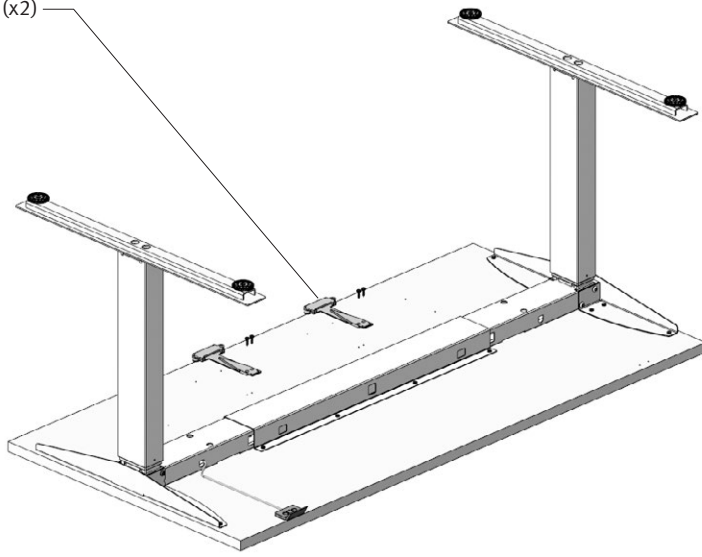
Step 21. Attach the Cable Tray Brackets

S. Cable Tray Bracket (x2)

R. Pan Head Screw

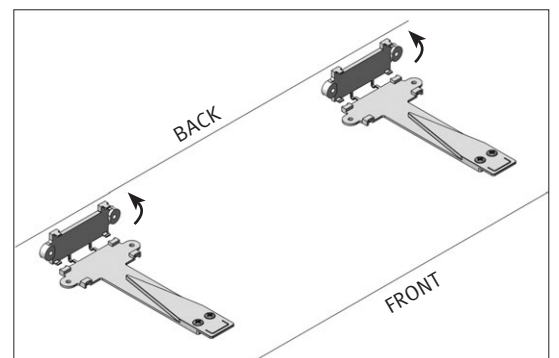
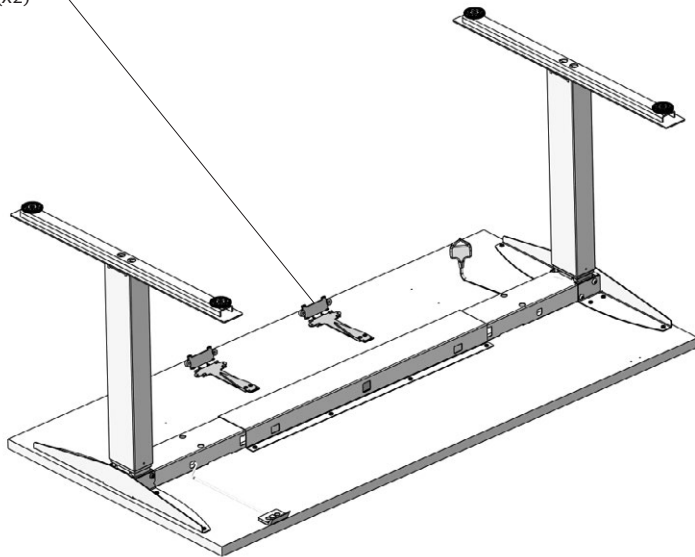


(x4)



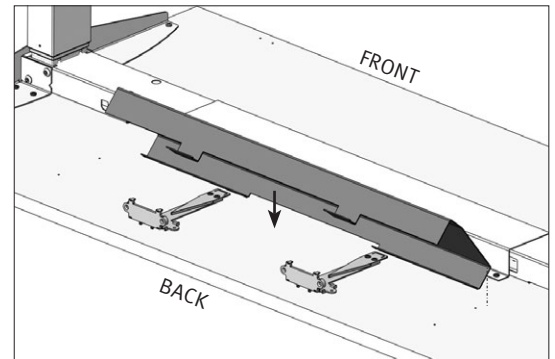
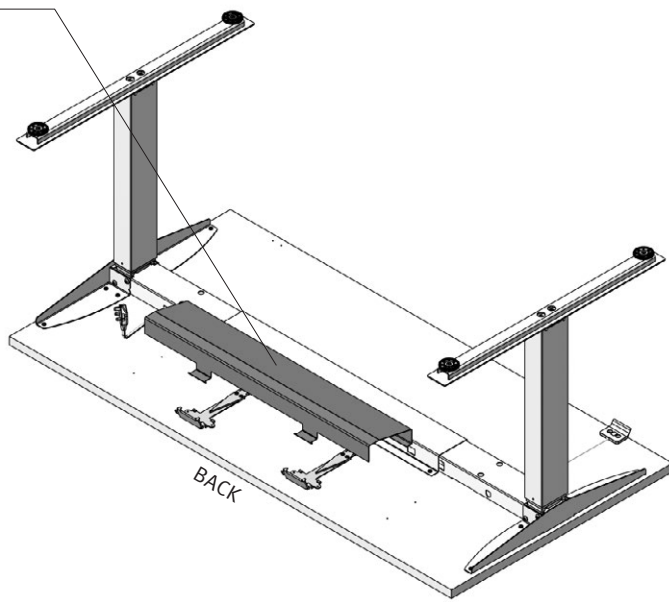
Step 22. Open the Cable Tray Brackets

S. Cable Tray Bracket (x2)

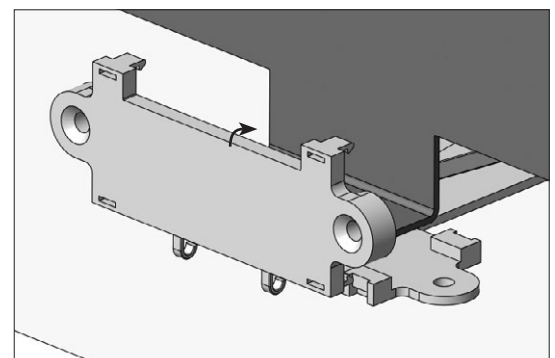
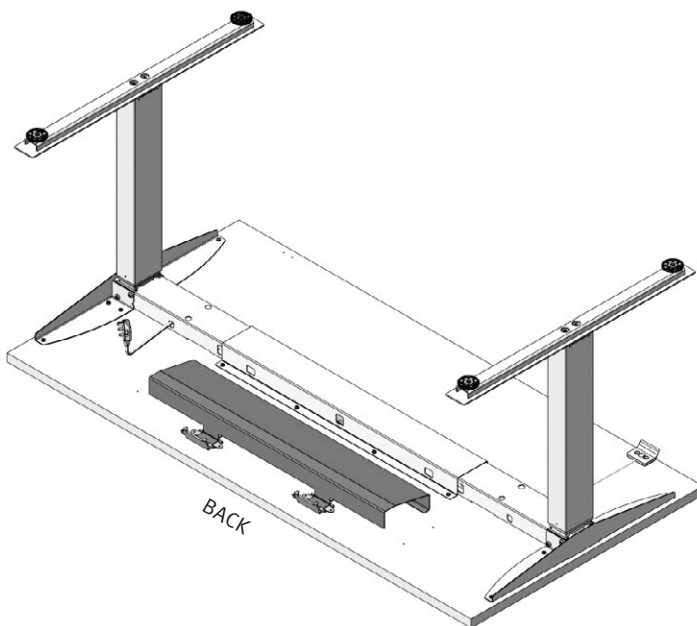


Step 23. Position the Cable Tray

M. Cable Tray



Step 24. Close the Cable Tray Brackets

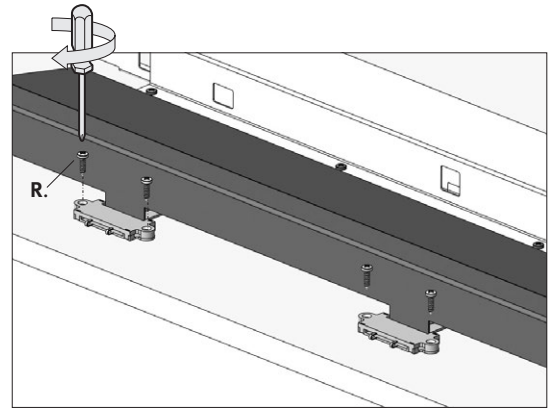
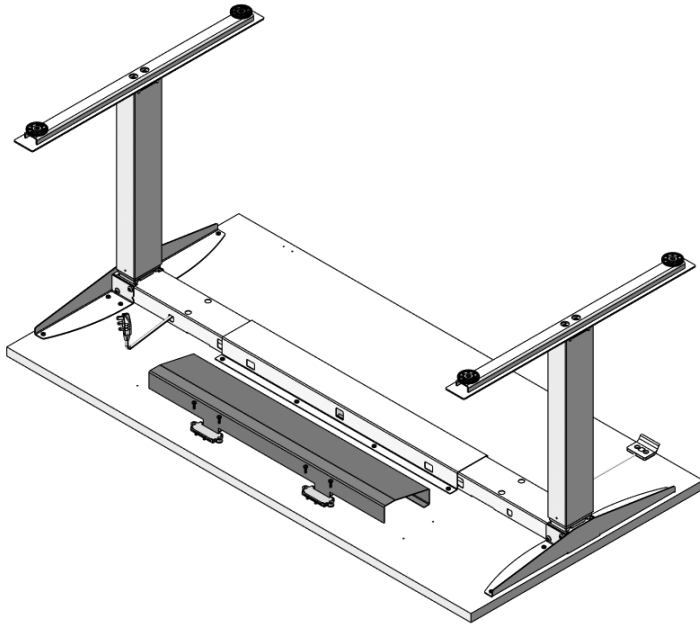


Step 25. Attach the Cable Tray Brackets

R. Pan Head Screw

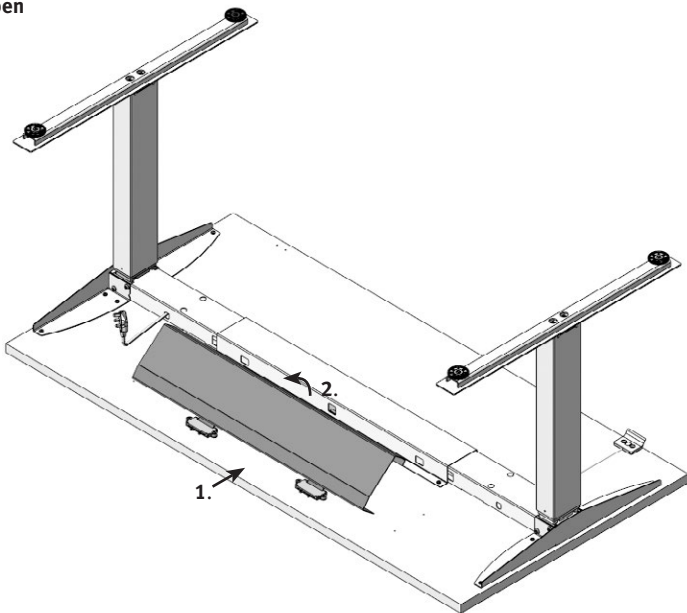


(x4)

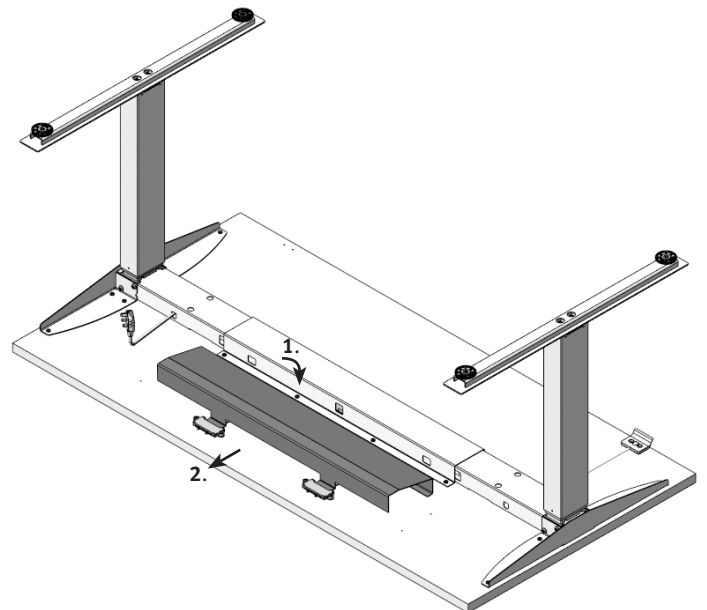


Step 26. Operating the Cable Tray

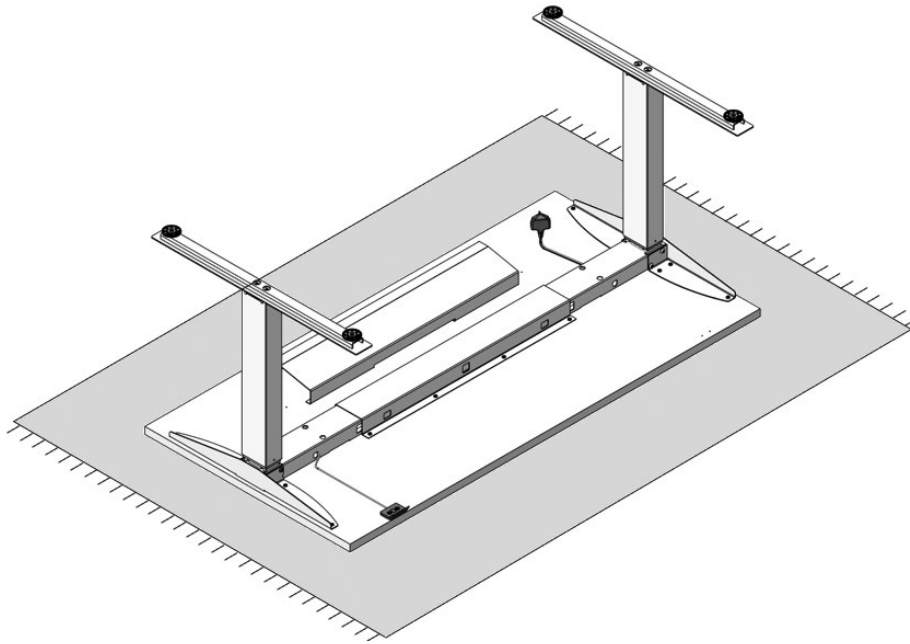
Open



Close



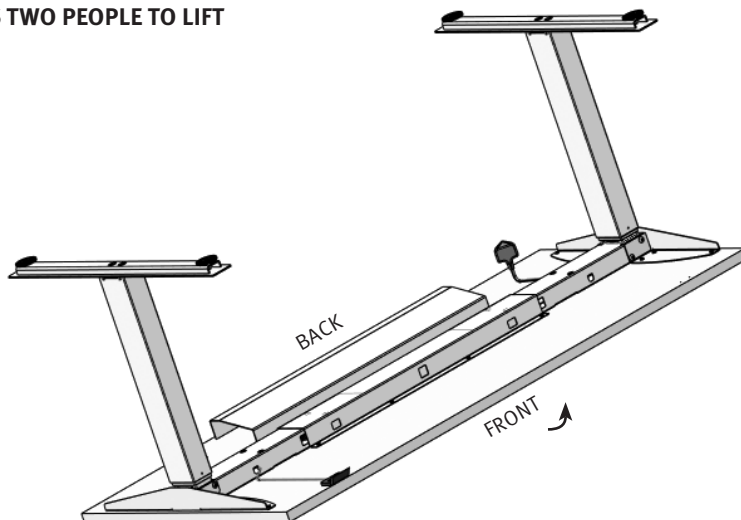
Step 27. Final Assembly



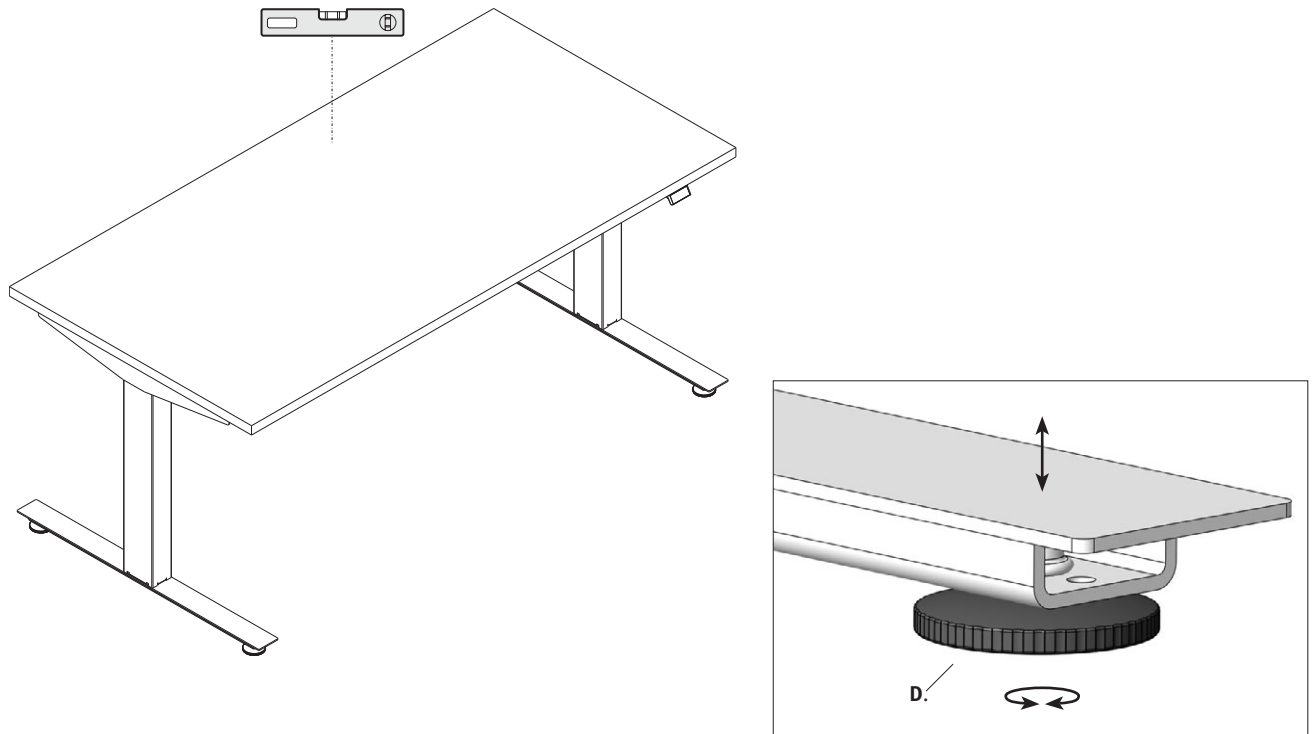
Step 28. Rotate the Desk on to the Feet



REQUIRES TWO PEOPLE TO LIFT

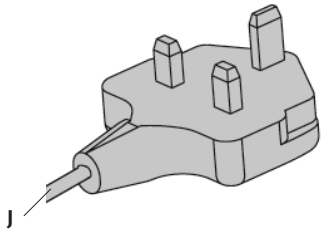


Step 29. Level the Desk

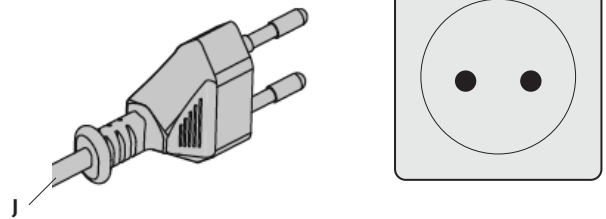


Step 30. Identify Mains power ⚡

UK



EU



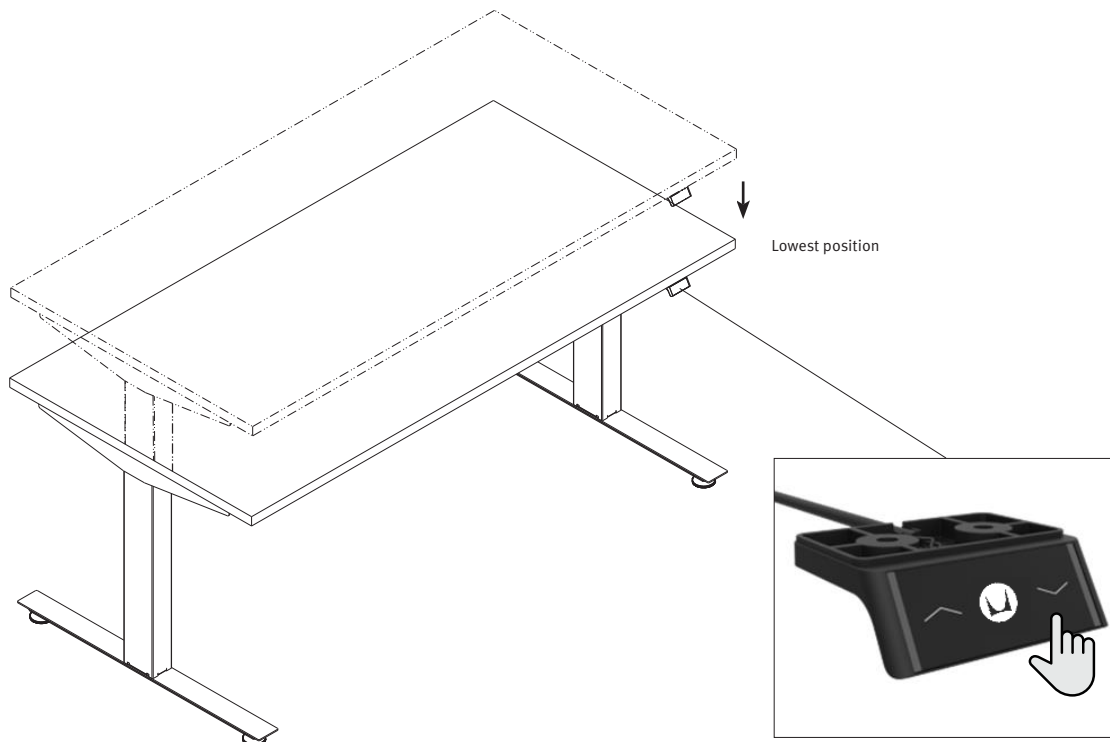
Step 31. Set-up/Reset the Height-Adjustment System

After installation and connection to power, the desk's height-adjustment system needs to be set-up. In this state, the table can only be moved down with reduced speed.

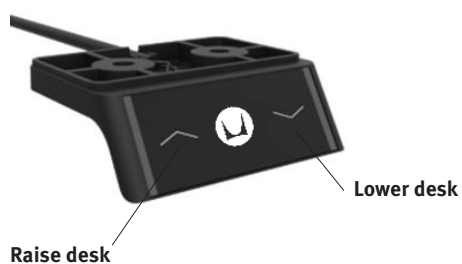
To set-up height-adjustment:

1. Lower the table to its lowest position using the DOWN button on the Controller switch (E).
2. Once the desk has stopped moving, release the DOWN button briefly.
3. Hold DOWN button again for 15 seconds or until the desk moves down a further 3-6 mm, pauses and then moves up again the 3-6 mm.
4. Release the DOWN button.

Note: If the button is released too early, the set-up procedure will need to be repeated. Please follow these instructions each time the desk is reconnected to power, following a fault, or after reconnecting the drives and the controller.

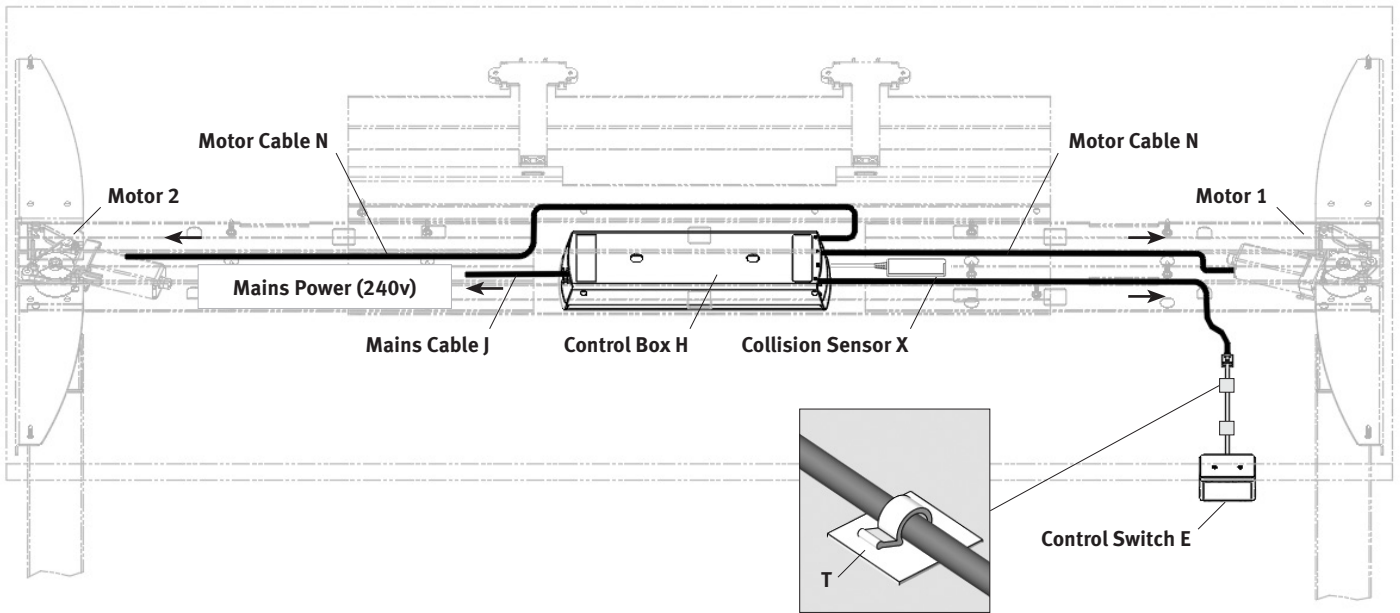


Control Switch

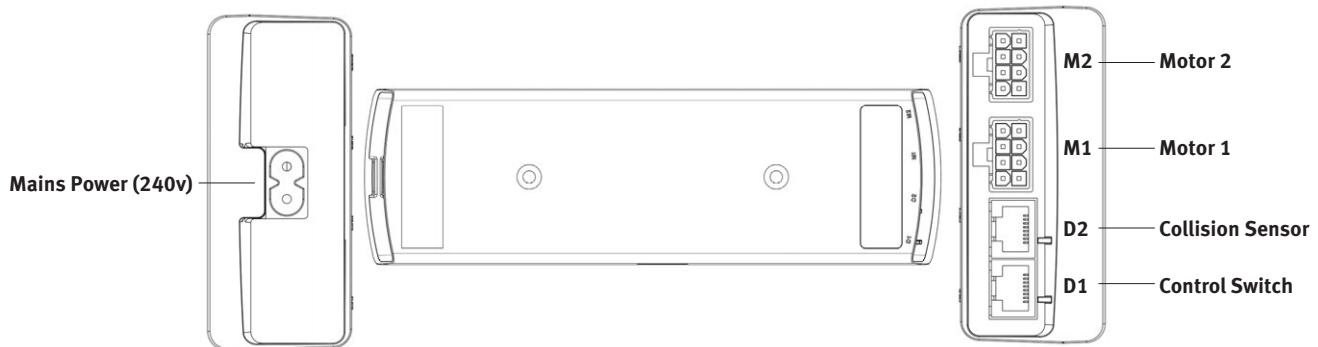


Wiring Diagram

T. Self Adhesive Clip



Control Box



Notes

IMPORTANT: PLEASE ENSURE THAT THERE IS NO OBSTRUCTION TO THE MOVEMENT OF THE MECHANISM OR WORK SURFACE.

Nevi Gaming Desk allows for continuous height adjustment of the work surface from 650mm-1250mm above floor level at a speed of 38 mm per second. The desk must be connected to a suitable mains (240) voltage supply using a Herman Miller mains cable appropriate to the country of use.

The electronic mechanism is designed to European safety standards with a cut out to ensure the motors do not overheat. The desk will move freely up and down for up to 2 minutes. After this time the movement will cease and the mechanism will require a full 20 minutes rest time before resuming. If the mechanism is pressed after only 10 minutes rest time the desk will work for only 1 minute of continuous use.

Nevi Gaming Desk should be installed with a minimum safety gap of 25 mm between each of the non-user edges and any adjacent hard surface i.e. building walls, storage units, other desks etc. throughout the full height range.

Any cables that rise and fall with the work surface must be of sufficient length to ensure that no strain is placed upon the cables or their connectors to other apparatus. Similarly, the cables must not interfere with the operation of the desk.

Set-up and Reset

After installation and connection to power, the desk's height-adjustment system needs to be set-up. In this state, the table can only be moved down with reduced speed. Please refer to Step 31 in this guide.

Collision Sensor

If the desk is moved and there is a collision with an object, the sensor recognises the collision and moves a short distance in the opposite direction. When the hindrance has been removed, the table can be moved again as usual.

Illustrations and specifications, where shown, are based on latest product information available at the time of publication. We reserve the right to make changes to the design and specification at any time, without notice. We also reserve the right to discontinue products.

Please refer to www.hermanmiller.com/gaming for full terms and conditions.

Setting Upper and Lower Limits

1. Move the work surface to the desired position using the UP and DOWN arrow keys. Note: The upper limit can only be set above the desk's mid-position (950 mm from floor), and the lower limit can only be set below the mid-position.
2. Press both arrow keys at the same time.
3. The controller confirms with one 'click-clack' sound. (If there is no sound it means that setting may not be permitted.)

Deleting the Lower Limit

1. Press the DOWN arrow key and keep it pressed.
2. The work surface stops automatically when it reaches the lower limit.
3. Press both arrow keys at the same time.
4. The controller confirms with a single 'click-clack' sound.

Deleting the Upper Limit

1. Press the UP arrow key and keep it pressed.
2. The work surface stops automatically when it reaches the upper limit.
3. Press both arrow keys at the same time.
4. The controller confirms with a single 'click-clack' sound.

If an attempt is made to set the upper and lower limit too close to the middle, the controller signals this with six 'click-clack' sounds.

Troubleshooting

Fault	Cause	Repair
Desk does not move.	No power supply.	Plug in mains cable. Check the plug connector on the controller.
	No connection or loose connection from controller to motor(s).	Check to ensure solid connection of cables between controller and motor(s).
	No connection to the control switch.	Check controller is plugged in to the switch.
	Maximum lifting force has been exceeded.	Reduce weight on desk.
	Maximum operating time exceeded.	The controller will independently reactivate after approximately 3 minutes. NOTE: The maximum travel time of 2 minutes is only available after an idle time of at least 20 minutes.
	Motor defective.	Please contact Herman Miller Customer Services.
	Control switch defective.	Please contact Herman Miller Customer Services.
Desk only lowers slowly.	Controller needs to be reset.	Refer to Set-up / Reset instructions.
Desk only moves slowly.	Maximum lifting force exceeded.	Reduce weight on desk.
Desk will only move briefly on one side but then stops.	No connection or loose connection from controller to motor(s).	Check to ensure solid connection of cables between controller and motor(s).
	Motor defective.	Please contact Herman Miller Customer Services.

Feedback Click Codes of the Controller

As soon as the motor controller is supplied with power, the controller uses the integrated relay to acoustically inform the user about the system status and the reason for the most recent shutdown.

Click = Relay actuated, Clack = Relay dropping

Click/ Clacks	When	Status information
1x	If the mains is on	Normal operation: The system works without any problem.
1x	Up key pressed	Reset. Run set-up process.
7x	During the movement, the connection to a drive is lost.	Error: Desk cannot be moved up or down.
2x	Setting an upper or lower limit.	Confirmation of the limit position having been successfully saved (only with the simple hand switch without a display).
4x	Delete an upper or lower limit.	Confirmation of the limit position having been successfully deleted (only with the simple hand switch without a display).
7x	Table moves at an angle	Error: The drives do not have the same height. Run set-up process.

