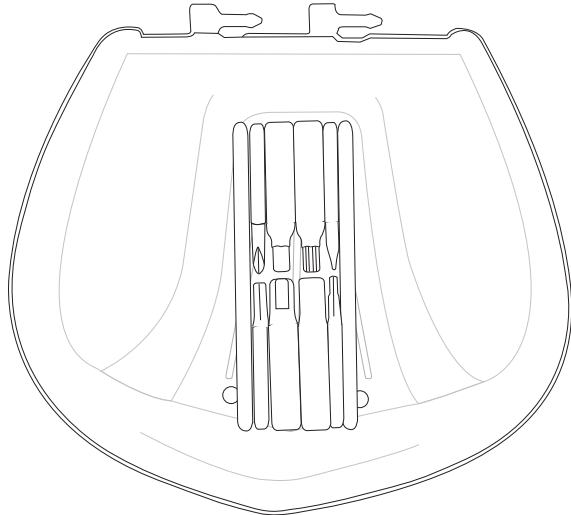


Prevent Rattling. Place supplied recycled Tube over CO2 Canister and Slimline Multitool

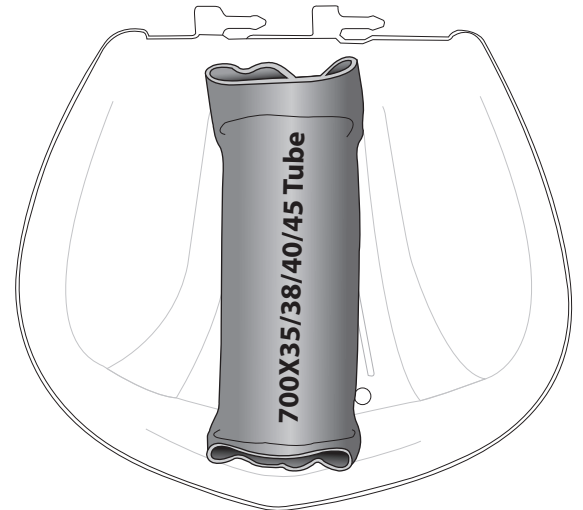
Place multitool in cavity

1



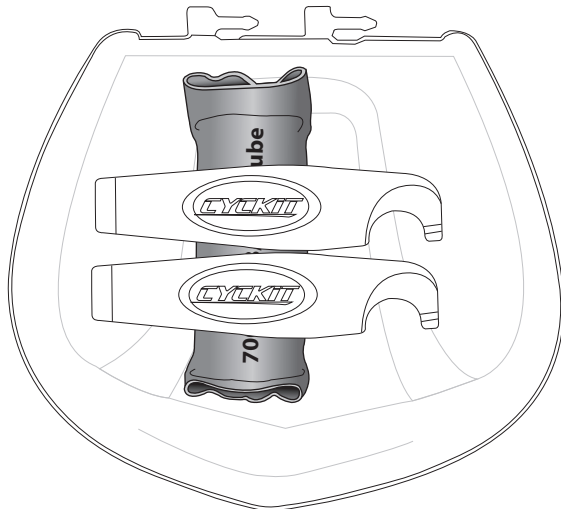
Slide tube over multitool

2



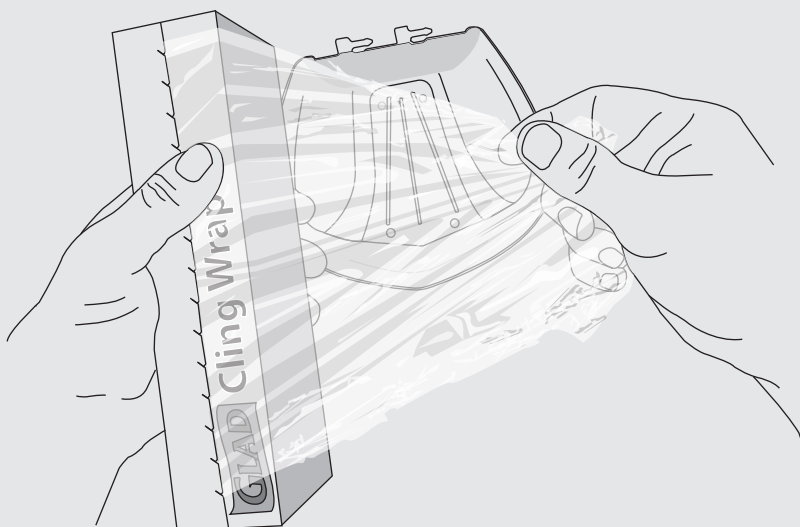
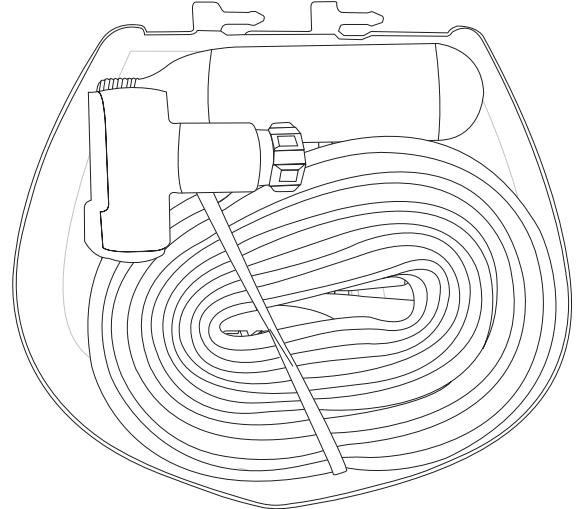
Place tire levers horizontally across the multitool

3



Place tube, canister & inflator over top

4



If your load combination differs from what was intended, use a rolled ball of Gladwrap [Lunchwrap] to fill any unwanted space.

This works best being compressible, waterproof, cheap and readily available.

Latex gloves also work well as does Bubble Wrap.