

Rinnai®

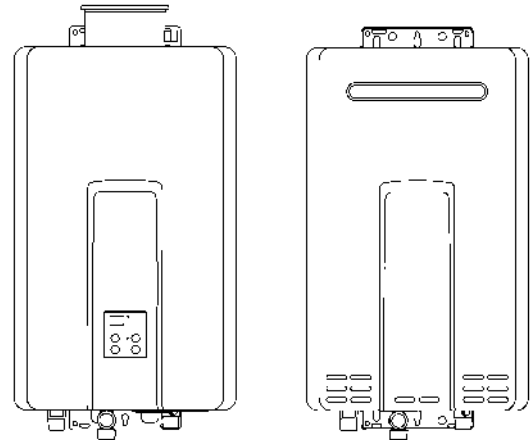
Direct Vent Tankless Water Heater Installation and Operation Manual

FOR INDOOR APPLICATIONS ONLY

RL75i..... REU-VC2528FFUD-US
REU-VC2528FFUD-US(A)
RLX94i..... REU-VC2737FFUD-US
RL94i..... REU-VC2837FFUD-US

FOR OUTDOOR APPLICATIONS ONLY

RL75e..... REU-VC2528WD-US
REU-VC2528FFUD-US(A)
RL94e..... REU-VC2837WD-US



ANS Z21.10.3 • CSA 4.3

READ ALL OF THE INSTRUCTIONS THOROUGHLY BEFORE INSTALLING OR OPERATING THIS WATER HEATER.

This manual provides information on the installation, operation, and maintenance of the water heater. For proper operation and **safety**, it is important to follow the instructions and adhere to the safety precautions.

A licensed professional must install the water heater according to the exact instructions on pages 4-30.

The consumer must read the entire manual to properly operate the water heater and to have regular maintenance performed.

WARNING If the information in these instructions is not followed exactly, a fire or explosion may result causing property damage, personal injury, or death.

- Do not store or use gasoline or other flammable vapors and liquids in the vicinity of this or any other appliance.
- WHAT TO DO IF YOU SMELL GAS
 - Do not try to light any appliance.
 - Do not touch any electrical switch; do not use any phone in your building.
 - Immediately call your gas supplier from a neighbor's phone. Follow the gas supplier's instructions.
 - If you cannot reach your gas supplier, call the fire department.
- Installation and service must be performed by a licensed professional.

This entire manual must be left for the consumer. The consumer must read and refer to this manual for proper operation and to maintain the water heater.

Table of Contents

Table of Contents	2	Installation of Temperature Controller	22
Safety Behaviors and Practices for the Consumer and Installer	3	Final Checklist.....	24
Installation Instructions (for the licensed professional)	4	Technical Data	25
Prepare for Installation	5	Specifications	25
Determine Installation Location	6	Dimensions.....	26
Freeze Protection.....	11	Pressure Drop and Water Flow Curves	27
Checklist to Determine Installation Location... ..	12	Ladder Diagram.....	28
Mount to Wall.....	12	Recirculation Mode.....	29
Remove the Front Panel	12	Operation Instructions	31
Installation of Venting (indoor models only)	13	Consumer Operation Guidelines for the Safe Operation of your Water Heater.....	32
Condensate (indoor models only).....	15	How to Use the Temperature Controller	33
Checklist for Venting and Condensate (indoor models only).....	15	How to Set the Temperature	34
Installation of Plumbing	16	Diagnostic Codes	36
Checklist for Plumbing	19	Required Maintenance.....	39
Installation of Gas Supply	19	Freeze Protection and Winterization	40
Connect Electricity	21	Flushing the Heat Exchanger.....	41
Adjust for High Altitude	21	Manual Draining of the Water Heater	42
Adjust for Vent Length (indoor models only) ..	21	State Regulations.....	43
Checklist for Gas and Electricity.....	21	Replacement Parts	44
		Consumer Warranty	45
		French Version.....	48

NOTICE: Rinnai sometimes shares customer contact information with businesses that we believe provide products or services that may be useful to you. By providing this information, you agree that we can share your contact information for this purpose. If you prefer not to have your information shared with these businesses, please contact customer service and ask not to have your information shared. We will however, continue to contact you with information relevant to the product(s) you registered and/or your account with us.

If you have any questions or feel that the manual is incomplete contact Rinnai at 1-800-621-9419.

Important Safety Information

Safety Definitions



This is the safety alert symbol. This symbol alerts you to potential hazards that can kill or hurt you and others.



Indicates an imminently hazardous situation which, if not avoided, will result in death or serious injury.



Indicates a potentially hazardous situation which, if not avoided, could result in death or serious injury.



Indicates a potentially hazardous situation which, if not avoided, could result in minor or moderate injury. It may also be used to alert against unsafe practices.

Safety Behaviors and Practices for the Consumer and Installer

WARNING

- Before operating, smell all around the appliance area for gas. Be sure to smell next to the floor because some gas is heavier than air and will settle on the floor.
- Keep the area around the appliance clear and free from combustible materials, gasoline, and other flammable vapors and liquids.
- Combustible construction refers to adjacent walls and ceiling and should not be confused with combustible or flammable products and materials. Combustible and/or flammable products and materials should never be stored in the vicinity of this or any gas appliance.
- Always check the water temperature before entering a shower or bath.
- To protect yourself from harm, before performing maintenance:
 - ◇ Turn off the electrical power supply by unplugging the power cord or by turning off the electricity at the circuit breaker. (The temperature controller does not control the electrical power.)
 - ◇ Turn off the gas at the manual gas valve, usually located immediately below the water heater.
 - ◇ Turn off the incoming water supply. This can be done at the isolation valve immediately below the water heater or by turning off the water supply to the building.
- Use only your hand to push in or turn the gas control knob. Never use tools. If the knob will not push in or turn by hand, do not try to repair it; call a licensed professional. Force or attempted repair may result in a fire or explosion.
- Do not use this appliance if any part has been under water. Immediately call a licensed professional to inspect the appliance and to replace any part of the control system and any gas control which has been under water.
- Do not use substitute materials. Use only parts certified for the appliance.
- Should overheating occur or the gas supply fail to shut off, turn off the manual gas control valve to the appliance.
- Do not adjust the DIP switch unless specifically instructed to do so.
- Do not use an extension cord or an adapter plug with this appliance.
- Any alteration to the appliance or its controls can be dangerous and will void the warranty.

CAUTION

- BURN HAZARD. Hot exhaust and vent may cause serious burns. Keep away from water heater unit. Keep small children and animals away from the unit.
- Hot water outlet pipes leaving the unit can be hot to touch. In residential applications, insulation must be used for hot water pipes below 36" due to burn risk to children.

WARNING

California law requires this notice to be provided:

California Proposition 65:

This product contains chemicals known to the state of California to cause cancer, birth defects, or other reproductive harm.

Installation Instructions

Installer Qualifications

It is recommended that a licensed professional install the appliance, inspect it, and leak test it before use. The warranty may be voided due to any improper installation.

The installer should have skills such as:

- Gas sizing.
- Connecting gas lines, water lines, valves, and electricity.
- Knowledge of applicable national, state, and local codes.
- Installing venting through a wall or roof.
- Training in installation of tankless water heaters. (Training can be accessed on-line at www.trainingevents.rinnai.us)

Type of installation

- For installation in residential and commercial applications.
- Certified for installation in manufactured (mobile) homes.

Installation Steps

Prepare for Installation	5
Determine Installation Location.....	6
Checklist to Determine Installation Location ...	12
Mount to Wall	12
Remove the Front Panel	12
Installation of Venting (indoor models only) ...	13
Condensate (indoor models only).....	15
Checklist for Venting and Condensate (Indoor models only).....	15
Installation of Plumbing	16
Checklist for Plumbing	19
Installation of Gas Supply.....	19
Connect Electricity	21
Adjust for High Altitude	21
Adjust for Vent Length (indoor models only) ..	21
Checklist for Gas and Electricity.....	21
Installation of Temperature Controller.....	22
Final Checklist.....	24

General Instructions

DO NOT

- Do not install the RL75i, RL94i, or the RLX94i outdoors.
- Do not install the RL75e or the RL94e indoors.
- Do not install the appliance in an area where water leakage of the unit or connections will result in damage to the area adjacent to the appliance or to lower floors of the structure. When such locations cannot be avoided, it is recommended that a suitable drain pan, adequately drained, be installed under the appliance. The pan must not restrict combustion air flow.
- Do not obstruct the flow of combustion and ventilation air. Combustion air shall not be supplied from occupied spaces.
- Do not use this appliance in an application such as a pool or spa heater that uses chemically treated water. (This appliance is suitable for filling large or whirlpool spa tubs with potable water.)
- Do not use substitute parts that are not authorized for this appliance.

MUST DO

- The installation must conform with local codes or, in the absence of local codes, with the *National Fuel Gas Code, ANSI Z223.1/NFPA 54*, or the *Natural Gas and Propane Installation Code, CSA B149.1*. If installed in a manufactured home, the installation must conform with the *Manufactured Home Construction and Safety Standard, Title 24 CFR, Part 3280* and/or *CAN/SCA Z240 MH Series, Mobile Homes*.
- The appliance, when installed, must be electrically grounded in accordance with local codes or, in the absence of local codes, with the *National Electrical Code, ANSI/NFPA 70*, or the *Canadian Electrical Code, CSA C22.1*.
- The appliance and its appliance main gas valve must be disconnected from the gas supply piping system during any pressure testing of that system at test pressures in excess of 1/2 psi (3.5 kPa) (13.84 in W.C.).

General Instructions (continued)

- The appliance must be isolated from the gas supply piping system by closing its individual manual shutoff valve during any pressure testing of the gas supply piping system at test pressures equal to or less than 1/2 psi (3.5 kPa) (13.84 in W.C.).
- You must follow the installation instructions and those in *Care and Maintenance* for adequate combustion air intake and exhaust.

INFORMATION

- If a water heater is installed in a closed water supply system, such as one having a backflow preventer in the cold water supply line, means shall be provided to control thermal expansion. Contact the water supplier or local plumbing inspector on how to control thermal expansion.
- Should overheating occur or the gas supply fail to shut off, turn off the manual gas control valve to the appliance.
- Keep the air intake location free of chemicals such as chlorine or bleach that produce fumes. These fumes can damage components and reduce the life of your appliance.

Prepare for installation

Parts included

- Tankless water heater
- Color coded cold (blue) and hot (red) isolation valves
- Pressure relief valve
- MC-91-2 temperature controller (integrated into indoor models; provided with outdoor models)

Tools needed

- Pipe wrenches (2)
- Adjustable pliers
- Screwdrivers (2)
- Wire cutters
- Gloves
- Safety glasses
- Level

Tools that might be needed

- Hammer drill with concrete bits
- Saw
- Threading machine with heads and oiler
- Core drill with diamond head
- Torch set
- Copper tubing cutter
- Steel pipe cutter

Materials needed

- Soap or gas leak detector solution
- Approved venting
- Teflon tape (recommended) or pipe compound

Materials that may be needed

- Heat tape
- Pipe insulation
- Electrical wire and conduit per local code
- Concrete wall anchors
- Optional pipe cover
- Optional temperature controller
- 5/8" ID PVC flexible tubing
- 2 conductor 22 AWG wire for controller
- Single gang electrical box
- Wire nuts
- Unions and drain valves

Determine Installation Location

You must ensure that clearances will be met and that the vent length will be within required limits. Consider the installation environment, water quality, and need for freeze protection. Requirements for the gas line, water lines, electrical connection, and condensate disposal can be found in their respective installation sections of this manual.

Water Quality

Consideration of care for your water heater should include evaluation of water quality.

The water must be potable, free of corrosive chemicals, sand, dirt, or other contaminants. It is up to the installer to ensure the water does not contain corrosive chemicals, or elements that can affect or damage the heat exchanger. Water that contains chemicals exceeding the levels below affect and damage the heat exchanger. Replacement of the heat exchanger due to water quality damage is not covered by the warranty.

	Maximum Level
Total Hardness	Up to 200 mg / L
Aluminum *	Up to 0.2 mg / L
Chlorides *	Up to 250 mg / L
Copper *	Up to 1.0 mg / L
Dissolved Carbon Dioxide (CO ₂)	Up to 15.0 mg / L or PPM
Iron *	Up to 0.3 mg / L
Manganese *	Up to 0.05 mg / L
pH *	6.5 to 8.5
TDS (Total Dissolved Solids) *	Up to 500 mg / L
Zinc *	Up to 5 mg / L

* Source: Part 143 National Secondary Drinking Water Regulations

If you install this water heater in an area that is known to have hard water or that causes scale build-up the water must be treated and/or the heat exchanger flushed regularly.

When scale build-up in the heat exchanger begins to affect the performance of the water heater, a diagnostic code "LC#" will display. Flush the heat exchanger to prevent damage to it. Scale build up is caused by hard water set at a high temperature.

Rinnai offers Southeastern Filtration's "ScaleCutter Water Conditioning System" that offers superior lime scale prevention and corrosion control by feeding a blend of control compounds into the cold water supply.

Part Number	Description
103000038	Southeastern Filtration ScaleCutter System 3/4" Feed
103000039	ScaleCutter Refill

Environment

Air surrounding the water heater, venting, and vent termination(s) is used for combustion and must be free of any compounds that cause corrosion of internal components. These include corrosive compounds that are found in aerosol sprays, detergents, bleaches, cleaning solvents, oil based paints/ varnishes, and refrigerants. The air in beauty shops, dry cleaning stores, photo processing labs, and storage areas for pool supplies often contains these compounds. Therefore it is recommended that outdoor models be used for these locations where possible.

The water heater, venting, and vent termination(s) should not be installed in any areas where the air may contain these corrosive compounds. If it is necessary for a water heater to be located in areas which may contain corrosive compounds, the following instructions are strongly recommended.

IMPORTANT CONSIDERATIONS FOR:

Indoor/Internal Water Heaters

- DO NOT Install in areas where air for combustion can be contaminated with chemicals.
- Before installation, consider where air has the ability to travel within the building to the water heater.
- Where possible, install the water heater in a sealed closet so that it is protected from the potential of contaminated indoor air.
- Chemicals that are corrosive in nature should not be stored or used near the water heater.

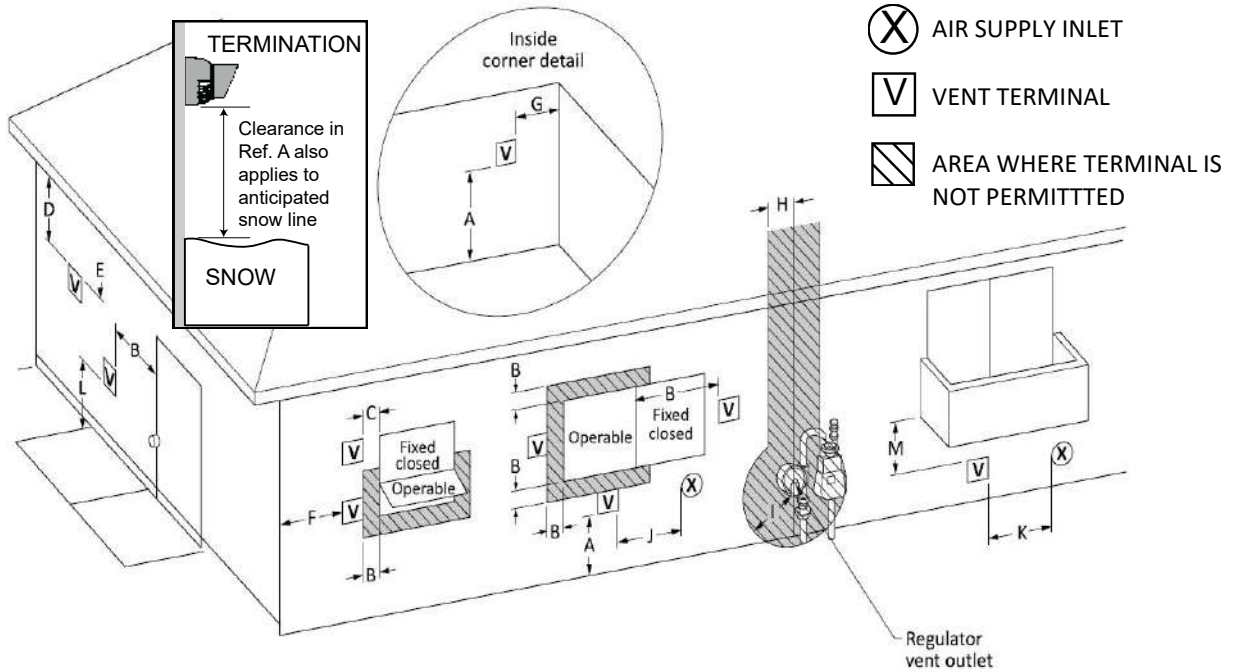
Outdoor/External Water Heaters and Vent Terminations of Indoor/Internal Water Heaters

- Install the water heater as far away as possible from exhaust vent hoods.
- Install as far away as possible from air inlet vents. Corrosive fumes may be released through these vents when air is not being brought in through them.
- Chemicals that are corrosive in nature should not be stored or used near the water heater or vent termination.

Damage and repair due to corrosive compounds in the air is not covered by warranty.

Terminal Clearances

For indoor models, you must install a vent termination to bring in combustion air and expel exhaust.



Ref	Description	Direct Vent (Indoor Unit)		Other than direct vent (Outdoor unit)	
		Canadian Installations (CSA B149.1)	US Installations (ANSI Z223.1 / NFPA 54)	Canadian Installations (CSA B149.1)	US Installations (ANSI Z223.1 / NFPA 54)
A	Clearance above grade, veranda, porch, deck, or balcony	12 inches (30 cm)	12 inches (30 cm)	12 inches (30 cm)	12 inches (30 cm)
B	Clearance to window or door that may be opened	36 inches (91 cm)	12 inches (30 cm)	6 in (15 cm) for appliances ≤ 10,000 Btuh (3 kW), 12 in (30 cm) for appliances > 10,000 Btuh (3 kW) and ≤ 100,000 Btuh (30 kW), 36 in (91 cm) for appliances >100,000 Btuh (30 kW)	4 ft (1.2 m) below or to side of opening; 1 ft (300 mm) above opening
C	Clearance to permanently closed window	*	*	*	*
D	Vertical clearance to ventilated soffit, located above the terminal within a horizontal distance of 2 feet (61 cm) from the center line of the terminal	*	*	*	*
E	Clearance to unventilated soffit	*	*	*	*
F	Clearance to outside corner	*	*	*	*
G	Clearance to inside corner	*	*	*	*
H	Clearance to each side of center line extended above meter/regulator assembly	*	*	*	*
I	Clearance to service regulator vent outlet	Above a regulator within 3 ft (91 cm) horizontally of the vertical center line of the regulator vent outlet to a maximum vertical distance of 15 ft (4.5 m)	*	Above a regulator within 3 ft (91 cm) horizontally of the vertical center line of the regulator vent outlet to a maximum vertical distance of 15 ft (4.5 m)	*
J	Clearance to nonmechanical air supply inlet to building or the combustion air inlet to any other appliance	36 inches (91 cm)	12 inches (30 cm)	6 in (15 cm) for appliances ≤ 10,000 Btuh (3 kW), 12 in (30 cm) for appliances > 10,000 Btuh (3 kW) and ≤ 100,000 Btuh (30 kW), 36 in (91 cm) for appliances >100,000 Btuh (30 kW)	4 ft (1.2 m) below or to side of opening; 1 ft (300 mm) above opening
K	Clearance to a mechanical air supply inlet	6 ft (1.83 m)	3 ft (91 cm) above if within 10 ft (3 m) horizontally	6 ft (1.83 m)	3 ft (91 cm) above if within 10 feet (3 m) horizontally
L	Clearance above paved sidewalk or paved driveway located on public property	7 ft (2.13 m) ①	*	7 ft (2.13 m) [1]	7 ft. (2.13 m)
M	Clearance under veranda, porch, deck, or balcony	12 inches (30 cm) ②	*	12 inches (30 cm) [2]	*

[1] A vent shall not terminate directly above a sidewalk or paved driveway that is located between two single family dwellings and serves both dwellings.
 [2] Permitted only if veranda, porch, deck, or balcony is fully open on a minimum of two sides beneath the floor.

* For clearances not specified in ANSI Z223.1/NFPA 54, clearances are in accordance with local installation codes and the requirements of the gas supplier. Clearance to opposite wall is 24 inches (60 cm).

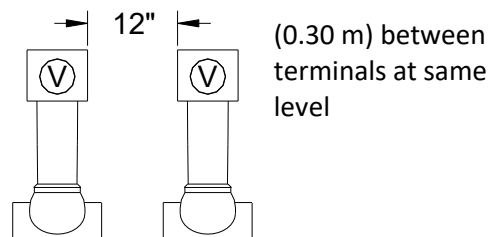
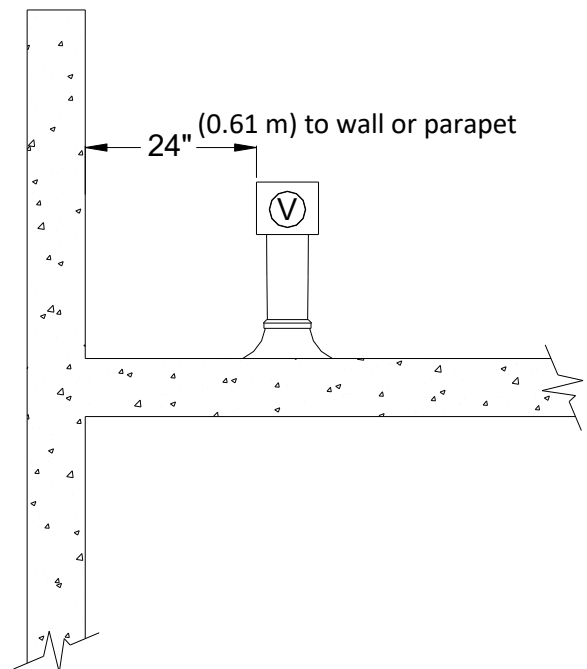
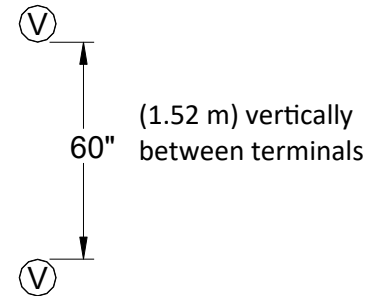
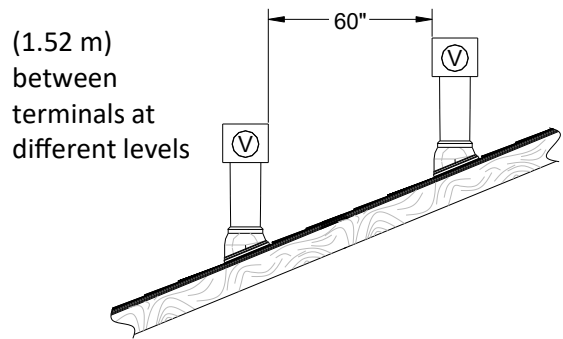
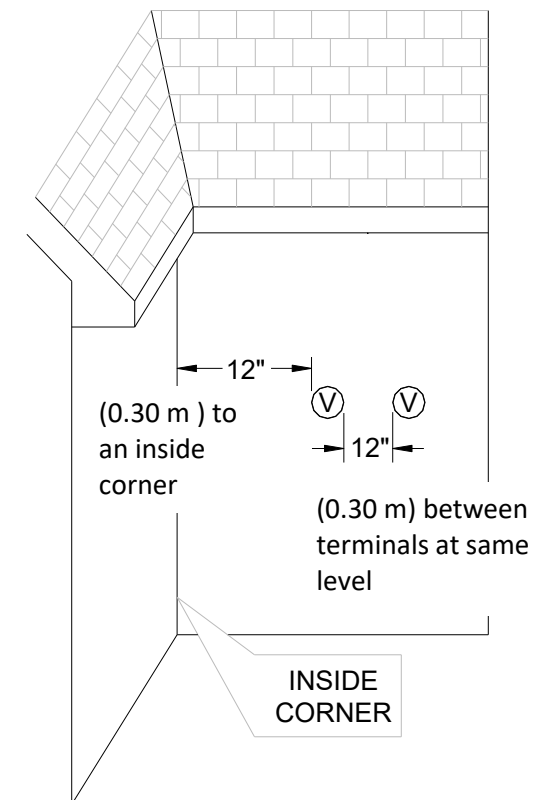
Additional clearances - RL75i, RL94i, RLX94i

Check to determine whether local codes supersede these clearances.

- Avoid termination locations near a dryer vent.
- Avoid termination locations near commercial cooking exhaust.
- You must install a vent termination at least 12 inches above the ground.

Important considerations for locating vent termination under a soffit (ventilated or unventilated or eave vent; or to a deck or porch)

- Do not install vent termination under a soffit vent such that exhaust can enter the soffit vent
- Install vent termination such that exhaust and rising moisture will not collect under eaves. Discoloration to the exterior of the building could occur if installed too close.
- Do not install the vent termination too close under the soffit where it could present recirculation of exhaust gases back into the combustion air intake part of the termination.

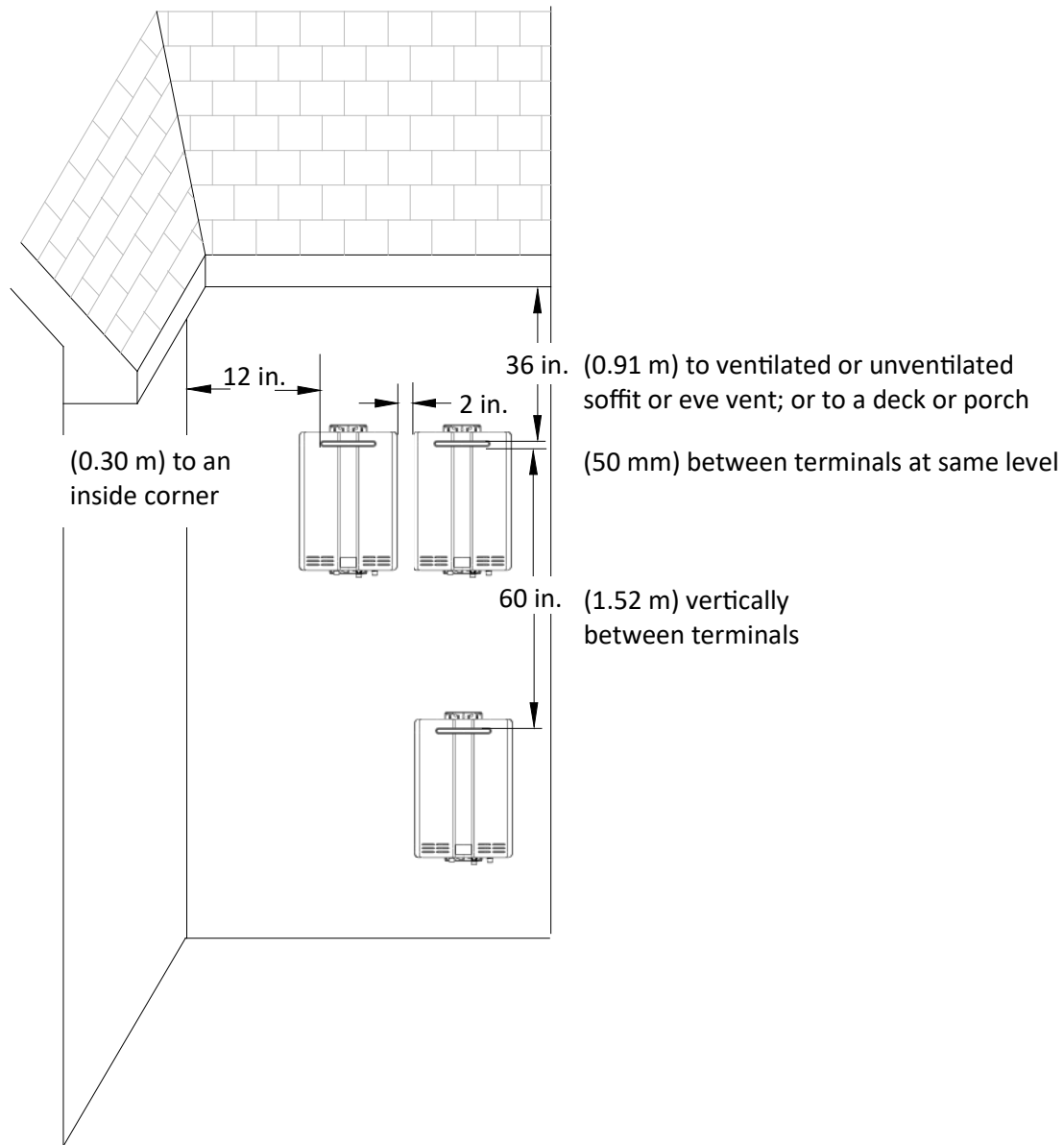


Additional clearances

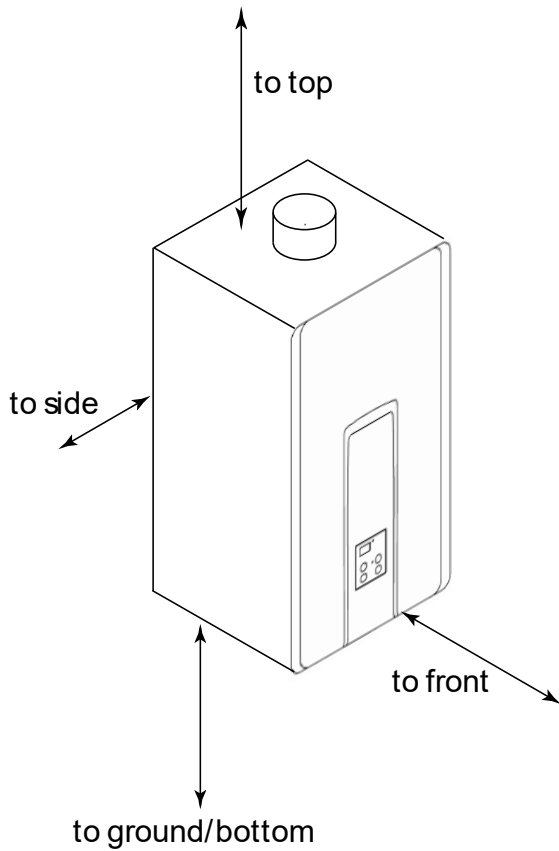
RL75e, RL94e

Local codes supersede these clearances.

- Avoid termination locations near a dryer vent.
- Avoid termination locations near commercial cooking exhaust.
- Avoid termination locations near any air inlets.



Unit clearances



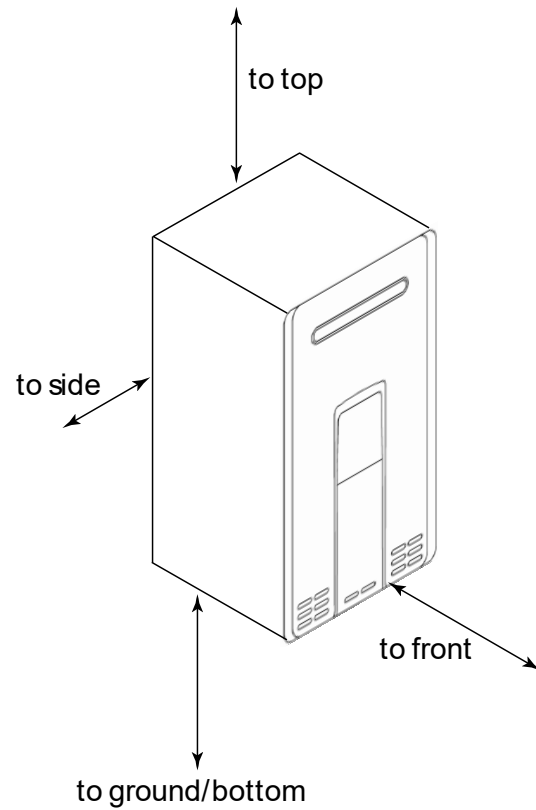
Indoor models: RL75i, RL94i, RLX94i

	to Combustibles inches (mm)	to Non-Combustibles inches (mm)
Top of Heater	6 * (152)	2 *(51)
Back of Heater	0 (zero)	0 (zero)
Front of Heater	6 (152)	6 (152)
Sides of Heater	2 (51)	1/2 (13)
Ground/Bottom	12 (305)	12 (305)
Vent	0 (zero)	0 (zero)

* 0 inches from vent components and condensate drain line.

The clearance for servicing is 24 inches in front of the water heater.

For closet installation, clearance is 6 inches (152 mm) from the front of the water heater.



Outdoor models: RL75e, RL94e

	to Combustibles inches (mm)	to Non-Combustibles inches (mm)
Top of Heater	12 (305)	2 (51)
Back of Heater	0 (zero)	0 (zero)
Front (Panel)	24 (610)	0 (zero)
Front (Exhaust)	24 (610)	24 (610)
Sides of Heater	6 (152)	1/8 (3.2)
Ground/Bottom	12 (305)	2 (51)

The clearance for servicing is 24 inches in front of the water heater.

Maximum vent length (indoor models only)

1. Determine the number of 90 degree elbows in the vent system. (Two 45 degree elbows count as one 90 degree elbow.)
2. Refer to the table to find the maximum vent length based on the number of elbows.

Number of 90° Elbows	Maximum vent length
0	41 ft (12.5 m) ①
1	35 ft (10.7 m) ②
2	29 ft (8.8 m) ③
3	23 ft (7.0 m) ④
4	17 ft (5.2 m) ④
5	11 ft (3.4 m) ④
6	5 ft (1.5 m) ④

3. Adjust switch No. 1 in the SW1 DIP switch (tan switches) if required by the applicable note.

- ① If the length is greater than 21 ft (6.4 m) then move switch No. 1 (SW1) to OFF.
- ② If the length is greater than 15 ft (4.6 m) then move switch No. 1 (SW1) to OFF.
- ③ If the length is greater than 9 ft (2.7 m) then move switch No. 1 (SW1) to OFF.
- ④ Move switch No. 1 (SW1) to OFF.

Example: If you have one elbow then your maximum vent length is 35 feet (10.7 m). If your actual length is greater than 15 ft (4.6 m) then move switch no. 1 (SW1) to OFF.

NOTICE

If you have a longer vent length (see number 3 regarding max. vent length), switch No. 1 is required to be in the OFF position. This ensures the water heater will run properly. Blocked flue diagnostic codes and shutdowns may result if switch No. 1 is not in the correct position.

Freeze Protection

Make sure that in case of freezing weather that the water heater and its water lines are protected to prevent freezing. Damage due to freezing is not covered by the warranty.

With electrical power and gas supplied, the water heater will not freeze when the outside air temperature is as cold as -22°F (-30°C) for indoor models or is as cold as -4°F (-20°C) for outdoor models, when protected from direct wind exposure. Because of the “wind-chill” effect, any wind or circulation of the air on the unit will reduce its ability to protect itself from freezing.

In the event of a power failure and/or gas interruption at temperatures below freezing the water heater should be drained of all water to prevent freezing damage. In addition, drain the condensate trap and drain line.

Loss of freeze protection may result in water damage from a burst heat exchanger or water lines.

The unit may be drained manually. However, it is highly recommended to:

- drain down solenoid valves be purchased and installed that will automatically drain the unit if power is lost. These are available in a kit, 104000059. (The condensate trap is not affected by the auto drain down solenoid valves and will have to be manually drained.)
- a surge protector with terminals be purchased and installed which allows the solenoid valves to operate if the unit is disabled due to a diagnostic code. This is available as 104000057.

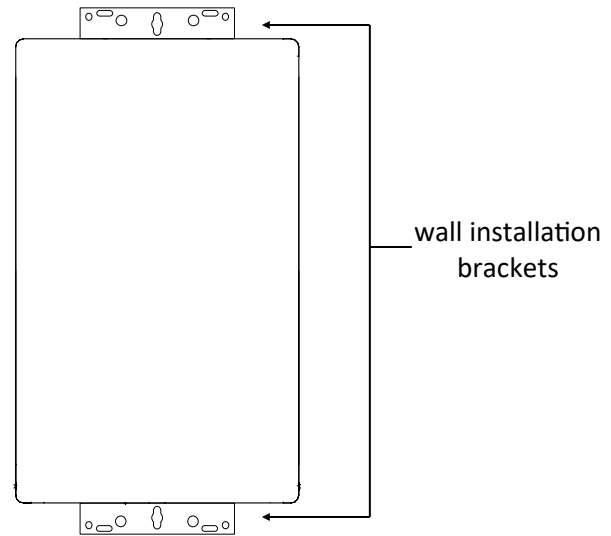
In addition, the solenoid valves should be connected electrically to a surge protector with terminals. This allows the solenoid valves to operate if the water heater is disabled due to a diagnostic code.

The freeze protection features will not prevent the external piping from freezing. It is recommended that hot and cold water pipes be insulated. Pipe cover enclosures may be packed with insulation for added freeze protection.

Checklist to Determine Installation Location

- The water heater is not exposed to corrosive compounds in the air.
- The water heater location complies with the clearances.
- For indoor models, the planned venting will not exceed the maximum length for the number of elbows used.
- The planned venting termination/air intake location meets the clearances.
- Indoor air is not being used for combustion.
- The water supply does not contain chemicals or exceed total hardness that will damage the heat exchanger.
- A standard 3 prong 120 VAC, 60 Hz properly grounded wall outlet (for indoor models) or other 120 VAC, 60 Hz source is available.
- The installation must conform with local codes or, in the absence of local codes, with the *National Fuel Gas Code, ANSI Z223.1/NFPA 54*, or the *Natural Gas and Propane Installation Code, CSA B149.1*. If installed in a manufactured home, the installation must conform with the *Manufactured Home Construction and Safety Standard, Title 24 CFR, Part 3280* and/or *CAN/SCA Z240 MH Series, Mobile Homes*.
- Leave the entire manual taped to the water heater (indoor models), temperature controller (outdoor models), or give the entire manual directly to the consumer.**

Mount to Wall



1. Identify the installation location and confirm that the installation will meet all required clearances.
2. Securely attach the water heater to the wall using any of the holes in the wall installation brackets which are at the top and bottom of the water heater. Ensure that the attachment strength is sufficient to support the weight. Refer to the weight of the water heater in the Specifications section. Use a leveling tool to ensure that the water heater is level. Proper operation requires that the water heater be level.

NOTE: The water heater must be installed in an upright position. Do not install upside down or on its side.

Remove the Front Panel

Slide the plastic trim pieces on each side of the water heater to expose the screws.

Remove the 4 screws and pull off the front panel.

Installation of venting (indoor models only)

Install the correct venting for your model according to the venting manufacturer's instructions and the guidelines below.

Refer to the manufacturer's technical literature for specific part numbers and instructions.

Manufacturer	Listed and Tested Vent Products for RL75i, RL94i, and RLX94i	Telephone	Fax	Contact
Ubbink	Rolux Vent System	800-621-9419	678-829-1666	www.rinnai.us
Heat-Fab	Saf-T Vent SC system	800-772-0739	413-863-4803	custsvc@heat-fab.com, www.heatfab.com
Metal-Fab	Corr/Guard Vent/Air Intake System	800-835-2830	316-943-2717	info@mtlfab.com, www.metal-fabinc.com

Venting Guidelines

DO NOT

- Do not use PVC, CPVC, ABS or galvanized material to vent this appliance.
- Do not combine vent components from different manufacturers.
- Vent diameter must not be reduced.
- Do not connect the venting system with an existing vent or chimney.
- Do not common vent with the vent pipe of any other water heater or appliance.

MUST DO

- This water heater is a direct vent water heater and therefore is certified and listed with the vent system. You must use vent components that are certified and listed with the water heater model.
- The vent system must vent directly to the outside of the building and use outside air for combustion.
- Avoid dips or sags in horizontal vent runs by installing supports per the vent manufacturer's instructions.
- Support horizontal vent runs every four feet and all vertical vent runs every six feet or in accordance with local codes.
- Venting should be as direct as possible with a minimum number of pipe fittings.
- Vent connections must be firmly pressed together so that the gaskets form an air tight seal.
- The vent piece connected to the water heater must be secured with one self-tapping screw.

INFORMATION

- Refer to the instructions of the vent system manufacturer for component assembly instructions.
- If the vent system is to be enclosed, it is suggested that the design of the enclosure shall permit inspection of the vent system. The design of such enclosure shall be deemed acceptable by the installer or the local inspector.

NOTICE

If it becomes necessary to access an enclosed vent system for service or repairs, Rinnai is not responsible for any costs or difficulties in accessing the vent system. The warranty does not cover obtaining access to a vent system in an enclosed environment.

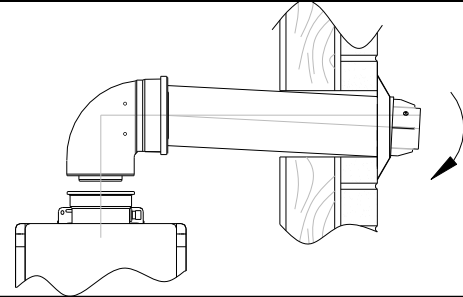
Flue Installation (indoor models only)

Install the venting termination according to the diagrams and instructions below.

Horizontal Termination without using the Condensate Collector

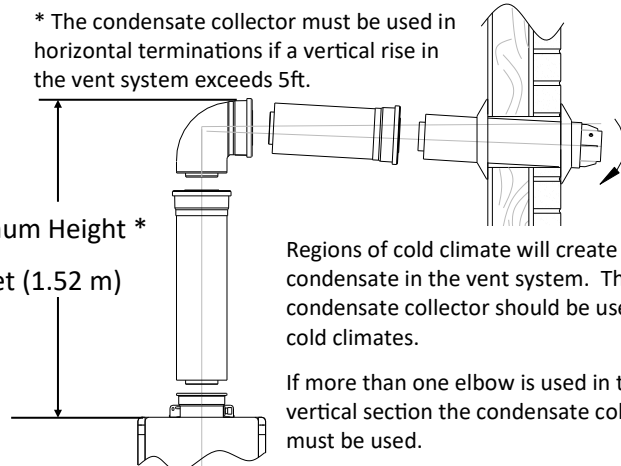
WARNING

If the condensate collector is not used, the drain pipe must be capped to prevent exhaust gases and condensate from entering the building. The cap is supplied on the appliance. In such an instance slope the venting 1/4" per foot away from appliance according to vent manufacturer's installation instructions.



* The condensate collector must be used in horizontal terminations if a vertical rise in the vent system exceeds 5ft.

Maximum Height *
5 feet (1.52 m)

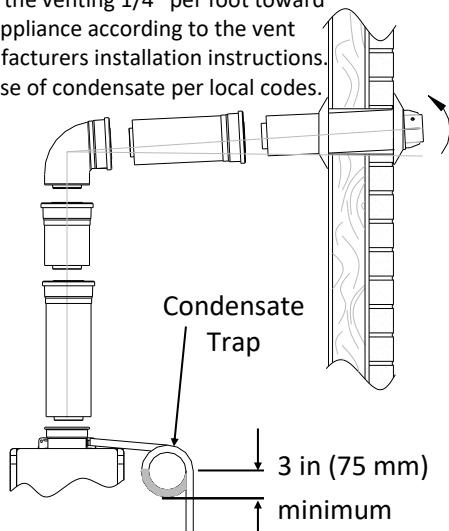


Regions of cold climate will create more condensate in the vent system. The condensate collector should be used in cold climates.

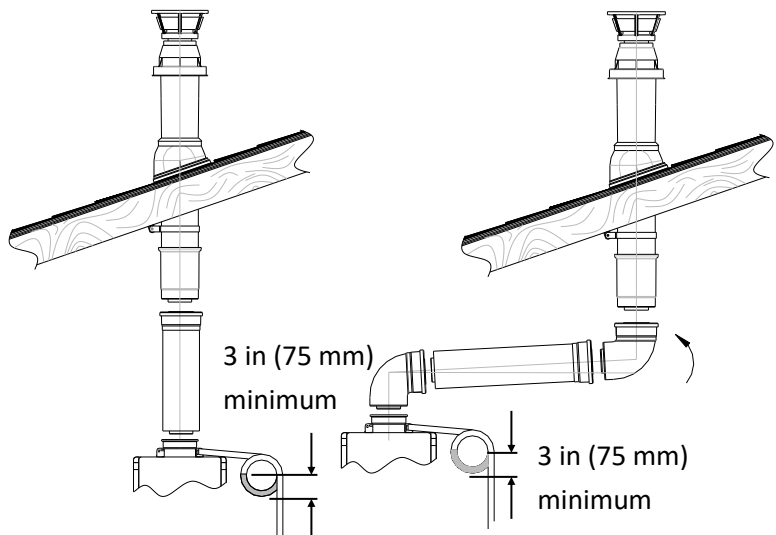
If more than one elbow is used in the vertical section the condensate collector must be used.

Horizontal Termination using Condensate Collector

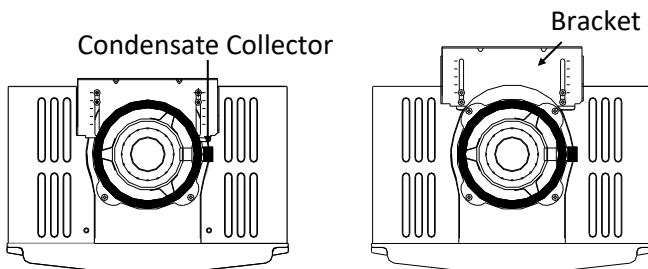
Slope the venting 1/4" per foot toward the appliance according to the vent manufacturer's installation instructions. Dispose of condensate per local codes.



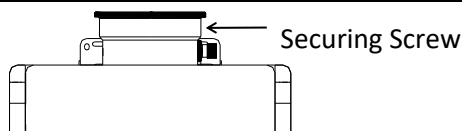
Vertical Termination (condensate collector must be used in all installations)



To adjust the condensate collector position or to replace the female vent top with a male vent top:



1. Loosen the 4 screws at the rear bracket
2. Slide the bracket away from the female vent top.
3. Remove the 4 screws attaching the female vent top to the water heater.
4. Lift up the female vent top and reposition as desired (or replace with a male vent top).
5. Install the 4 screws at the vent top and tighten the 4 screws at the bracket.



Secure the first vent component to the water heater with one self-tapping screw at the hole located above the condensate collector.

Condensate (indoor models only)

Condensate can form in the vent of high efficiency direct vent appliances. Without proper drainage, condensate will damage the heat exchanger.

To prevent condensate damage, follow these instructions.

DO NOT

- Do not allow condensate to enter the water heater.
- Do not connect the condensate drain pipe directly to the rain sewer.
- Do not connect the condensate drain line with an air conditioning evaporator coil drain or.
- Do not connect the condensate drain line to the pressure relief valve/line of the appliance.

MUST DO

- Use only venting that is approved and identified as acceptable for your particular model.
- For vertical terminations, install a condensate drain and trap as close as possible to the appliance.
- Slope the venting toward the appliance according to the vent manufacturer's installation instructions.
- All condensate must drain and be disposed of according to local codes.
- Use only corrosion resistant materials for the condensate drain lines such as PVC pipe or plastic hose.
- The condensate drain pipe (along its entire length) must be at least the same diameter as the drain line, (5/8 inch NPT).
- The end of the condensate drain pipe should be open to the atmosphere. The end should not be under water or other substances.
- To minimize freezing of the condensate, run the condensate drain line through an interior wall or between insulation and an interior wall.
- The condensate collector should be used for all combination domestic/hydronic heating applications.

INFORMATION

- A condensate trap is available, P/N 222053.
- Regions of cold climate will create more condensate in the vent system. The condensate collector should be used in cold climates.
- The condensate drain pipe should be as short as possible and have a downward pitch.

Checklist for Venting and Condensate (indoor models only)

- Verify proper clearances around the vent terminations and air intakes.
- Ensure you have used the correct venting products for the model installed and that you have completely followed the venting manufacturer's installation instructions and these installation instructions.
- Verify that the vent pipe has a downward slope or grade to the outside of 1/4 inch per foot (1.2°) OR if the vent pipe is sloped toward the water heater (as some local codes require), that a condensate collector is installed to allow condensation to drain away from the water heater to a proper drain source.
- Verify that condensate will not be allowed to drain back into the water heater.
- Verify that the vent system does not exceed the maximum length for the number of elbows used.

Installation of Plumbing

Pressure Relief Valve Requirements

Install the pressure relief valve according to these instructions.

An approved pressure relief valve is required by the *American National Standard (ANSI Z21.10.3)* for all water heating systems and shall be accessible for servicing.

DO NOT

- Do not plug the relief valve and do not install any reducing fittings or other restrictions in the relief line. The relief line should allow for complete drainage of the valve and the line.
- Do not place any other type valve or shutoff device between the relief valve and the water heater.

MUST DO

- The relief valve must comply with the standard for *Relief Valves and Automatic Gas Shutoff Devices for Hot Water Supply Systems ANSI Z21.22* and /or the standard *Temperature, Pressure, Temperature and Pressure Relief Valves and Vacuum Relief Valves, CAN1-4.4*.
- The relief valve must be rated up to 150 psi and to at least the maximum BTU/hr of the appliance.
- The discharge from the pressure relief valve should be piped to the ground or into a drain system per local codes.
- The pressure relief valve must be manually operated once a year to check for correct operation.

WARNING

Water discharged from the pressure relief valve could cause severe burns instantly or death from scalds.

- The relief valve should be added to the hot water outlet line and near the hot water outlet according to the manufacturer's instructions. **DO NOT** place any other type valve or shut off device between the relief valve and the water heater.

INFORMATION

- If a relief valve discharges periodically, this may be due to thermal expansion in a closed water supply system. Contact the water supplier or local plumbing inspector on how to correct this situation. Do not plug the relief valve.
- The *American National Standard (ANSI Z21.10.3)* does not require a combination temperature and pressure relief valve for this appliance. However, local codes may require a combination temperature and pressure relief valve.

Isolation Valves

Isolation valves are included with this water heater. Rinnai strongly recommends the installation of isolation valves on the cold and hot water lines because they provide the ability to isolate the water heater from the structure's plumbing and allow quick access to flush the heat exchanger. Flushing the heat exchanger regularly is required as part of the proper maintenance for this water heater.

Piping Requirements

A manual water control valve must be placed in the water inlet connection to the water heater before it is connected to the water line. Unions may be used on both the hot and cold water lines for future servicing and disconnection of the unit.

DO NOT

- Do not introduce toxic chemicals such as those used for boiler water treatment to the potable water used for space heating.

MUST DO

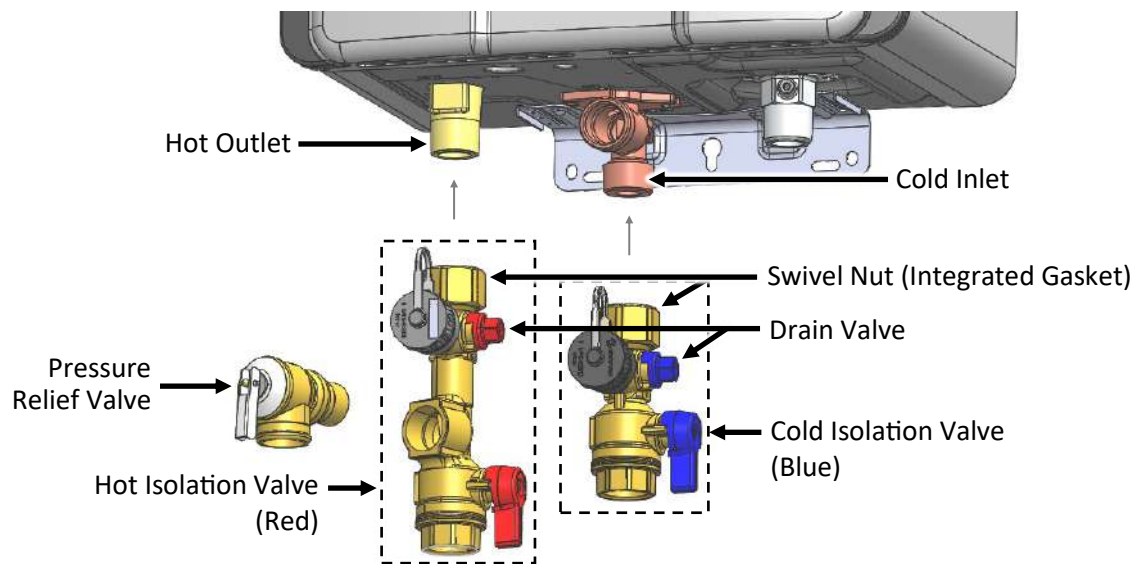
- The piping (including soldering materials) and components connected to this appliance must be approved for use in potable water systems.
- Purge the water line to remove all debris and air. Debris will damage the water heater.
- If the appliance will be used as a potable water source, it must not be connected to a system that was previously used with a nonpotable water heating appliance.
- Ensure that the water filter on the water heater is clean and installed.

Isolation Valves and Pressure Relief Valve

The isolation valves provide the ability to isolate the water heater from the structure's plumbing and allow quick access to flush the heat exchanger. Check with local codes to determine if a pressure and temperature relief valve is required. The included valves meet *American National Standard (ANSI Z21.10.3) / Canadian Standard (CSA 4.3)* and are ANSI/NSF 61 approved for potable water.

Isolation Valves Installation Instructions:

1. Wrap the threaded end of the approved pressure relief valve with a minimum of 5 wraps of Teflon® tape.
2. Install the pressure relief valve to the 3/4" threaded port on the HOT (RED) water service valve (will be adjacent to or above the cut off, never below). See Pressure Relief Valve Section for proper installation requirements.
3. Position the Hot Isolation Valve (Red) below the Hot Outlet side of the water heater.
4. Hand tighten the Swivel Nut of the Hot Isolation Valve (Red) to the Hot Outlet side of the water heater.
5. Rotate the Drain Valve to an accessible position. With a wrench, tighten the Swivel Nut to the water heater.
6. Repeat steps 3-5 for the Cold Isolation Valve (Blue).
7. Connect the Cold Isolation Valve (Blue) to the Cold Water Supply Line.
8. Connect the Hot Isolation Valve (Red) to the Hot Water Supply Line.
9. Ensure that both Drain Valves are in the closed position before turning on water supply.



Pressure Relief Valve (PRV) Installation Instructions:

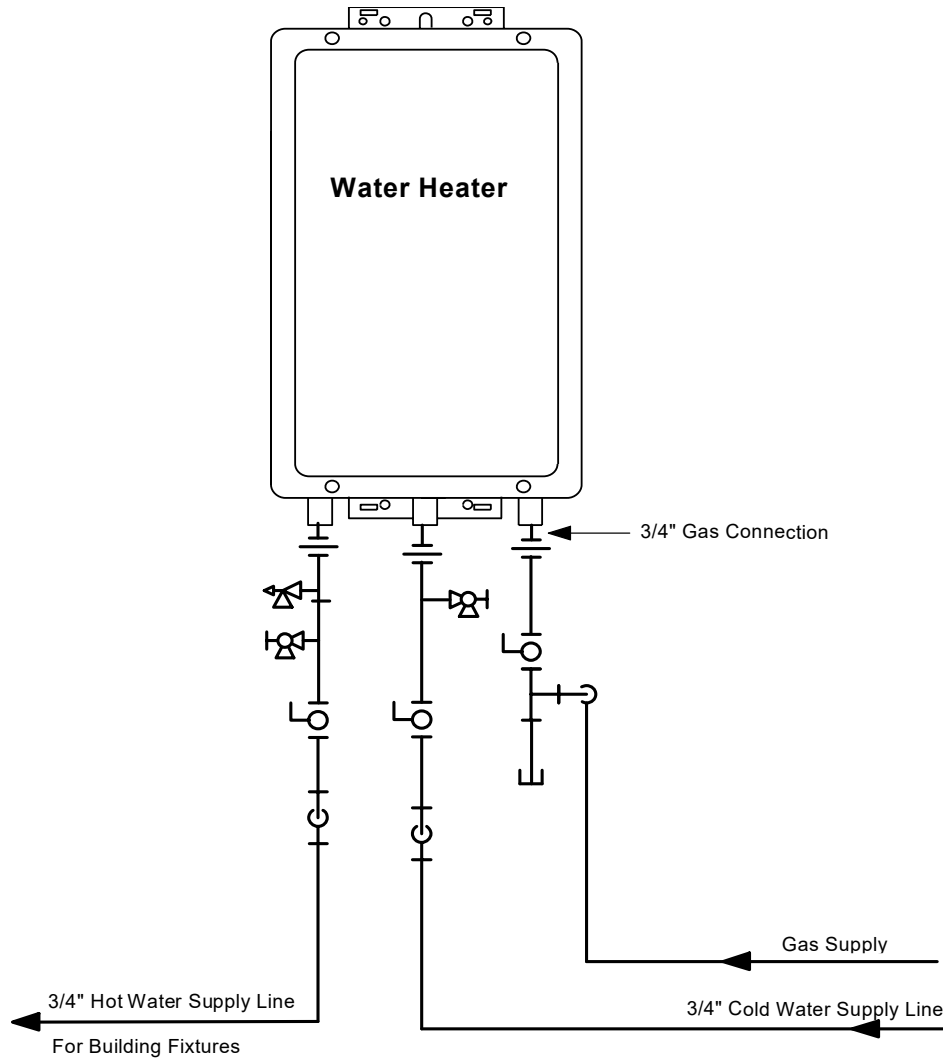
The PRV must be connected to the 3/4" threaded port on the HOT (RED) water service valve (will be adjacent to or above the shut off, never below). Installation must maintain a 3/4" port size with no shut off valve or line restriction in-between the appliance and the PRV. The discharge line from the PRV should pitch downward and terminate 6" above drains where discharge will be clearly visible. The discharge end of the line shall be plain (*unthreaded*) and a minimum of 3/4" in diameter. The discharge line material must be suitable for water at least 180° Fahrenheit. No valve of any type may be installed in the discharge line of the pressure relief valve.

Pressure Relief Valve Maintenance:

For proper care of this approved pressure relief valve, it is recommended that the valve is manually operated once a year. In doing so, it will be necessary to take precautions with regard to the discharge of potentially scalding hot water under pressure. Ensure discharge water has a safe place to flow. Contact with your body or other property may cause damage or harm.

Please note that only the PRV in this package is certified by CSA International as an approved item.

Piping Diagram for Basic Installation



KEY		This is not an engineered drawing. It is intended only as a guide and not as a replacement for professionally engineered project drawings. This drawing is not intended to describe a complete system. It is up to the contractor/engineer to determine the necessary components and configuration of the particular system being installed. This drawing does not imply compliance with local building code requirements. It is the responsibility of the contractor/engineer to ensure installation is in accordance with all local building codes. Confer with local building officials before installation.	
	3/4" Ball Valve		
	3/4" Union		Circulating Pump
	Check Valve		Boiler Drain Valve
	Pressure Relief Valve		Solenoid Valve

Connect Water Heater to Water Supply

Water connections to the tankless water heater should follow all state and local plumbing codes.

If this is a standard installation, refer to the Piping Diagram for Basic Installation.

1. Plumb water supply to the tankless water heater on the 3/4" MNPT connection at the bottom of the unit marked "Water Inlet", which is the cold water supply.
2. Plumb the building hot water supply to the 3/4" MSPT connection marked "Water Outlet", which is the hot water supply.

If a pipe cover will be installed, make sure water lines to the water heater fit.

Checklist for Plumbing

- Purge the water line of all debris and air by closing the hot isolation valve and opening the cold isolation valve and its drain. **Debris will damage the water heater.** Use a bucket or hose if necessary.
- Ensure that hot and cold water lines are not crossed to the unit and are leak free.
- Ensure that a pressure relief valve is installed with a rating that exceeds the BTU input of the water heater model. Refer to the rating plate on the side of the water heater for BTU input.
- Clean the inlet water filter by closing the cold and hot water inlet isolation (shut-off) valves. Put a bucket under the filter at the bottom of the water heater to catch any water that is contained inside the unit. Unscrew the water filter. Rinse the filter to remove any debris. Install the filter and open the isolation valves.
- Check for proper water pressure to the water heater. Minimum/Maximum water pressure is 20-150 psi. Rinnai recommends 30-80 psi for maximum performance.

Installation of Gas Supply

WARNING

1. A licensed professional must install the gas supply.
2. Turn off 120v power supply.
3. Turn off the gas.
4. Gas is flammable. Do not smoke or provide other ignition sources while working with gas.
5. Do not turn on the water heater or gas until all fumes are gone.

General Instructions

MUST DO

- A manual gas control valve must be placed in the gas supply line to the water heater. A union can be used on the connection above the shut off valve for the future servicing or disconnection of the unit.
- Check the type of gas and the gas inlet pressure before connecting the water heater. If the water heater is not of the gas type that the building is supplied with, DO NOT connect the water heater. Contact the dealer for the proper unit to match the gas type.
- Check the gas supply pressure immediately upstream at a location provided by the gas company. Supplied gas pressure must be within the limits shown in the Specifications section of this manual with all gas appliances operating.
- Before placing the appliance in operation, all joints including the heater must be checked for gas tightness by means of leak detector solution, soap and water, or an equivalent nonflammable solution, as applicable. (Since some leak test solutions, including soap and water, may cause corrosion or stress cracking, the piping shall be rinsed with water after testing, unless it has been determined that the leak test solution is non-corrosive.)
- Use approved connectors to connect the unit to the gas line. Purge the gas line of any debris before connection to the water heater.

- Any compound used on the threaded joint of the gas piping shall be a type that resists the action of liquefied petroleum gas (propane / LPG).
- The gas supply line shall be gas tight, sized, and so installed as to provide a supply of gas sufficient to meet the maximum demand of the heater and all other gas consuming appliances at the location without loss of pressure.

INFORMATION

- Refer to an approved pipe sizing chart if in doubt about the size of the gas line.

Size the gas pipe

The gas supply must be capable of handling the entire gas load required at the location. Gas line sizing is based on gas type, the pressure drop in the system, the gas pressure supplied, and gas line type. For gas pipe sizing in the United States, refer to the *National Fuel Gas Code, NFPA 54*. The below information is provided as an example. The appropriate table from the applicable code must be used.

1. For some tables, you will need to determine the cubic feet per hour of gas required by dividing the gas input by the heating value of the gas (available from the local gas company). The gas input needs to include all gas products at the location and the maximum BTU usage at full load when all gas products are in use.
2. Use the table for your gas type and pipe type to

$$\text{Cubic Feet per Hour (CFH)} = \frac{\text{Gas Input of all gas products (BTU / HR)}}{\text{Heating Value of Gas (BTU / FT}^3\text{)}}$$

find the pipe size required. The pipe size must be able to provide the required cubic feet per hour of gas or the required BTU/hour.

Example:

The heating value of natural gas for your location is 1000 BTU/FT³. The gas input of the RL94i is 199,000 BTU/HR. Additional appliances at the location require 65,000 BTU/hr. Therefore the cubic feet per hour = (199,000 + 65,000) / 1000 = 264 FT³/HR. If the pipe length is 10 feet then the 3/4 inch pipe size is capable of supplying 264 FT³/HR of natural gas.

Pipe Sizing Table - Natural Gas

Schedule 40 Metallic Pipe

Inlet Pressure: less than 2 psi (55 inches W.C.)

Pressure Drop: 0.3 inches W.C.

Specific Gravity: 0.60

cubic feet per hour

Length	Pipe Size (inches)			
	3/4	1	1 1/4	1 1/2
10	273	514	1060	1580
20	188	353	726	1090
30	151	284	583	873
40	129	243	499	747
50	114	215	442	662
60	104	195	400	600
70	95	179	368	552
80	89	167	343	514
90	83	157	322	482
100	79	148	304	455

Pipe Sizing Table - Propane Gas

Schedule 40 Metallic Pipe

Inlet Pressure: 11.0 inches W.C.

Pressure Drop: 0.5 inches W.C.

Specific Gravity: 1.50

Capacity in Thousands of BTU per Hour

Length	Pipe Size (inches)			
	1/2	3/4	1	1 1/4
10	291	608	1150	2350
20	200	418	787	1620
30	160	336	632	1300
40	137	287	541	1110
50	122	255	480	985
60	110	231	434	892
80	101	212	400	821
100	94	197	372	763

Connect Electricity

⚠ WARNING

Do not use an extension cord or an adapter plug with this appliance.

The water heater must be electrically grounded in accordance with local codes and ordinances or, in the absence of local codes, in accordance with the National Electrical Code, ANSI/NFPA No. 70.

Indoor water heaters are equipped with a three-prong (grounding) plug for your protection against shock hazard and should be plugged directly into a properly grounded three-prong receptacle. Do not cut or remove the grounding terminal from this plug.

Do not rely on the gas or water piping to ground the water heater. A screw is provided in the junction box for the grounding connection.

The water heater requires 120 VAC, 60 Hz power from a properly grounded circuit.

If using the 5 foot long power cord, plug it into a standard 3 prong 120 VAC, 60 Hz properly grounded wall outlet.

On outdoor models, a disconnect switch must be provided and installed for the incoming 120 VAC power. It should be a type that is suitable for outdoor use. Check the National Electrical Code, ANSI/NFPA 70 and your local codes for a proper switch type to use in your area.

The wiring diagram is located on the Technical Sheet attached to the inside of the front cover.



Adjustment for High Altitude Installations

On the SW1 DIP switch (tan switches), set switches 2 and 3 to the values shown in table below for your altitude. The default setting for the appliance is 0-2000 ft (0-610 m) with switches No. 2 and No. 3 in the OFF position.

When the DIP switch is adjusted, it is not necessary to adjust the gas pressure setting for high altitude.

Altitude	SW1 Switch No. 2	SW1 Switch No. 3
0-2000 ft (0-610 m)	OFF	OFF
2001-5200 ft (610-1585 m)	OFF	ON
5201-7700 ft (1585-2347 m)	ON	OFF
7701-10200 ft (2347-3109 m)	ON	ON

Adjustment for Vent Length (Indoor models only)

Adjust switch No. 1 in the SW1 DIP switch (tan switches) if required. Refer to the section "Maximum vent length".

Checklist for Gas and Electricity

- A manual gas control valve is placed in the gas line to the water heater.
- Check the gas lines and connections for leaks.
- Confirm that the gas inlet pressure is within limits.
- Confirm that the water heater is rated for the gas type supplied.
- Confirm that the electricity is supplied from 120 VAC, 60 Hz power source and is in a properly grounded circuit.
- Confirm an extension cord or an adapter plug has not been used with the water heater.
- For indoor models verify that switch No. 1 in the SW1 DIP switch (tan switches) has been adjusted for vent length if necessary. Refer to the section on Maximum Vent Length.

Installation of Temperature Controller

! WARNING

Turn the power off. Do not attempt to connect the temperature controller(s) with the power on. Although the controller is a low voltage device, there is 120 volt potential next to the temperature controller connections inside the unit.

Do not connect the temperature controller to the 120VAC terminals provided for the optional solenoid drain valves.

Indoor models have their controller built into the front panel. Additional controllers can be installed.

Controller Location

- The controller should be out of reach of small children.
- Avoid locations where the controller may become hot (near an oven or radiant heater).
- Avoid locations in direct sunlight. The digital display may be difficult to read in direct sunlight.
- Avoid locations where the temperature controller could be splashed with liquids.
- Do not install in locations where the controller can be adjusted by the public.

Cable Lengths and Sizes

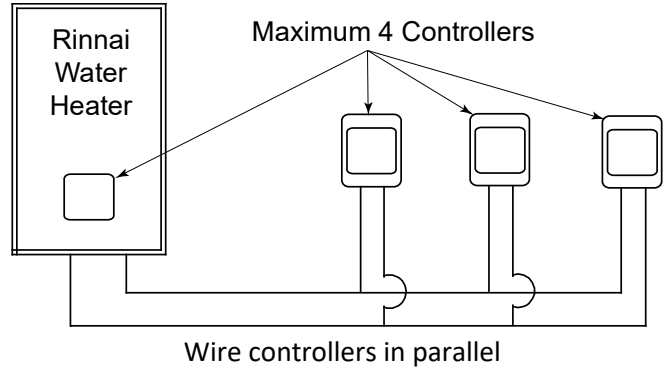
The cable for the temperature controller should be a non-polarized two-core cable with a minimum gauge of 22 AWG. The maximum cable length from each controller to the water heater depends on the total number of wired controllers connected to the water heater.

Number of Wired Controllers	Maximum Cable Length for each Controller to Water Heater
1	328 ft (100 m)
2	164 ft (50 m)
3 or 4*	65 ft (20 m)

* Only 3 additional controllers can be wired to the indoor water heater.

Configurations

A maximum of 4 temperature controllers can be installed for a water heater or bank of water heaters. This includes the controller built into an indoor water heater. Controllers can only be wired in parallel. Controllers cannot be wired in series.



The 4 temperature controllers can consist of multiple MC-91-2 or MCC-91-2 but only one BC-100V and only one MC-100V.

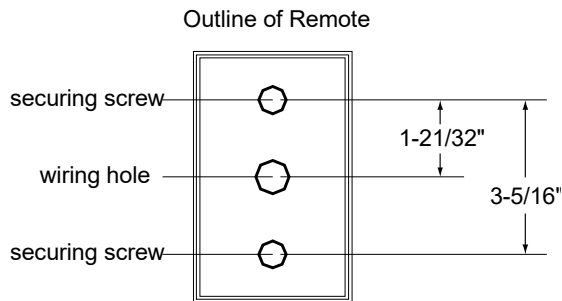
(MC-91-1 should not be installed on a unit that already has an MC-91-2 connected)

The clock function on the BC-100V will only be available if an MC-100V is also connected.

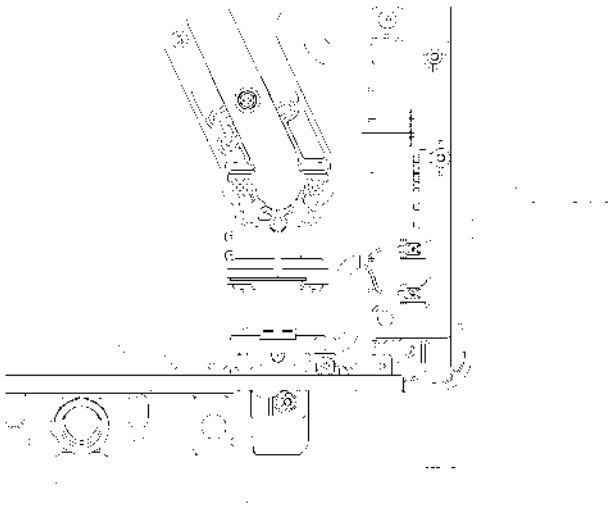
If 4 MC-91-2's are installed, simultaneously press the Priority and On/Off buttons on the fourth controller until a beep sounds.

Mounting the controller

1. Make three holes in the wall as shown.



2. Run the cable between the controller and the water heater or the controller and another controller.
3. Remove the face plate from the temperature controller using a screwdriver.
4. Connect the cable to the temperature controller.
5. Mount the controller to the wall using the holes drilled in step 1.
6. Disconnect the power from the water heater.
7. Remove the plastic cover from the PCB and electrical connections.
8. Thread the cable through the access hole at the base of the unit and connect the wires to the controller terminals on the right hand side bottom of the PCB.
9. Secure the controller cable using the clamp provided.
10. Replace plastic cover over PCB and then replace the cover of the water heater.



Final Checklist

- The water heater is not subject to corrosive compounds in the air.
- The water supply does not contain chemicals or exceed total hardness that will damage the heat exchanger.
- Clearances from the water heater unit are met.
- Clearances from the vent termination / air intake are met.
- For indoor models, ensure you have used the correct venting products for the model installed and that you have completely followed the venting manufacturer's installation instructions and these installation instructions.
- For indoor models, verify that the vent system does not exceed the maximum length for the number of elbows used.
- For indoor models verify that switch No. 1 in the SW1 DIP switch (tan switches) has been adjusted for vent length if necessary. Refer to the section on Maximum Vent Length.
- For indoor models, verify that the vent pipe has a downward slope or grade to the outside of 1/4 inch per foot (1.2°) OR, if the vent pipe is sloped toward the water heater (as some local codes require), that a condensate collector is installed to allow condensation to drain away from the water heater to a proper drain source.
- For indoor models, verify that condensate will not be allowed to drain back into the water heater.
- Purge the water line of all debris and air by closing the hot isolation valve and opening the cold isolation valve and its drain. **Debris will damage the water heater.** Use a bucket or hose if necessary.
- Ensure that hot and cold water lines are not crossed to the unit and are leak free.
- Clean the inlet water filter by closing the cold and hot water inlet isolation (shut-off) valves. Put a bucket under the filter at the bottom of the water heater to catch any water that is contained inside the unit. Unscrew the water filter. Rinse the filter to remove any debris. Install the filter and open the isolation valves.
- Ensure that a pressure relief valve is installed with a rating that exceeds the BTU input of the water heater model. Refer to the rating plate on the side of the water heater for BTU input.
- A manual gas control valve has been placed in the gas line to the water heater.
- Check the gas lines and connections for leaks.
- Confirm that the gas inlet pressure is within limits.
- Confirm that the water heater is rated for the gas type supplied.
- Confirm that the electricity is supplied from a 120 VAC, 60 Hz power source, is in a properly grounded circuit, and turned on.
- Verify the temperature controller is functioning properly.
- Verify that switches No. 2 and No. 3 in the SW1 DIP switch (tan switches) is set correctly for your altitude.
- Verify the system is functioning correctly by connecting your manometer to the gas pressure test port on the water heater. Operate all gas appliances in the home or facility at high fire. The inlet gas pressure at the water heater must not drop below that listed on the rating plate.
- DO NOT** introduce toxic chemicals such as those used for boiler water treatment to the potable water used for space heating.
- If the water heater is not needed for immediate use, then drain the water from the heat exchanger.
- Install the front panel.
- Explain to the customer the importance of not blocking the vent termination or air intake.
- Explain to the customer the operation of the water heater, safety guidelines, maintenance, and warranty.
- The installation must conform with local codes or, in the absence of local codes, with the *National Fuel Gas Code, ANSI Z223.1/NFPA 54*, or the *Natural Gas and Propane Installation Code, CSA B149.1*. If installed in a manufactured home, the installation must conform with the *Manufactured Home Construction and Safety Standard, Title 24 CFR, Part 3280* and/or *CAN/SCA Z240 MH Series, Mobile Homes*.
- Inform the consumer if the isolation valves are not installed or if a water softening system is not installed.
- Leave the entire manual taped to the water heater (indoor models), temperature controller (outdoor models), or give the entire manual directly to the consumer.**

Technical Data

Specifications

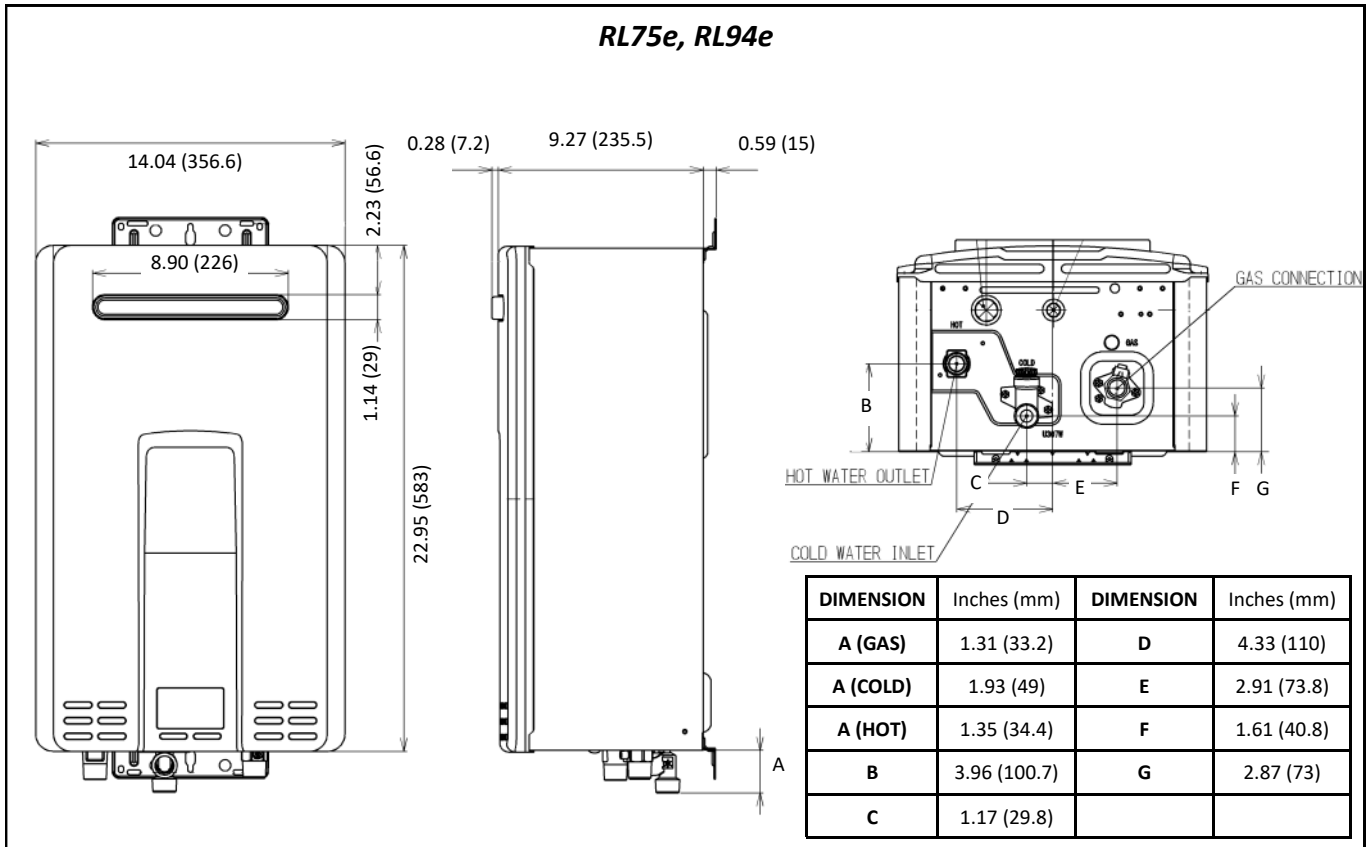
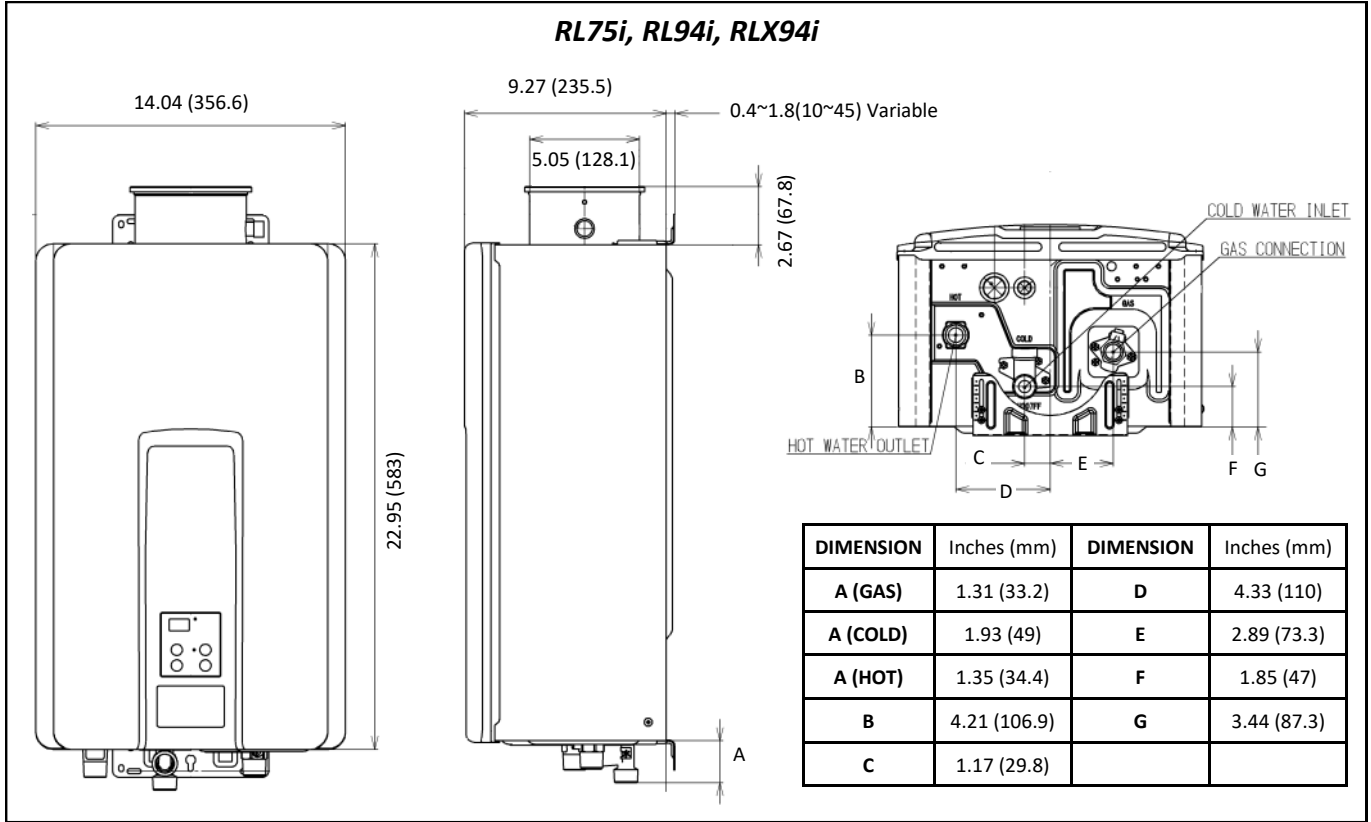
		<i>RL75i</i>	<i>RLX94i</i>	<i>RL94i</i>	<i>RL75e</i>	<i>RL94e</i>
Minimum Gas Consumption Btu/h		10,300				
Maximum Gas Consumption Btu/h		180,000	192,000	199,000	180,000	199,000
Hot water capacity (Min - Max) *		0.26 - 7.5 GPM (1.0 - 28.5 L/min)	0.26 - 9.8 GPM (1.0 - 37.0 L/min)	0.26 - 9.8 GPM (1.0 - 37.0 L/min)	0.26 - 7.5 GPM (1.0 - 28.5 L/min)	0.26 - 9.8 GPM (1.0 - 37.0 L/min)
Temperature Setting (no controller)		120° F (49° C) or 140° F (60° C)				
Maximum Temp Setting (residential)		Selectable at 120° F (49° C) or at 140° F (60° C)				
Maximum Temp Setting (MCC-91 controller)		160° F (71° C)	185° F (85° C)	185° F (85° C)	160° F (71° C)	185° F (85° C)
Minimum Temperature Setting		98° F (37° C)				
Weight		45.6 lb (20.7 kg)	46.3 lb (21.0 kg)	46.3 lb (21.0 kg)	43.6 lb (19.8 kg)	44.3 lb (20.1 kg)
Noise level		49 dB (excluding start up or shutdown)				
Electrical Data	Normal	76 W	97 W	97 W	57 W	65 W
	Standby	2 W				
	Anti-frost Protection	120 W			104 W	
	Max Current	Without recirculation pump: 4 A With recirculation pump: 8 A (exact value depends on the pump)				
	Fuse	10 A				
By-Pass Control		Fixed	Electronic	Electronic	Fixed	Electronic
Gas Supply Pressure	Natural Gas	4.0 - 10.5 inch W.C.				
	Propane	8.0 - 13.5 inch W.C.				
Type of Appliance		Direct Vent, Tankless, Temperature controlled continuous flow gas hot water system				
Connections		Gas Supply: 3/4" MNPT, Cold Water Inlet: 3/4" MNPT, Hot Water Outlet: 3/4" MNPT				
Ignition System		Direct Electronic Ignition				
Electric Connections		Appliance: AC 120 Volts, 60Hz. Temperature Controller: DC 12 Volts (Digital)				
Water Temperature Control		Simulation Feedforward and Feedback				
Water Supply Pressure		Minimum Water Pressure: 20 PSI (Recommended 30-80 PSI for maximum performance)				
Maximum Water Supply Pressure		150 PSI				
Temperature Control Cable		Non-Polarized Two Core Cable (Minimum 22 AWG)				
Certified for installation in manufactured (mobile) homes		Yes				
Complies with South Coast Air Quality Management District 14 ng/J or 20 ppm NOx emission levels		Yes	Yes	No	Yes	Yes

* Minimum flow may vary slightly depending on the temperature setting and the inlet water temperature.
Minimum activation flow is 0.4 GPM (1.5 L/min).

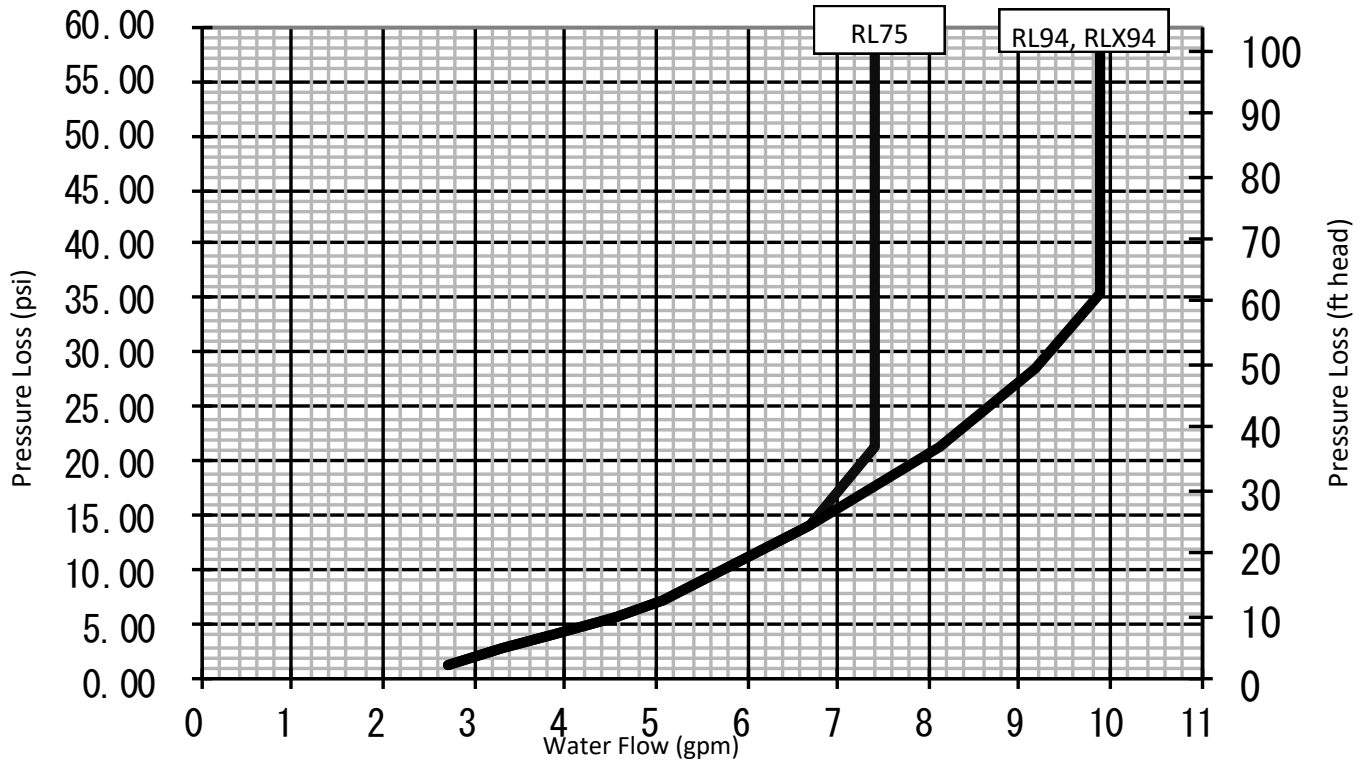
Our products are continually being updated and improved; therefore, specifications are subject to change without prior notice.
The maximum inlet gas pressure must not exceed the value specified by the manufacturer. The minimum value listed is for the purpose of input adjustment.

Dimensions

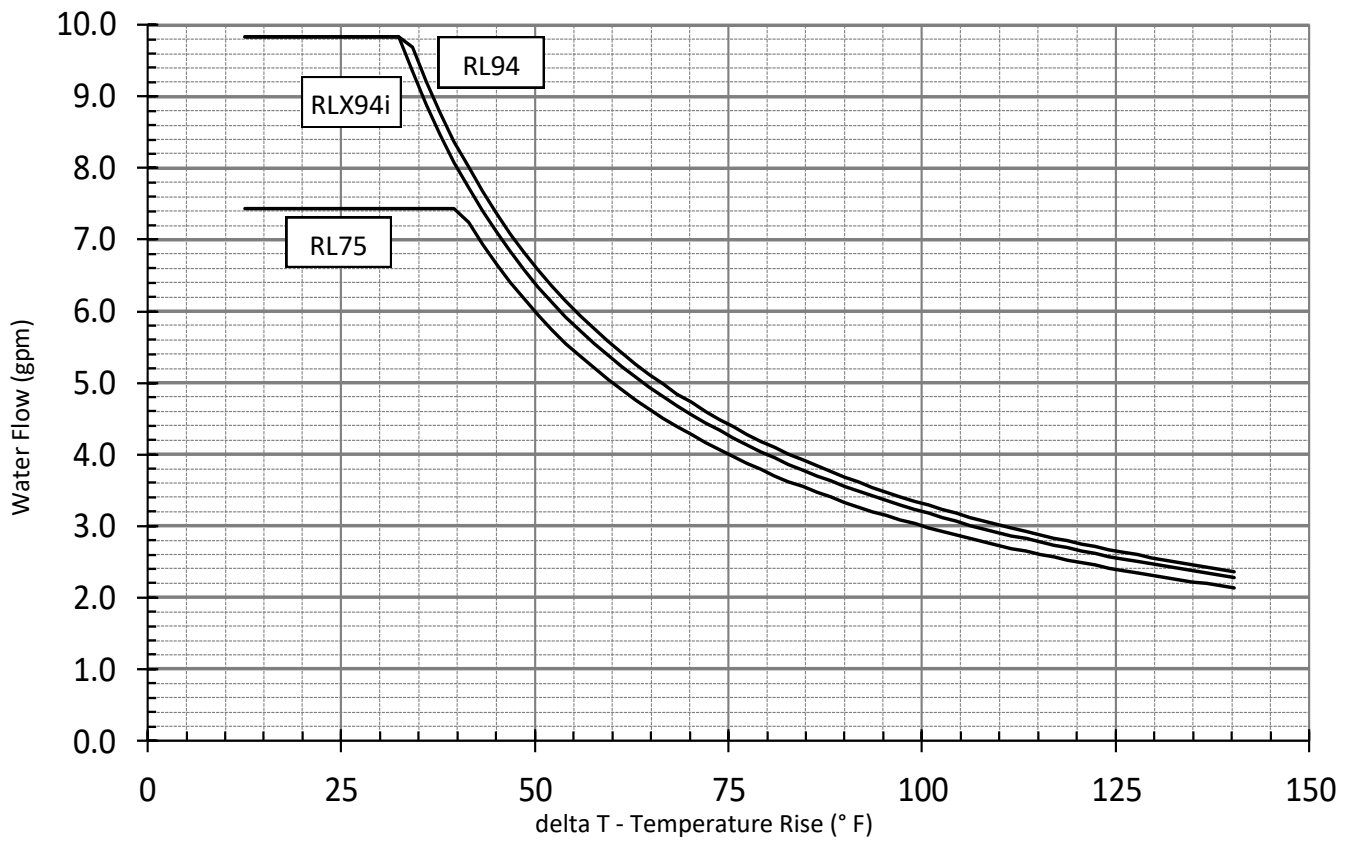
Inches (millimeters)



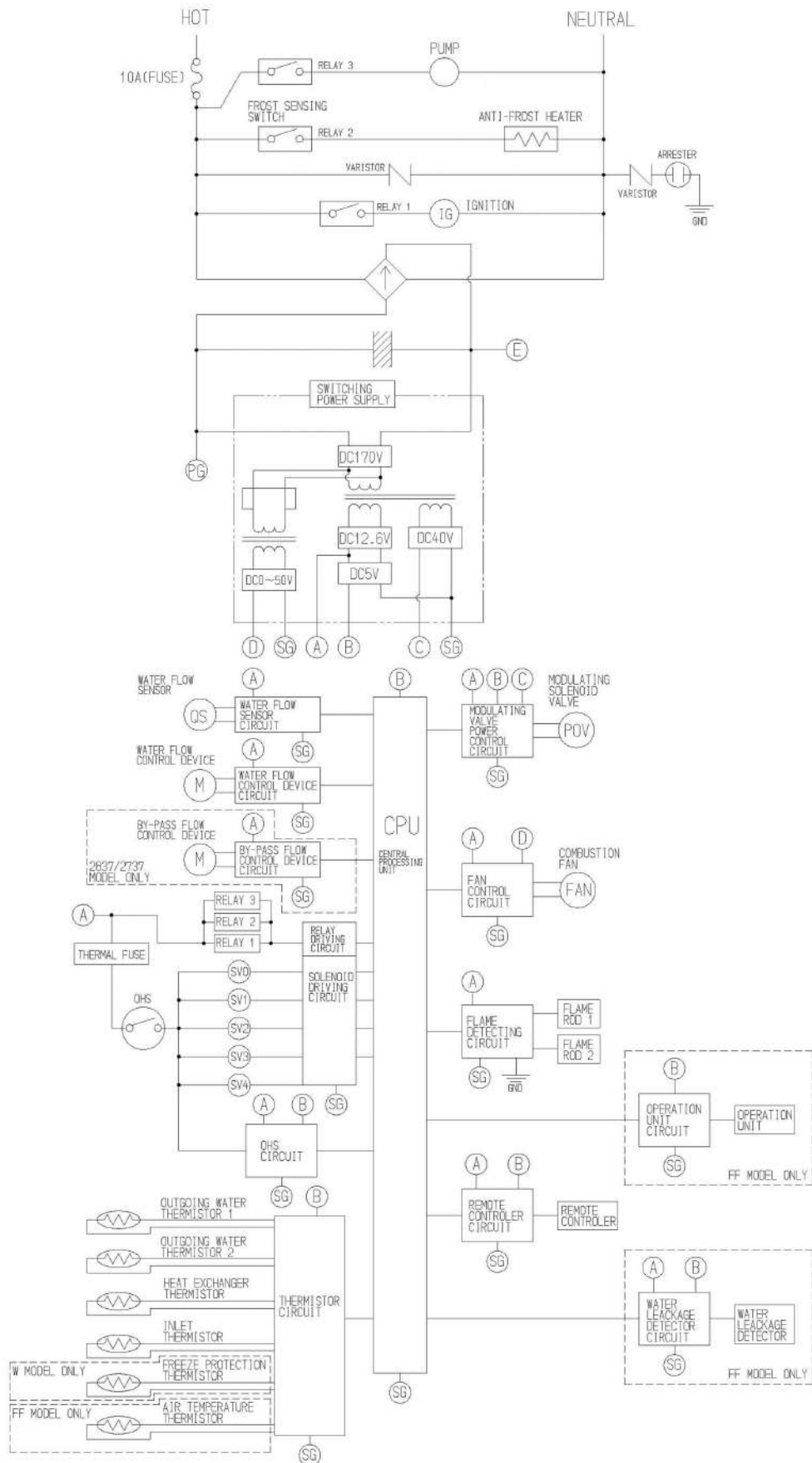
Pressure Drop Curve



Water Flow Curve



Ladder Diagram



Recirculation Mode

The Rinnai water heater has the ability to control a recirculation pump. Two modes are available, Economy and Comfort, which recirculate the water in the plumbing system to provide hot water more quickly when a tap is opened.

Recirculation mode is for residential installations only. Recirculation mode cannot be used with the Bath Fill controller (BC-100V), an air handler, or with multiple Rinnai water heaters.

The maximum Rinnai temperature setting while in recirculation mode is 140°F (60°C).

Pump Requirements

Voltage: 120V, 60 Hz

Amperage: less than 2 amps

NOTE: The Rinnai PC board will be damaged if amperage exceeds 2 Amps.

In-rush current: Less than 2.5 Amps.

Check valve: An integral flow check (IFC) valve is required. See plumbing diagram.

Pump Size

The pump should be sized for 2.5 GPM at the pressure loss through the tankless water heater and the supply and return plumbing in the recirculation loop.

For more information on sizing the pump refer to the Rinnai Circ-Logic™ Guide or the section “Pump Sizing for Circulation” in the Rinnai Hot Water System Design Manual.

Installation

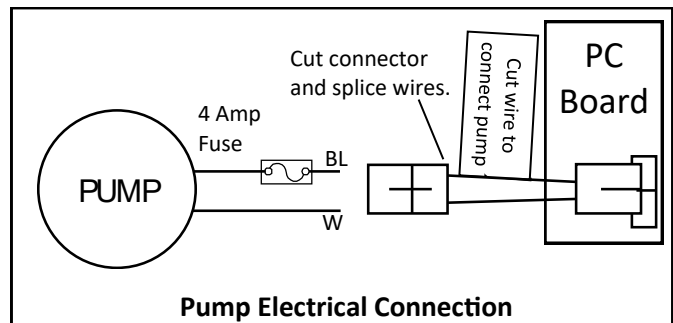
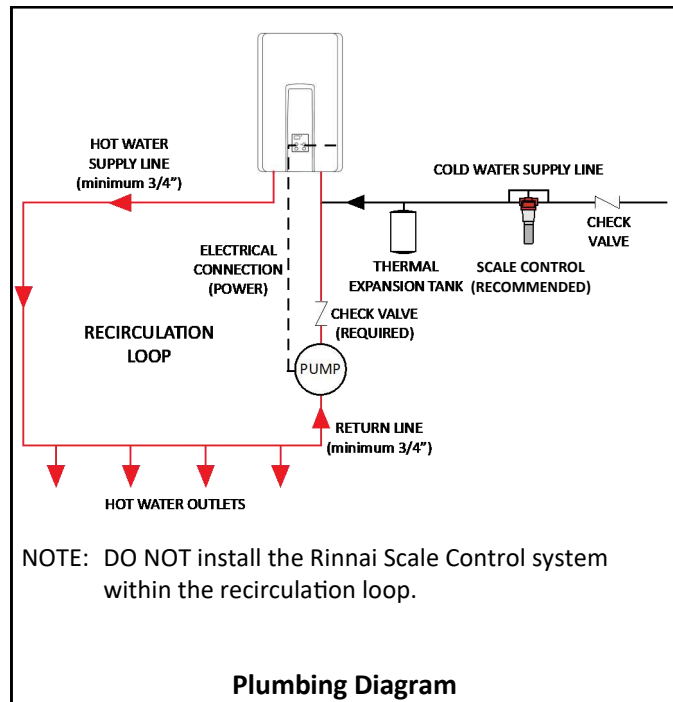
1. Turn off the electrical power supply by unplugging the power cord or by turning off the electricity at the circuit breaker.
2. Install the recirculation pump on the return line according to the pump manufacturer installation instructions. Install a check valve in the return line as shown in the Plumbing Diagram if one is not integrated into the pump.
3. The wire harness for the recirculation pump is bundled with the wire harness from the PC board. The connector has a black and white wire with the label “Cut wire to connect to pump”. To connect to the pump, cut the connector, splice the wires, and add 4 Amp fuse to the hot wire (black) of the pump. Connect the ground wire from the pump to a screw at the base of the water cabinet. Refer to the Pump Electrical Connection Diagram. Follow Electrical Code and pump manufacturers

recommendations.

4. Adjust the dip switch by moving the 4th switch in the white set of switches (SW2) to ON. For Economy mode, set the 8th switch in the white set of switches (SW2) to OFF (default). For Comfort mode, set the 8th switch in the white set of switches (SW2) to ON.

Settings for SW2 (bank of white switches)		
	Switch 4	Switch 8
Economy Mode	ON	OFF
Comfort Mode	ON	ON

5. Connect power to the water heater. Press the Power button on the controller. The pump and water heater will turn on to raise the recirculation loop temperature.



Recirculation Mode

Sequence of Operation

DIP switches (SW2 - white switches, #4, #8) should be set correctly for recirculation and mode. The Rinnai water heater should be turned on.

Pump recirculation begins when the water heater is turned on. The Rinnai inlet and outlet thermistors measure the water temperature.

The water heater produces hot water at the temperature setting. If the inlet thermistor detects abnormal temperature then diagnostic code 51 is generated and the pump will turn off.

When the return water temperature reaches approximately 15°F (8.3°C) below the temperature setting, the water heater and pump will turn off.

The cycle will restart at the approximate time interval in the table based on the temperature thermistor readings.

Economy Mode

The Economy mode operates as follows:

- Less energy consumed due to fewer pump cycles
- Assumes plumbing is insulated (minimal pipe heat loss)
- Pump cycles on every 31 to 79 minutes (see table).

Comfort Mode

The Comfort mode operates as follows:

- Higher energy consumption due to more pump cycles
- Assumes plumbing is not insulated resulting in higher pipe heat loss
- Pump cycles on every 15 to 39 minutes (see table).

Rinnai Temperature Setting °F	Typical Pump ON Intervals*	
	Economy Mode	Comfort Mode
140	31	15
135	31	15
130	31	15
125	31	15
120	31	15
115	35	18
110	42	21
108	45	22
106	49	24
104	54	27
102	60	30
100	68	34
98	79	39

* The pump will cycle on at these calculated intervals which are based on the temperature setting, insulation, and estimated heat loss in the system. The values for your installation may vary.

The optional MC195T-US controller provides a timer function to control the on/off periods of the recirculation pump.





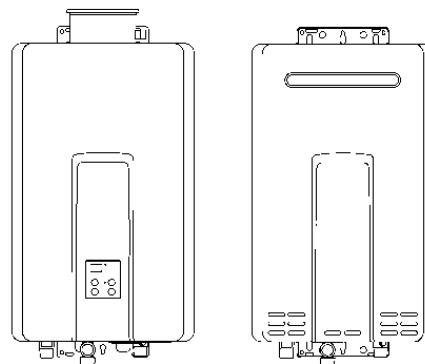
Direct Vent Tankless Water Heater Operation Instructions

FOR INDOOR APPLICATIONS ONLY

RL75i..... REU-VC2528FFUD-US
 REU-VC2528FFUD-US(A)
RLX94i..... REU-VC2737FFUD-US
RL94i..... REU-VC2837FFUD-US

FOR OUTDOOR APPLICATIONS ONLY

RL75e REU-VC2528WD-US
 REU-VC2528FFUD-US(A)
RL94e REU-VC2837WD-US



Important Facts about your Water Heater

Thank you for purchasing a Rinnai Tankless Water Heater. For proper operation and safety, it is important to follow the instructions and adhere to the safety precautions.

Read all of the instructions and the warranty thoroughly before operating this water heater. Keep this manual in a safe place.

NOTICE: Rinnai sometimes shares customer contact information with businesses that we believe provide products or services that may be useful to you. By providing this information, you agree that we can share your contact information for this purpose. If you prefer not to have your information shared with these businesses, please contact customer service and ask not to have your information shared. We will however, continue to contact you with information relevant to the product(s) you registered and/or you account with us.



WARNING

If the information in these instructions is not followed exactly, a fire or explosion may result causing property damage, personal injury, or death.

- Do not store or use gasoline or other flammable vapors and liquids in the vicinity of this or any other appliance.
- WHAT TO DO IF YOU SMELL GAS
 - Do not try to light any appliance.
 - Do not touch any electrical switch; do not use any phone in your building.
 - Immediately call your gas supplier from a neighbor’s phone. Follow the gas supplier’s instructions.
 - If you cannot reach your gas supplier, call the fire department.
- Installation and service must be performed by a licensed professional.

Consumer Operation Guidelines for the Safe Operation of your Water Heater

FOR YOUR SAFETY READ BEFORE OPERATING





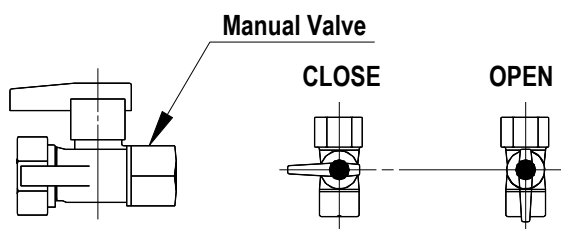
WARNING

If you do not follow these instructions exactly, a fire or explosion may result causing property damage, personal injury, or loss of life.


- A. This appliance does not have a pilot. It is equipped with an ignition device which automatically lights the burner. Do not try to light the burner by hand.
- B. BEFORE OPERATING smell all around the appliance area for gas. Be sure to smell next to the floor because some gas is heavier than air and will settle on the floor.
- WHAT TO DO IF YOU SMELL GAS
- Do not try to light any appliance.
 - Do not touch any electric switch; do not use any phone in your building.
 - Immediately call your gas supplier from a neighbor's phone. Follow the gas supplier's instructions.
 - If you cannot reach your gas supplier, call the fire department.
- C. Use only your hand to push in or turn the gas control knob. Never use tools. If the knob will not push in or turn by hand, do not try to repair it, call a qualified licensed professional. Force or attempted repair may result in a fire or explosion.
- D. Do not use this appliance if any part has been under water. Immediately call a qualified licensed professional to inspect the appliance and to replace any part of the control system and any gas control which has been under water.

OPERATING INSTRUCTIONS

1. **STOP!** Read the safety information above.
2. Set the thermostat to lowest setting.
3. Turn off all electric power to the appliance using the ON/OFF button.
4. This appliance is equipped with an ignition device which automatically lights the burner. Do not try to light the burner by hand.
5. Locate the manual gas valve on the side of the heater. Turn the manual valve clockwise to the full OFF position. 
6. Wait five (5) minutes to clear out any gas. Then smell for gas, including near the floor. If you smell gas, STOP! Follow "B" in the safety information above. If you don't smell gas, go to the next step.
7. Turn the manual gas valve counterclockwise to the full ON position. 
8. Turn on all electric power to the appliance using the ON/OFF button.
9. Set the thermostat to desired setting.
10. Open a hot water tap. If the appliance will not operate, follow the instructions "To Turn Off Gas To Appliance" and call your licensed professional or gas supplier. See manual for additional information.



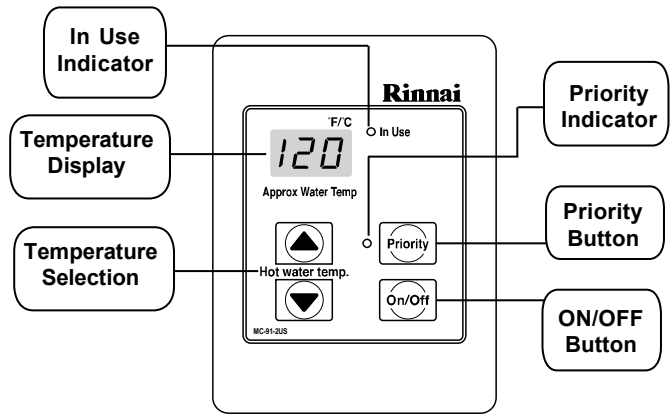
TO TURN OFF GAS TO APPLIANCE

1. Turn off all electric power to the appliance using the ON/OFF button.
2. Set the thermostat to lowest setting.
3. Locate the manual gas valve on the side of the heater. Turn the manual valve clockwise to the full OFF position. 

How to use the Temperature Controller

The MC-91-2 controller is the standard temperature controller that is supplied with the water heater. On indoor models it is integrated into the front panel. The MCC-91-2 controller is for hydronic applications requiring higher temperatures. When the MCC-91-2 controller is connected, these higher temperatures are available on all controller models in the system. Refer to the section on temperature ranges.

DO NOT repeatedly operate the water heater and then use a hot water tap while the controller is turned off. Operating the water heater in this way to alternately produce hot water may cause water to condense on the outside of internal parts and accumulate in the water heater cabinet.



Dimensions (inches): 3.5 W x 4.75 H x 0.75 D


WARNING

- Before operating, smell all around the appliance area for gas. Be sure to smell next to the floor because some gas is heavier than air and will settle on the floor.
- Keep the area around the appliance clear and free from combustible materials, gasoline, and other flammable vapors and liquids.
- Always check the water temperature before entering a shower or bath.
- Do not use this appliance if any part has been under water. Immediately call a licensed professional to inspect the appliance and to replace any part of the control system and any gas control which has been under water.
- Should overheating occur or the gas supply fail to shut off, turn off the manual gas control valve to the appliance.
- Do not adjust the DIP switch unless specifically instructed to do so.
- Do not use an extension cord or an adapter plug with this appliance.
- Any alteration to the appliance or its controls can be dangerous and will void the warranty.
- If you install this water heater in an area that is known to have hard water or that causes scale build-up the water must be treated and/or the heat exchanger flushed regularly. Rinnai provides a "Scale Control System" that offers superior lime scale prevention and corrosion control by feeding a blend of control compounds into the water supply. Damage and repair due to corrosive compounds in the air is not covered by warranty.
- Keep the air intake location free of chemicals such as chlorine or bleach that produce fumes. These fumes can damage components and reduce the life of your appliance. Damage and repair due to scale in the heat exchanger is not covered by warranty.

How to Set the Temperature

This water heater requires a minimum flow rate to operate. This rate can be found on the specification page in this manual. In some cases when you are not getting hot water or if the water alternates between hot and cold, it is due to the water flow being below or close to the minimum flow rate. Increasing the flow rate should resolve these problems in these cases.

If you are experiencing issues with higher temperature settings, then reduce the temperature setting. Selecting a temperature closer to that which is actually used at the faucet will increase the amount of hot water being delivered to the faucet, due to less cold water mixing at the fixture.

	<p>Water temperatures over 125° F (52° C) can cause severe burns or scalding resulting in death.</p> <p>Hot water can cause first degree burns with exposure for as little as:</p> <ul style="list-style-type: none"> 3 seconds at 140° F (60° C) 20 seconds at 130° F (54° C) 8 minutes at 120° F (49° C) <p>Children, disabled, or elderly are at highest risk of being scalded.</p> <p>Feel water before bathing or showering.</p>
--	--



1. If the water heater is off, press the Power button to turn on.
2. If the Priority light is off, then press the "Priority button" on the temperature controller. The green Priority light will glow indicating that this controller is controlling the temperature and that the water heater is ready to supply hot water. (The priority can only be changed while no hot water is running.)



Hot water temp.



3. Press the up or down buttons to obtain the desired temperature setting.
- All hot water sources are able to provide water at this temperature setting until it is changed again at this or another temperature controller.

NOTICE

While any hot water is being provided, the temperature setting can only be adjusted between 98° F and 110° F.

NOTICE

Check local codes for the maximum water temperature setting allowed when used in nursing homes, schools, day care centers, and all other public applications.

NOTICE

If a newly installed unit with a controller has not been powered for at least 6 hours then the temperature will return to the default setting of 104° F (40° C) if power is interrupted.

NOTICE

There may be a variation between the temperature displayed on the temperature controller and the temperature at the tap due to weather conditions or the length of pipe to the water heater.

Temperatures Available with a Controller

The water heater can deliver water at only one temperature setting at a time. The available temperatures are provided below. A temperature lower than 98° F (37° C) can be obtained at the tap by mixing with cold water.

To change the temperature scale from Celsius to Fahrenheit or vice versa, press and hold the “On/Off” button for 5 seconds while the water heater is OFF.

Temperature Settings Available (Fahrenheit °F)																
RL75i, RL75e																
RL94i, RLX94i, RL94e	98	100	102	104	106	108	110	115	120	125*	130*	135*	140*	150**	160**	185**
Celsius °C	37	38	39	40	41	42	43	46	49	52	54	57	60	66	71	85

* Temperature settings from 125-140 °F (52-60 °C) are available by setting switch 6 to ON in the SW1 Dip switch (tan switches). These models have a default maximum temperature of 120° F (49° C) and an option (switch 6) to increase the maximum temperature to 140 °F (60 °C).

** These settings require the MCC-91-2 controller. When the MCC-91-2 controller is connected, these higher temperatures are available on all controller models in the system. Use of an MCC-91-2 controller in a residential dwelling will reduce the warranty coverage to that of a commercial warranty application.

WARNING DO NOT adjust the other switches unless specifically instructed to do so.

- These temperatures are suggestions only:**
- Kitchen 120 °F (49° C)
 - Shower 98 - 110 °F (37 - 43 °C)
 - Bath Fill 102 - 110 °F (39 - 43 °C)

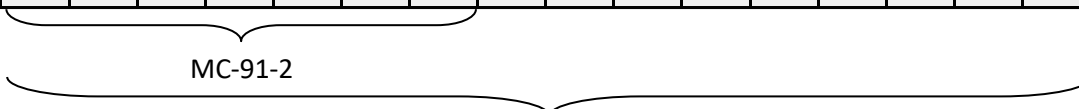
Alternate Temperature Settings

A different range of temperature settings is available by setting switches 2 and 3 of the SW2 dip switch (white switches) to ON. The table below shows the settings available with the MC-91-2 and MCC-91-2 controller.

WARNING MC-91-1, MCC-91-1, MC-100V-1, and BC-100V-1 controllers are not compatible with Alternate Temperature Settings. Alternate Temperature Settings are for commercial applications only.

DO NOT use the MC-91-1, MCC-91-1, MC-100V-1, or BC-100V-1 controllers when dip switches 2 and 3 (white switches) are in the ON position.

Alternate Temperature Settings Available (Fahrenheit °F)																
RL75i, RL75e																
RL94i, RLX94i, RL94e	110	115	120	125	130	135	140	145	150	155	160	165	170	175	180	185
Celsius °C	43	46	49	52	54	57	60	63	66	68	71	74	77	79	82	85



Temperature Options Without a Temperature Controller

The default temperature setting for this appliance installed without a temperature controller is 120° F (49° C). If desired, the temperature setting can be changed to 140° F (60° C) by adjustment of a switch.

In the SW1 Dip switch (tan switches), set switch 5 to ON to obtain 140° F water temperature setting. Set switch 5 to OFF (default) to obtain 120° F water temperature setting. If a temperature controller is installed, then switch 5 has no effect on temperature settings.

Setting Controller to Mute

On the MC-91-2 to eliminate the beeps when keys are pressed or to turn the beeps back on, press and hold both the up and down buttons until a beep is heard (approximately 5 seconds).

Locking the Controller

The MC-91-2 controller can be locked by pressing the Priority button and the up button together for 5 seconds. A beep will sound confirming that the controller is locked. The display will alternately show “LOC”, the temperature setting, and a diagnostic code if one has been activated. All of the controllers in the system are also locked.

To unlock the controller press the Priority button and the up button together for 5 seconds.

Diagnostic Codes

This water heater is designed to display diagnostic codes. If there is a potential operation concern refer to the code and remedy on the next page.

To Display Diagnostic Information

To display the most recent diagnostic information codes press and hold the “On/Off” button for 2 seconds on the MC-91-2 controller. While holding the “On/Off” button press the up button. The last 9 diagnostic codes will flash one after the other. To exit this mode press the “On/Off” and up button as before.

To enter or exit the maintenance monitor information mode press and hold the down button for 2 seconds and without releasing it press the ON/OFF button.

To obtain the water flow rate press the up or down buttons until “01” displays. The water flow rate will then appear. For example “58” means 5.8 gal/min.

To obtain the outgoing water temperature press the up or down buttons until “02” displays. The temperature will appear in degrees Fahrenheit.

No.	Data	Unit
01	Water flow rate	0.1 gal/min
02	Outgoing water temperature	Degrees Fahrenheit

Diagnostic Codes and Remedies



WARNING

Some of the checks below should be done by a licensed professional. Consumers should never attempt any action that they are not qualified to perform.

Code	Definition		Remedy
03	Power interruption during Bath Fill (Water will not flow when power returns).		Turn off all hot water taps. Press ON/OFF twice.
10	Air Supply or Exhaust Blockage		Check that nothing is blocking the flue inlet or exhaust. Check all vent components for proper connections.
		licensed professional only	Ensure approved venting materials are being used. Ensure vent length is within limits. Verify dip switches are set properly. Check fan for blockage.
11	No Ignition (heater not turning on)		Check that the gas is turned on at the water heater, gas meter, or cylinder. If the system is propane, make sure that gas is in the tank. Ensure appliance is properly grounded.
		licensed professional only	Ensure gas type and pressure is correct. Ensure gas line, meter, and/or regulator is sized properly. Bleed all air from gas lines. Verify dip switches are set properly. Ensure igniter is operational. Check igniter wiring harness for damage. Check gas solenoid valves for open or short circuits. Remove burner cover and ensure all burners are properly seated. Remove burner plate and inspect burner surface for condensation or debris. Check the ground wire for the PC board.
12	No Flame		Check that the gas is turned on at the water heater, gas meter, or cylinder. Check for obstructions in the flue outlet. If the system is propane, make sure that gas is in the tank.
		licensed professional only	Ensure gas line, meter, and/or regulator is sized properly. Ensure gas type and pressure is correct. Bleed all air from gas lines. Ensure proper venting material was installed. Ensure condensation collar was installed properly. Ensure vent length is within limits. Verify dip switches are set properly. Check power supply for loose connections. Check power supply for proper voltage and voltage drops. Ensure flame rod wire is connected. Check flame rod for carbon build-up. Disconnect and reconnect all wiring harnesses on unit and PC board. Check for DC shorts at components. Check gas solenoid valves for open or short circuits. Remove burner plate and inspect burner surface for condensation or debris.
14	Thermal Fuse has activated		Check for restrictions in air flow around unit and vent terminal.
		licensed professional only	Ensure dip switch 5 in the second bank of dip switches (white) is in the off position. Check gas type of unit and ensure it matches gas type being used. Check for low water flow in a circulating system causing short-cycling. Ensure dip switches are set to the proper position. Check for foreign materials in combustion chamber and/or exhaust piping. Check heat exchanger for cracks and/or separations. Check heat exchanger surface for hot spots which indicate blockage due to scale build-up. Refer to instructions in manual for flushing heat exchanger. Hard water must be treated to prevent scale build up or damage to the heat exchanger. Measure resistance of safety circuit. Ensure high fire and low fire manifold pressure is correct. Check for improper conversion of product.
16	Over Temperature Warning (safety shutdown because unit is too hot)		Check for restrictions in air flow around unit and vent terminal.
		licensed professional only	Check for low water flow in a circulating system causing short-cycling. Check for foreign materials in combustion chamber and/or exhaust piping. Check for blockage in the heat exchanger.

Code	Definition		Remedy
19	Electrical Grounding		Check all components for electrical short.
32	Outgoing Water Temperature Sensor	licensed professional only	Check sensor wiring for damage. Measure resistance of sensor. Clean sensor of scale build-up. Replace sensor.
33	Heat Exchanger Outgoing Temperature Sensor		Check for restrictions in air flow around unit and vent terminal. Check sensor wiring for damage. Measure resistance of sensor. Clean sensor of scale build-up. Ensure fan blade is tight on motor shaft and is in good condition. Replace sensor.
34	Combustion Air Temperature Sensor		Check sensor wiring for damage. Measure resistance of sensor. Clean sensor of scale build-up. Replace sensor.
41	Outside temperature thermistor (outdoor models only)		Check modulating gas solenoid valve wiring harness for loose or damaged terminals. Measure resistance of valve coil.
51	Inlet water temperature thermistor		Ensure fan will turn freely. Check wiring harness to motor for damaged and/or loose connections. Measure resistance of motor winding.
52	Modulating Solenoid Valve Signal		The water flow control valve has failed to close during the bath fill function. Immediately turn off the water and discontinue the bath fill function. Contact a licensed professional to service the appliance.
61	Combustion Fan		Check PC board DIP switches for correct position. Check the connection harness at the connection on the PC board. Replace PC board.
65	Water Flow Control		Replace the PC Board.
70	PC Board		Replace PC Board
71	Solenoid Valve Circuit		Water has been detected at the bottom of the unit. Turn off water supply. Check all plumbing internally for leakage.
72	Flame Sensing Device		
79	Water Leak Detected		
LC # (LC0, LC1, LC2,...)	Scale Build-up in Heat Exchanger (when checking maintenance code history, "00" is substituted for "LC")		LC0~LC9 indicates that there is scale build up in the heat exchanger and that the heat exchanger needs to be flushed to prevent damage. Refer to the flushing instructions in the manual. Hard water must be treated to prevent scale build up or damage to the heat exchanger. To operate the water heater temporarily until the heat exchanger can be flushed, push the On/Off button on the temperature controller 5 times. Repeated LC codes will eventually lockout the water heater. Please call Rinnai technical department.
FF	Maintenance has been performed		Indicates a licensed professional performed maintenance or corrected an issue.
No code	Nothing happens when water flow is activated.		Clean inlet water supply filter. On new installations ensure hot and cold water lines are not reversed. Verify you have at least the minimum flow rate required to fire unit.
		licensed professional only	Check for cold to hot cross over. Isolate circulating system if present. Turn off cold water to the unit, open pressure relief valve; if water continues to flow, there is bleed over in your plumbing. Verify turbine spins freely. Measure the resistance of the water flow control sensor. If the display is blank and clicking is coming from the unit, disconnect the water flow servo motor (GY, BR, O, W, P, BL, R). If the display comes on then replace the water flow servo motor.

Required Maintenance

The appliance and vent system must be inspected annually by a licensed professional. Repairs and maintenance should be performed by a licensed professional. The licensed professional must verify proper operation after servicing.

WARNING

To protect yourself from harm, before performing maintenance:

- Turn off the electrical power supply by unplugging the power cord or by turning off the electricity at the circuit breaker. (The temperature controller does not control the electrical power.)
- Turn off the gas at the manual gas valve, usually located immediately below the water heater.
- Turn off the incoming water supply. This can be done at the isolation valve immediately below the water heater or by turning off the water supply to the building.

WARNING

Keep the appliance area clear and free from combustible materials, gasoline, and other flammable vapors and liquids.

The following maintenance items are required for the proper operation of your water heater.

The appliance must be inspected annually by a licensed professional. Repairs and maintenance should be performed by a licensed professional. The licensed professional must verify proper operation after servicing.

Cleaning

It is imperative that control compartments, burners, and circulating air passageways of the appliance be kept clean.

Clean as follows:

1. Turn off and disconnect electrical power. Allow to cool.
2. Close the water shut off valves. Remove and clean the water inlet filter.
3. Remove the front panel by removing 4 screws.
4. Use pressurized air to remove dust from the main burner, heat exchanger, and fan blades. Do not use a wet cloth or spray cleaners on the burner. Do not use volatile substances such as benzene and thinners. They may ignite or fade the paint.
5. Use soft dry cloth to wipe cabinet.

Vent System

The vent system and condensate collector (located at top of unit) should be inspected at least annually for blockages or damage. If the vent and/or condensate collector is blocked contact a licensed professional.

Motors

Motors are permanently lubricated and do not need periodic lubrication. However you must keep fan and motor free of dust and dirt by cleaning annually.

Temperature Controller

Use a soft damp cloth to clean the temperature controller. Do not use solvents.

Lime / Scale Build-up

If you receive diagnostic code "LC#" (LC1, LC2,...), refer to the procedure, *Flushing the Heat Exchanger*. Refer to the section on *Water Quality* to see if your water needs to be treated or conditioned. (When checking maintenance code history, "00" is substituted for "LC#".)

The water must be potable, free of corrosive chemicals, sand, dirt, or other contaminants. It is up to the installer to ensure the water does not contain corrosive chemicals, or elements that can affect or damage the heat exchanger. Water that contains chemicals exceeding the levels below affect and damage the heat exchanger. Replacement of the heat exchanger due to water quality damage is not covered by the warranty.

Snow Accumulation

Keep the area around flue terminal free of snow and ice. The appliance will not function properly if the intake air or exhaust is impeded (blocked or partially blocked) by obstructions.

Coastal Installations

Installations located in or near coastal areas may require additional maintenance due to corrosive airborne ocean salt.

Clean the water filter

Clean the inlet water filter by closing the cold and hot water inlet isolation (shut-off) valves. Put a bucket under the filter at the bottom of the water heater to

catch any water that is contained inside the unit. Unscrew the water filter. Rinse the filter to remove any debris. Install the filter and open the isolation valves.

WARNING

Testing the pressure relief valve should only be performed by a licensed professional. Water discharged from the pressure relief valve could cause severe burns instantly or death from scalds.

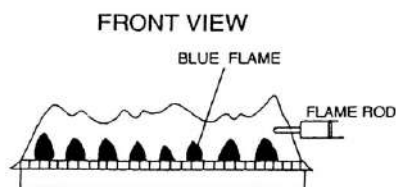
Pressure Relief Valve:

Operate the valve manually once a year. In doing so, it will be necessary to take precautions with regard to the discharge of potentially scalding hot water under pressure. Ensure discharge water has a safe place to flow. Contact with your body or other property may cause damage or harm.

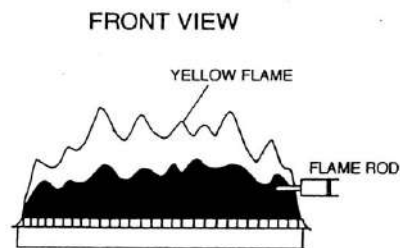
Visual Inspection of Flame

Verify proper operation after servicing. The burner must flame evenly over the entire surface when operating correctly. The flame must burn with a clear, blue, stable flame. See the parts breakdown of the burner for the location of the view ports. The flame pattern should be as shown in the figures below.

SATISFACTORY



UNSATISFACTORY



Freeze Protection

Make sure in case of freezing weather that the water heater and its water lines are adequately protected to prevent freezing. Damage due to freezing is not covered by the warranty. Refer to the section on Freeze Protection. The unit may be drained manually. However, it is highly recommended that:

- drain down solenoid valves be purchased and installed that will automatically drain the unit if power is lost. These are available in a kit, 104000059. (The condensate trap is not affected by the auto drain down solenoid valves and will have to be manually drained.)
- a surge protector with terminals be purchased and installed which allows the solenoid valves to operate if the unit is disabled due to a diagnostic code. This is available as 104000057.

Winterizing

These recommendations are intended to suggest practices that are effective for winterizing the water heater. They should be used as a guide only. No liability is assumed for any issues resulting from the use of this information.

GAS

Shut off the gas to the water heater. It is generally preferable to shut off the gas service to the entire location if gas is not going to be used.

WATER

Shut off the cold water supply to the water heater. It is generally preferable to shut off the water to the entire location if water is not going to be used.

Drain the water heater by opening the drain valves on the cold water line and hot water line.

Open several hot water taps and remove the filter assembly at the water inlet in order to allow room for expansion in case there is water in the lines that freeze. Compressed air may be used to purge any water left in the system.

ELECTRIC

Disconnect the power supply by either unplugging the electrical cord or by turning off the circuit breaker to the water heater to prevent potential damage from irregular power surges or interruptions.

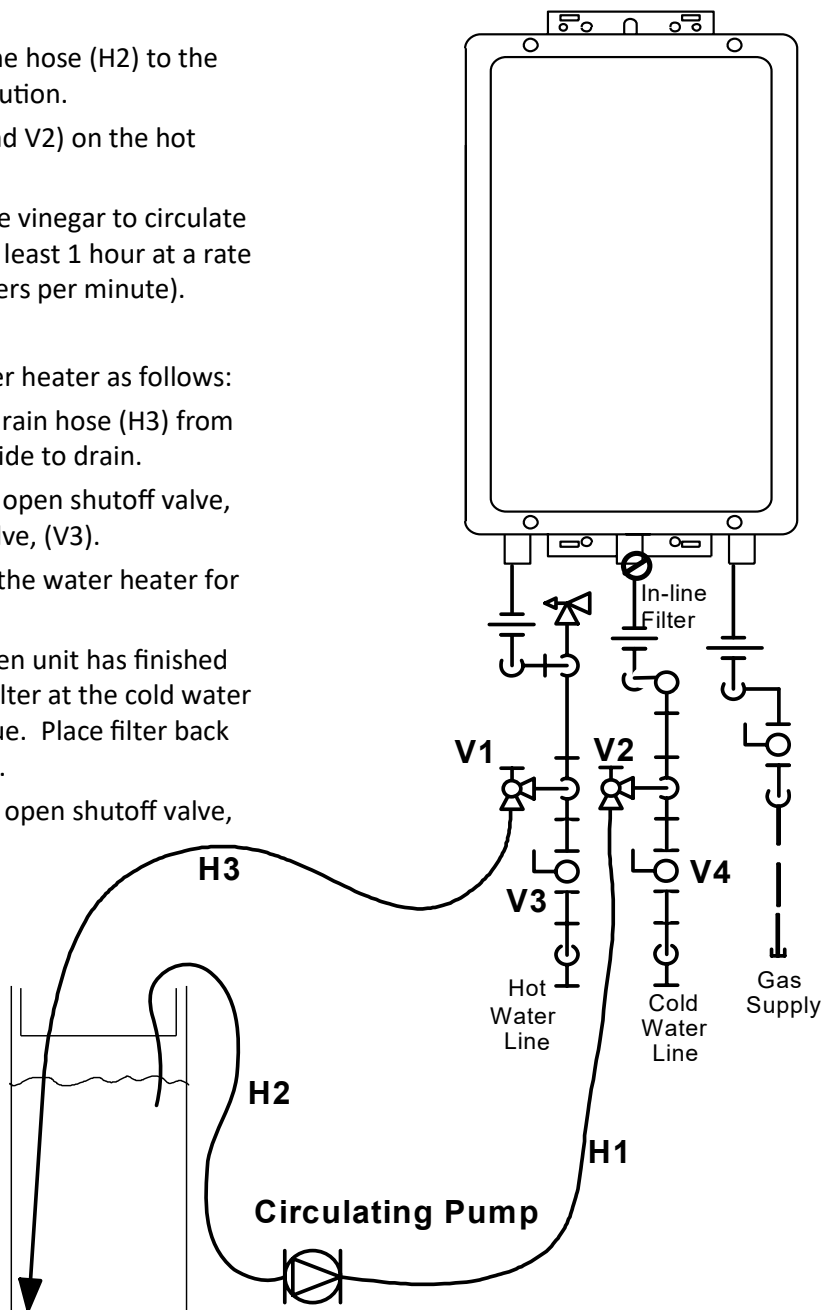
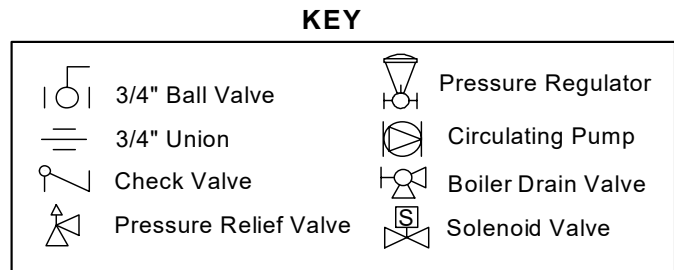
VENT TERMINATION

Place a cover over the vent termination (intake and exhaust) if it can be safely accessed. The cover should be easy to apply and remove. This will prevent debris, leaves, and small animals from entering the venting and water heater which could cause air flow issues upon return to service.

Flushing the heat exchanger

An LC0~LC9 or "00" diagnostic code indicates the unit is beginning to lime up and must be flushed. Failure to flush the appliance will cause damage to the heat exchanger. Damage caused by lime build-up is not covered by the unit's warranty. Rinnai strongly recommends installation of isolation valves to allow for flushing of the heat exchanger.

1. Disconnect electrical power to the water heater.
2. Close the shutoff valves on both the hot water and cold water lines (V3 and V4).
3. Connect pump outlet hose (H1) to the cold water line at service valve (V2).
4. Connect drain hose (H3) to service valve (V1).
5. Pour 4 gallons of undiluted virgin, food grade, white vinegar into pail.
6. Place the drain hose (H3) and the hose (H2) to the pump inlet into the cleaning solution.
7. Open both service valves (V1 and V2) on the hot water and cold water lines.
8. Operate the pump and allow the vinegar to circulate through the water heater for at least 1 hour at a rate of 4 gallons per minute (15.1 liters per minute).
9. Turn off the pump.
10. Rinse the vinegar from the water heater as follows:
 - a. Remove the free end of the drain hose (H3) from the pail. Place in sink or outside to drain.
 - b. Close service valve, (V2), and open shutoff valve, (V4). Do not open shutoff valve, (V3).
 - c. Allow water to flow through the water heater for 5 minutes.
 - d. Close shutoff valve (V4). When unit has finished draining remove the in-line filter at the cold water inlet and clean out any residue. Place filter back into unit and open valve (V4).
 - e. Close service valve, (V1), and open shutoff valve, (V3).
11. Disconnect all hoses.
12. Restore electrical power to the water heater.



Following flush procedure call technical assistance (1-800-621-9419) for PCB reset information.

Manual Draining of the Water Heater



WARNING

To avoid burns, wait until the equipment cools down before draining the water. The water in the appliance will remain hot after it is turned off.

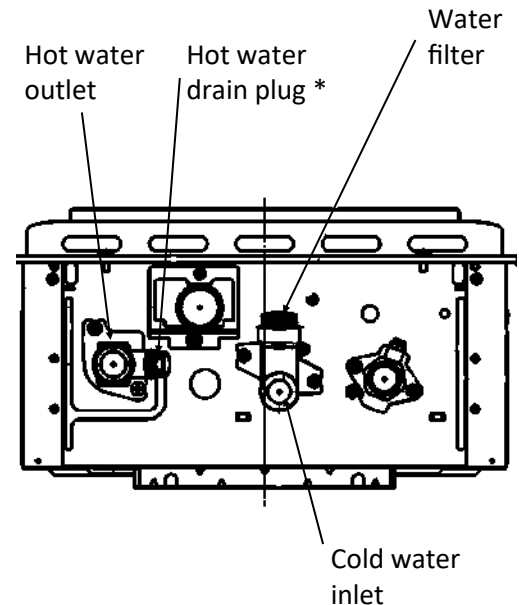
If the water heater is not going to be used during a period of possible freezing weather, it is recommended that the water inside the water heater be drained.

To manually drain the water:

1. Shut off cold water supply and gas supply.
2. Turn off the temperature controller.
3. Disconnect the power to the water heater.
4. Place a container to catch the water. Remove the drain caps on both isolation valves and open both valves above the caps (blue and red valve handles). -OR- Open hot water drain plug at the hot water outlet.
5. Remove water filter to drain the cold water. Compressed air may be used to purge any water left in the system.

To resume normal operation:

1. Confirm that all water drain plugs are removed, that the gas supply is turned off, and that all taps are closed.
2. Screw in the water filter in the cold water inlet.
3. Replace the drain caps and close both isolation valves. -OR- Screw in the hot water drain plug.
4. Open the cold water supply.
5. Open a tap and confirm that water flows, and then close.
6. Turn on the power.
7. After confirming that the temperature controller is off, turn on the gas supply.
8. Turn on the temperature controller.

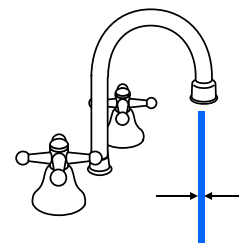


* Use a wrench or other tool to unscrew the hot water drain plug.

Running a low volume of water through the water heater to prevent freezing

If the temperature exceeds the ability of the water heater to freeze protect itself, or if power is lost, the following steps may prevent the water heater and external piping from freezing. (Units connected with EZ Connect (2 unit link) should be drained to prevent freezing if not in use.)

1. Turn the water heater off.
2. Close the gas supply valve.
3. Turn on a hot water tap to flow water about 0.1 gal/min or where the stream is about 0.2 inches thick.



0.1 gal/min or about
0.2 inch thick

When the water heater or external piping has frozen

1. Do not operate the water heater if it or the external piping is frozen.
2. Close the gas and water valves and turn off the power.
3. Wait until the water thaws. Check by opening the water supply valve.
4. Check the water heater and the piping for leaks.

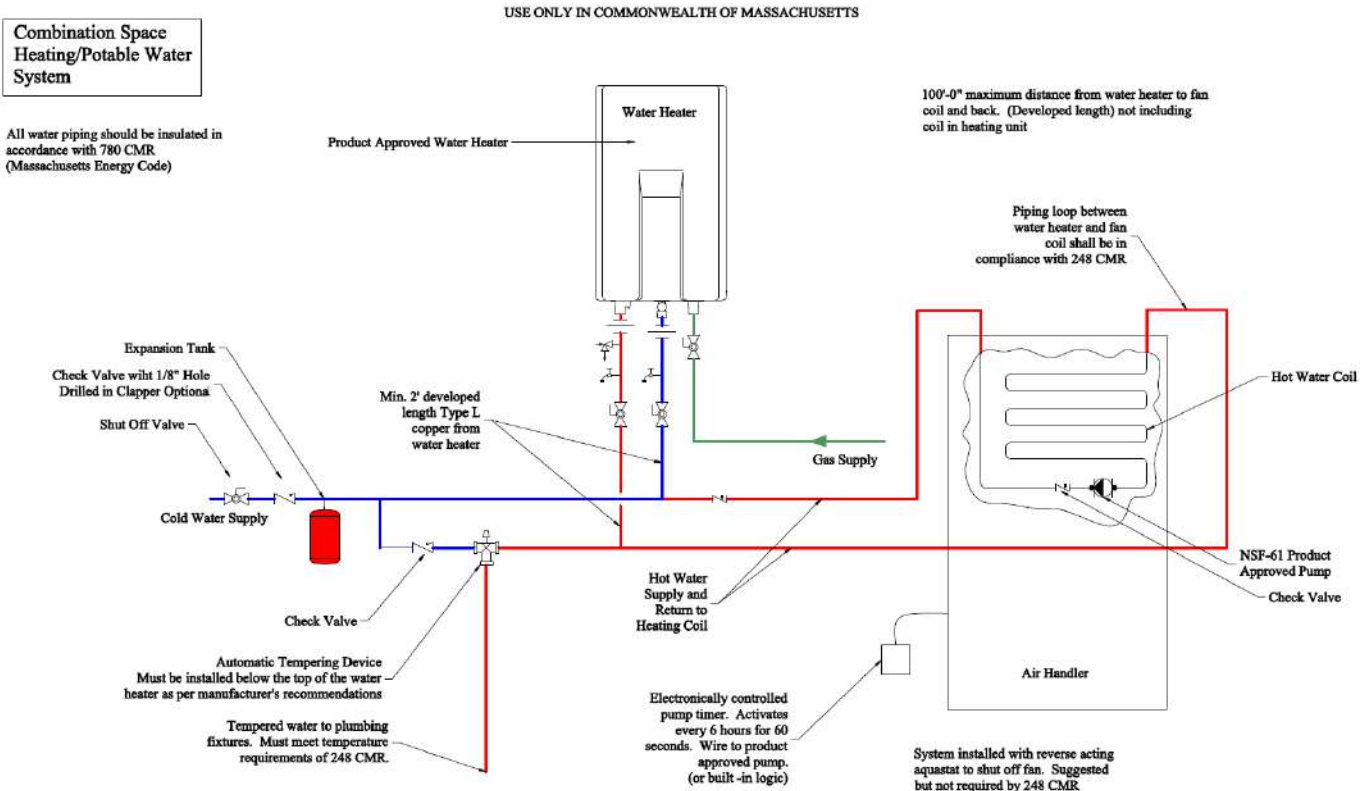
State Regulations

NOTICE BEFORE INSTALLATION This direct-vent appliance must be installed by a licensed professional. If you are not properly trained, you must not install this unit.

IMPORTANT: In the State of Massachusetts (248 CMR 4.00 & 5.00)

For all side wall horizontally vented gas fueled equipment installed in every dwelling, building or structure used in whole or in part for residential purposes, including those owned or operated by the Commonwealth and where the side wall exhaust vent termination is less than seven (7) feet above finished grade in the area of the venting, including but not limited to decks and porches, the following requirements shall be satisfied:

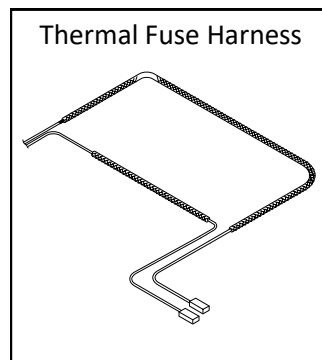
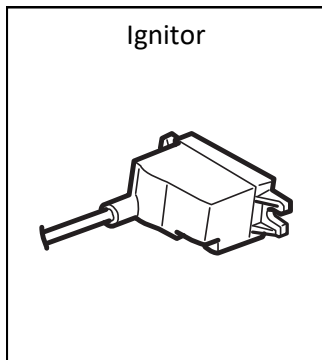
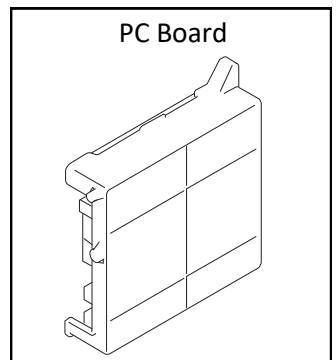
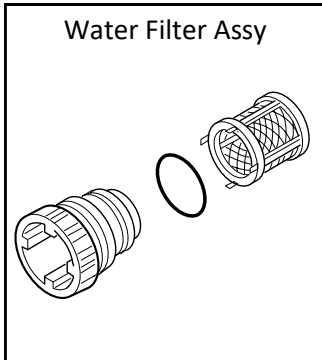
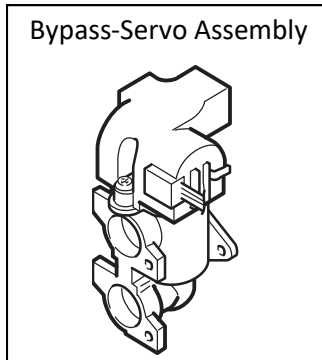
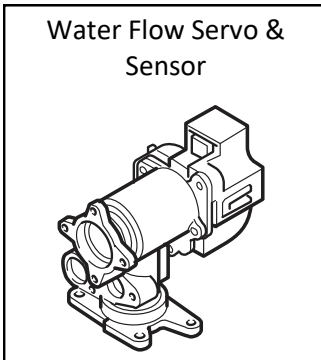
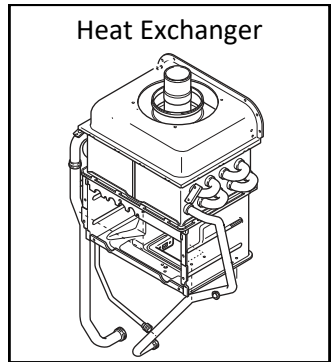
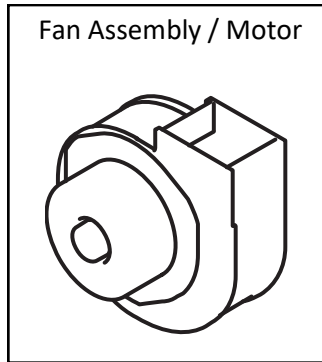
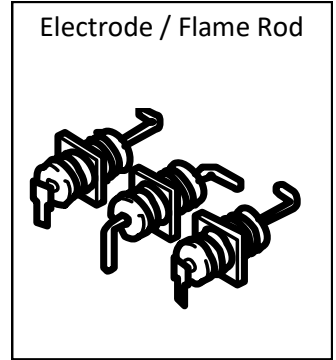
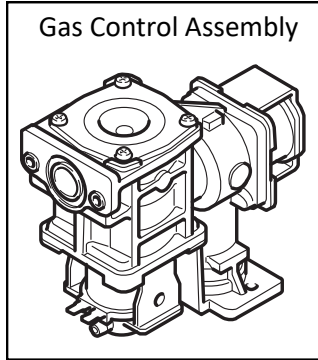
1. **INSTALLATION OF CARBON MONOXIDE DETECTORS.** At the time of installation of the side wall horizontal vented gas fueled equipment, the installing plumber or gasfitter shall observe that a hard wired carbon monoxide detector with an alarm and battery back-up is installed on the floor level where the gas equipment is to be installed. In addition, the installing plumber or gasfitter shall observe that a battery operated or hard wired carbon monoxide detector with an alarm is installed on each additional level of the dwelling, building or structure served by the side wall horizontal vented gas fueled equipment. It shall be the responsibility of the property owner to secure the services of qualified licensed professionals for the installation of hard wired carbon monoxide detectors
 - a. In the event that the side wall horizontally vented gas fueled equipment is installed in a crawl space or an attic, the hard wired carbon monoxide detector with alarm and battery back-up may be installed on the next adjacent floor level.
 - b. In the event that the requirements of this subdivision can not be met at the time of completion of installation, the owner shall have a period of thirty (30) days to comply with the above requirements; provided, however, that during said thirty (30) day period, a battery operated carbon monoxide detector with an alarm shall be installed.
2. **APPROVED CARBON MONOXIDE DETECTORS.** Each carbon monoxide detector as required in accordance with the above provisions shall comply with NFPA 720 and be ANSI/UL 2034 listed and IAS certified.
3. **SIGNAGE.** A metal or plastic identification plate shall be permanently mounted to the exterior of the building at a minimum height of eight (8) feet above grade directly in line with the exhaust vent terminal for the horizontally vented gas fueled heating appliance or equipment. The sign shall read, in print size no less than one-half (1/2) inch in size, "**GAS VENT DIRECTLY BELOW. KEEP CLEAR OF ALL OBSTRUCTIONS**".
4. **INSPECTION.** The state or local gas inspector of the side wall horizontally vented gas fueled equipment shall not approve the installation unless, upon inspection, the inspector observes carbon monoxide detectors and signage installed in accordance with the provisions of 248 CMR 5.08(2)(a)1 through 4.



Replacement Parts

The Technical Sheet that is located inside the front cover of the water heater contains a complete illustrated parts list.

	Tech Sheet Item No.
Gas Control Assembly	100
Electrode / Flame Rod Kit	116, 117
Fan Assembly / Motor	125
Heat Exchanger	143
Water Flow Servo & Sensor	401
Bypass-Servo Assembly	403
Water Filter Assy	412
PC Board	700
Ignitor	706
Thermal Fuse Harness	725



Limited Warranty for Luxury Series RL75, RL94, RLX94i

What is covered?

The Rinnai Standard Limited Warranty covers any defects in materials or workmanship when the product is installed and operated according to Rinnai written installation instructions, subject to the terms within this Limited Warranty document. This Limited Warranty applies only to products that are installed correctly in the United States and Canada. Improper installation may void this Limited Warranty. It is recommended that a trained and qualified professional who has attended a Rinnai installation training class complete your installation. This Limited Warranty coverage, as set out in the table below, extends to the original purchaser and subsequent owners, but only while the product remains at the site of the original installation, and terminates if the product is moved or reinstalled at a new location.

Item	Period of Coverage (from date of purchase)		
	Residential Applications	If used for both residential water heating and space heating purposes	Commercial Applications
Heat Exchanger	12 years ^[1] ^[2]	10 years ^[1] ^[2]	5 years ^[1]
All Other Parts and Components	5 years ^[1]	5 years ^[1]	5 years ^[1]
Reasonable Labor	1 year ^[3]	1 year ^[3]	1 year ^[3]

[1] Period of coverage is reduced to 3 years from date of purchase when used as a circulating water heater within a hot water circulation loop, where the water heater is in series with a circulation system and all circulating water flows through the water heater, and where an on-demand recirculation system is not incorporated.

On-demand recirculation is defined as a hot water recirculating loop or system that utilizes existing hot and cold lines or a dedicated return line, and only activates when hot water is used. It can be activated by a push button, motion sensor, or voice activation but not by a temperature sensor. A timer added to a standard recirculating pump is not considered as on-demand.

[2] Period of coverage is reduced to 5 years from date of purchase if the Rinnai Tankless Water Heater temperature setting exceeds 160°F (71°C).

[3] Labor coverage is extended to 5 years in residential applications and 2 years in commercial applications if the product is registered within 30 days (except registration is not required in California and Quebec) and/or if the other conditions above in the Residential Applications and Commercial Applications sections are satisfied.

Note: The integrated controller on indoor models has a 1 year warranty on parts.

What Will Rinnai Do?

Rinnai will repair or replace the covered product or any part or component that is defective in materials or workmanship as set forth in the above table. Rinnai will pay reasonable labor charges associated with the repair or replacement of any such part or component during the term of the labor warranty period. All repair parts must be genuine Rinnai parts. All repairs or replacements must be performed by a qualified professional who is properly trained to do the type of repair.

Replacement of the product may only be authorized by Rinnai at its sole discretion. Rinnai does not authorize any person or company to assume for it any obligation or liability in connection with the replacement of the product. If Rinnai determines that repair of a product is not possible, Rinnai may replace the product with a comparable product at Rinnai's sole discretion. The warranty claim for product parts and labor may be denied if a component or product returned to Rinnai is found to be free of defects in material or workmanship; damaged by improper installation, use or operation; or damaged during return shipping.

How to Obtain Service

For the name of a trained and qualified professional please contact your place of purchase, visit the Rinnai website (www.rinnai.us), call Rinnai at 1-800-621-9419 or write to Rinnai at 103 International Drive, Peachtree City, Georgia 30269.

Proof of purchase is required to obtain warranty service. You may show proof of purchase with a dated sales receipt, or by registering within 30 days of purchasing the product. To register your Rinnai Tankless Water Heater, please visit www.rinnai.us. For those without internet access, please call 1-800-621-9419. Receipt of registration by Rinnai will constitute proof-of-purchase for this product. Registration of product installed in new home construction may be verified with a copy of the closing papers provided by the initial home buyer. However, registration is not necessary in order to validate this Limited Warranty.

What is Not Covered?

This Limited Warranty does not cover any failures or operating difficulties due to the following:

- Accident, abuse, or misuse
- Alteration of the product or any component part
- Misapplication of this product
- Improper installation (such as but not limited to)
 - Product being installed in a corrosive environment
 - Condensate damage
 - Improper venting
 - Incorrect gas type
 - Incorrect gas or water pressure
- Absence of a drain pan under the appliance
- Water quality
- Improper maintenance (such as but not limited to scale build-up, freeze damage, or vent blockage)
- Incorrect sizing
- Any other cause not due to defects in materials or workmanship
- Problems or damage due to fires, flooding, electrical surges, freezing or any acts of God.
- Force majeure

There is no warranty coverage on product installed in a closed loop application, commonly associated with space heating only applications.

Use of an MCC-91-2 controller in a residential dwelling will reduce the warranty coverage to that of a commercial warranty application except when an MCC-91-2 is used with a hydronic air handler for temperatures no higher than 160°F (71°C).

This Limited Warranty does not apply to any product whose serial number or manufacture date has been defaced.

This Limited Warranty does not cover any product used in an application that uses chemically treated water such as a pool or spa heater.

Limitation on Warranties

No one is authorized to make any other warranties on behalf of Rinnai America Corporation. Except as expressly provided herein, there are no other warranties, expressed or implied, including, but not limited to warranties of merchantability or fitness for a particular purpose, which extend beyond the description of the warranty herein.

Any implied warranties of merchantability and fitness arising under state law are limited in duration to the period of coverage provided by this Limited Warranty, unless the period provided by state law is less. Some states do not allow limitations on how long an implied Limited Warranty lasts, so the above limitation may not apply to you.

Rinnai shall not be liable for indirect, incidental, special, consequential or other similar damages that may arise, including lost profits, damage to person or property, loss of use, inconvenience, or liability arising from improper installation, service or use. Some states do not allow the exclusion or limitation of incidental or consequential damages, so the above limitation may not apply to you.

This Limited Warranty gives you specific legal rights, and you may also have other rights which vary from state to state.

www.rinnai.us/warranty

EXTEND THE LABOR COVERAGE UNDER YOUR LIMITED WARRANTY*

Luxury Series RL75, RL94, RLX94i REGISTRATION REQUIRED*

Rinnai is providing the opportunity to extend your Rinnai Standard Limited Warranty on labor only on Luxury Series models RL75, RL94, and RLX94i if you register within 30 days of purchase of your unit. Products not registered will still be covered under the Rinnai standard product limited warranty as provided in the Installation and Operation manual which comes with this product. Warranty information is also available on Rinnai's web site at www.rinnai.us.

RESIDENTIAL APPLICATIONS:

The limited warranty period on the labor coverage for models RL75, RL94, and RLX94i Tankless Water Heaters installed in a residential application is extended for an additional 48 months (a total of 60 months labor coverage from date of purchase), when used in a residential hot water application, if the product is registered within 30 days of purchase at www.rinnai.us/product-registration or by calling 1-866-RINNAI-1 (746-6241), except registration is not required in California and Quebec.

ADDITIONAL CONDITIONS OF EXTENDING THE LABOR COVERAGE UNDER THE LIMITED WARRANTY:

1. The labor coverage does NOT extend if the RL75, RL94, and RLX94i Tankless Water Heater is used for structure heating or in a closed loop application.
2. If the product is installed on a circulation system, the circulation system must be controlled by an on-demand system, or the limited warranty will not be extended.

COMMERCIAL APPLICATIONS:

The limited warranty period on the labor coverage for models RL75, RL94, and RLX94i Tankless Water Heaters installed in a commercial application is extended for an additional 12 months (a total of 24 months labor coverage from date of purchase), when used in a commercial hot water application, if the product is registered within 30 days of purchase at www.rinnai.us/product-registration or by calling 1-866-RINNAI-1 (746-6241), except registration is not required in California and Quebec.

ADDITIONAL CONDITIONS OF EXTENDING THE LABOR COVERAGE UNDER THE LIMITED WARRANTY:

1. The labor coverage does NOT extend if the RL75, RL94, and RLX94i Tankless Water Heater is used for structure heating or in a closed loop application.
2. If the product is installed on a circulation system, the circulation system must be controlled by an on-demand system, or the limited warranty will not be extended.

* **Only applicable if product is registered within 30 days of purchase and the other conditions are met. Note to California and Quebec Residents, and residents of other jurisdictions that prohibit warranty benefits conditioned on registration, registration is not required to obtain longer warranty periods and failure to register does not diminish your warranty rights. www.rinnai.us/warranty**

Rinnai®

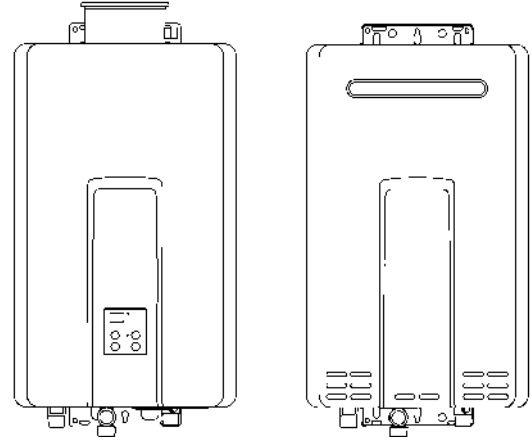
Chauffe-eau sans réservoir à ventilation directe Manuel d'installation et d'utilisation

POUR DES APPLICATIONS EN INTÉRIEUR UNIQUEMENT

RL75i..... REU-VC2528FFUD-US
REU-VC2528FFUD-US(A)
RLX94i..... REU-VC2737FFUD-US
RL94i..... REU-VC2837FFUD-US

POUR DES APPLICATIONS EN EXTÉRIEUR UNIQUEMENT

RL75e..... REU-VC2528WD-US
REU-VC2528FFUD-US(A)
RL94e..... REU-VC2837WD-US



ANS Z21.10.3 • CSA 4.3

LISEZ SOIGNEUSEMENT TOUTES CES INSTRUCTIONS AVANT D'INSTALLER OU D'UTILISER CE CHAUFFE-EAU.

Ce manuel fournit des informations sur l'installation, l'utilisation et l'entretien du chauffe-eau. Pour un bon fonctionnement et la **sécurité**, il est important de suivre ces instructions et de respecter les précautions de sécurité. Un professionnel agréé doit installer le chauffe-eau en suivant exactement les instructions des pages 4-30. Le consommateur doit lire le manuel en entier pour faire fonctionner correctement le chauffe-eau et accomplir son entretien régulier.

AVERTISSEMENT

Si les informations de ces instructions ne sont pas suivies exactement, il peut en résulter un départ d'incendie ou une explosion, causant des dégâts matériels et des blessures pouvant être mortelles.

- N'entreposez pas ou n'utilisez pas d'essence ou d'autres vapeurs ou liquides inflammables à proximité de cet appareil ou de n'importe quel autre.
- QUE FAIRE SI VOUS SENTEZ LE GAZ
 - N'essayez pas d'allumer un appareil.
 - Ne touchez à aucun interrupteur électrique. N'utilisez aucun téléphone dans votre bâtiment.
 - Appelez immédiatement votre fournisseur de gaz depuis un téléphone du voisinage. Suivez les instructions qu'il vous donnera.
 - Si vous ne pouvez pas joindre votre fournisseur de gaz, appelez les pompiers.
- Installation et interventions de service doivent être effectuées par un professionnel agréé.

Le manuel complet doit être laissé pour le client. Le consommateur doit lire ce manuel et s'y référer pour optimiser l'utilisation et l'entretien du chauffe-eau.

Table des matières

Table des matières	49	Installation de contrôleur de température	69
Attitudes et pratiques de sécurité pour le consommateur et l'installateur	50	Liste de contrôle final	71
Instructions d'installation (pour professionnel agréé)	51	Données techniques	72
Préparation pour l'installation	52	Spécifications	72
Détermination de l'emplacement de l'installation	53	Dimensions	73
Protection contre le gel	58	Courbes de chute de pression et de flux d'eau	74
Liste de contrôle pour choisir l'emplacement de l'installation	59	Diagramme en escalier	75
Montage mural	59	Mode recirculation.....	76
Dépose du panneau frontal	59	Instructions d'utilisation	78
Installation de ventilation (modèles d'intérieur uniquement)	60	Consignes à l'opérateur pour un fonctionnement sûr de son chauffe-eau	79
Condensats (modèles d'intérieur uniquement)	62	Mode d'emploi du contrôleur de température	80
Liste de contrôle pour ventilation et condensats (modèles d'intérieur uniquement)	62	Fixation de la température	81
Installation de la plomberie	63	Codes de diagnostic	83
Liste de contrôle pour la plomberie	66	Entretien nécessaire.....	86
Installation de l'alimentation en gaz	66	Protection contre le gel et préparation pour l'hiver	87
Raccordement de l'électricité	68	Rinçage de l'échangeur thermique	88
Réglage pour forte altitude	68	Vidange manuelle du chauffe-eau	89
Réglage pour longueur de ventilation (modèles d'intérieur uniquement)	68	Pièces de rechange	90
Liste de contrôle pour gaz et électricité	68	Garantie du consommateur	91

AVIS : Rinnai partage parfois des informations de contact de clients avec des entreprises qu'il estime pouvoir fournir des produits ou services qui peuvent vous être utiles. En communiquant ces informations, vous donnez votre accord pour que nous vous communiquions vos informations de contact dans ce but. Si vous préférez que vos informations ne soient pas partagées avec ces entreprises, veuillez contacter notre service à la clientèle et demander à ce que cela ne se fasse pas pour vous. Nous continuerons cependant dans ce cas à vous contacter nous-mêmes avec des informations relatives au(x) produit(s) que vous avez enregistré(s) et/ou sur votre compte chez nous.

Si vous avez des questions, ou pensez que ce manuel est incomplet, contactez Rinnai au 1-800-621-9419.

Importantes informations de sécurité

Définitions de sécurité



Ceci est un symbole d'alerte. Il vous prévient de dangers potentiels qui pourraient causer blessures ou mort pour vous et les autres.



Indique une situation dangereuse imminente qui, si elle n'est pas évitée, pourrait entraîner une blessure grave voire mortelle.



Indique une situation dangereuse potentielle qui si elle n'est pas évitée pourrait entraîner une blessure grave voire mortelle.



Indique une situation dangereuse potentielle qui, si elle n'est pas évitée, pourrait entraîner une blessure de gravité faible à moyenne. Ce symbole peut aussi s'utiliser pour vous mettre en garde contre des pratiques dangereuses.

Attitudes et pratiques de sécurité pour le consommateur et l'installateur

AVERTISSEMENT

- Avant la mise en œuvre, reniflez tout autour de la zone de l'appareil pour détecter une odeur de gaz. Ne manquez pas de chercher près du plancher car certains gaz sont plus lourds que l'air et s'accumulent au sol.
- Gardez la zone autour de l'appareil dégagée et exempte de matières combustibles, d'essence et d'autres vapeurs ou liquides inflammables.
- La construction combustible concerne les closions adjacentes et le plafond, à ne pas confondre avec les produits et matières combustibles ou inflammables. Ces derniers ne doivent jamais être entreposés à proximité de cet appareil au gaz ou de tout autre du même type.
- Contrôlez toujours la température de l'eau avant de prendre un bain ou une douche.
- Pour vous protéger de toute atteinte, avant d'effectuer une intervention d'entretien :
 - ◇ Coupez l'alimentation électrique en débranchant la fiche du cordon secteur ou en coupant le secteur au disjoncteur du circuit. (Le contrôleur de température ne commande pas l'alimentation électrique).
 - ◇ Coupez l'arrivée du gaz à la vanne manuelle, en général elle est placée immédiatement sous le chauffe-eau.
 - ◇ Coupez l'arrivée d'alimentation en eau. Cela peut se faire à la vanne d'isolement immédiatement sous le chauffe-eau, ou en coupant la distribution d'eau du bâtiment.
- N'utilisez que votre main pour appuyer sur le bouton de commande de gaz ou l'enfoncer. N'utilisez jamais d'outils. Si la commande ne se tourne pas ou ne s'enfonce pas à la main, n'essayez pas de la réparer vous-même, mais appelez un professionnel agréé. Le fait de forcer ou de tenter une réparation peut provoquer un départ d'incendie ou une explosion.
- N'utilisez pas cet appareil si une partie quelconque a été immergée dans de l'eau. Appelez immédiatement un professionnel agréé pour inspecter l'appareil et remplacer toute pièce du système de contrôle et toute commande de gaz qui aurait séjourné sous l'eau.
- N'utilisez pas de matériel de substitution. N'utilisez que des pièces certifiées pour aller avec l'appareil.
- En cas de surchauffe, ou si il est impossible de couper l'alimentation en gaz, coupez au niveau de la vanne manuelle de gaz en amont de l'appareil.
- Ne modifiez pas la position des micro-commutateurs sauf si cela vous a été demandé expressément.
- N'utilisez pas de cordon rallonge ni d'adaptateur de prise avec cet appareil.
- Toute altération de l'appareil ou de ses commandes peut être dangereuse et annulerait sa garantie.

ATTENTION

- **RISQUE DE BRÛLURES.** Des sorties très chaudes d'échappement et ventilation peuvent causer de sérieuses brûlures. Restez à l'écart du chauffe-eau en fonctionnement. Maintenez les petits enfants et les animaux à distance de l'appareil.
- Les tuyaux de sortie d'eau chaude quittant l'appareil peuvent être chauds au toucher. Dans des applications résidentielles, il faut appliquer une isolation des tuyaux d'eau chaude en-dessous de 36" (91 cm) du fait d'un risque de brûlure des petits enfants.

AVERTISSEMENT

La loi de Californie exige que cet avis soit fourni :

Proposition 65 de la Californie : Ce produit contient des substances chimiques reconnues par l'état de Californie comme causant des cancers, des anomalies congénitales, ou d'autres dangers pour la reproduction.

Instructions d'installation

Qualifications de l'installateur

Il est recommandé qu'un professionnel agréé installe l'appareil, l'inspecte et teste la fuite avant utilisation. La garantie peut être annulée en raison d'une installation incorrecte. L'installateur doit avoir des compétences dans ces domaines :

- Calibration de fourniture de gaz.
- Raccordement des conduites de gaz et d'eau, des vannes et de l'électricité.
- Connaissance des normes applicables (nationales, provinciales et locales)
- Installation de ventilation au travers de mur ou de toit
- Formation en installation de chauffe-eau sans réservoir (Du perfectionnement est accessible en ligne sur le site www.trainingevents.rinnai.us).

Type d'installation

- Produit à installer dans des applications résidentielles et commerciales.
- Certifié pour une installation dans des maisons mobiles préfabriquées.

Étapes d'installation

Préparation pour l'installation	52
Détermination d'emplacement de l'installation .	53
Liste de contrôle pour choisir l'emplacement de l'installation	59
Montage mural	59
Dépose du panneau frontal	59
Installation de ventilation (modèles d'intérieur uniquement)	60
Condensats (modèles d'intérieur uniquement) .	62
Liste de contrôle pour ventilation et condensats (modèles d'intérieur uniquement)	62
Installation de la plomberie	63
Liste de contrôle pour la plomberie	66
Installation de l'alimentation en gaz	66
Raccordement de l'électricité	68
Réglage pour forte altitude	68
Réglage pour longueur de ventilation (modèles d'intérieur uniquement)	68
Liste de contrôle pour gaz et électricité	68
Installation de contrôleur de température	69
Liste de contrôle final.....	71

Instructions générales

À ÉVITER

- N'installez pas de chauffe-eau RL75i, RL94i ou RLX94i à l'extérieur.
- N'installez pas de chauffe-eau RL75e ou RL94e à l'intérieur.
- N'installez pas l'appareil dans une zone où une fuite d'eau venant de l'appareil ou de ses raccordements endommagerait la zone proche ou les étages du dessous de la structure. Quand une installation à de tels emplacements est inévitable, il est recommandé de placer sous l'appareil un bac de drainage convenable avec une bonne connexion à un drain de sol. Ce bac ne doit pas obstruer le flux d'air de combustion.
- N'obstruez pas le flux d'air de combustion et de ventilation. L'air de combustion ne doit pas provenir d'espaces occupés.
- N'utilisez pas cet appareil dans une application telle que du chauffage de piscine ou de spa utilisant de l'eau chimiquement traitée (Cet appareil convient pour remplir de grandes baignoires ou des baignoires d'hydromassage avec de l'eau potable).
- N'utilisez pas des pièces de remplacement qui ne seraient pas autorisées pour cet appareil.

À FAIRE

- L'installation doit être en conformité avec les normes locales, ou en leur absence avec la norme américaine *ANSI Z223.1/NFPA 54 (Gaz combustible)*, ou la norme canadienne *CSA B149.1 (Installations au gaz naturel ou propane)*. En cas d'installation en maison préfabriquée, il faut se conformer à la norme américaine pour *Construction de maison préfabriqué et sécurité, Titre 24 CFR, Partie 3280* et/ou à la norme canadienne *CAN/SCA Série Z240 MH (Maison mobile)*.
- L'appareil une fois installé doit être relié électriquement à la terre en conformité avec les normes locales, ou à défaut, avec *la norme américaine électrique, ANSI/NFPA 70*, ou *la norme canadienne électrique, CSA C22.1*.
- L'appareil et sa vanne de gaz d'alimentation devront être débranchés du système de conduite d'alimentation en gaz durant tout test de pression de ce système au-delà de 1/2 psi (3,5 kPa ou 13,84 pouces de hauteur de colonne d'eau).

Instructions générales (Suite)

- L'appareil devra être isolé du système de conduite d'alimentation en gaz en fermant sa vanne de coupure manuelle d'alimentation durant tout test de pression de ce système en dessous de 1/2 psi (3,5 kPa ou 13,84 pouces de hauteur de colonne d'eau).
- Vous devez suivre les instructions d'installation et celles de la partie *Soins et entretien* pour la conformité de l'admission d'air de combustion et l'échappement.

INFORMATIONS

- Si un chauffe-eau est installé dans un système fermé de fourniture d'eau, comme un comportant un dispositif anti-retour sur sa conduite d'alimentation en eau froide, il faut prendre des mesures pour contrôler l'expansion thermique. Contactez la régie fournissant l'eau ou un inspecteur local de plomberie pour connaître la manière de contrôler cette expansion thermique.
- En cas de surchauffe, ou si il est impossible de couper l'alimentation en gaz, coupez au niveau de la vanne manuelle de gaz en amont de l'appareil.
- Maintenez la zone d'admission d'air exempte de produits chimiques tels que chlore ou agent blanchissant qui produisent des fumées. Ces fumées peuvent endommager des composants et réduire la durée de service de votre appareil.

Préparation pour l'installation

Pièces incluses

- Chauffe-eau sans réservoir
- Vannes d'isolement repérées par couleur, pour eau froide (bleu) et chaude (rouge)
- Soupape de décharge
- Contrôleur de température MC-91-2 (intégré dans les modèles d'intérieur, fourni pour les modèles d'extérieur)

Outils nécessaires

- Clés à tuyaux (2)
- Pincettes réglables
- Tournevis (2)
- Pincettes coupantes
- Gants
- Lunettes de sécurité
- Niveau

Outils pouvant être nécessaires

- Perceuse à percussion avec forets pour béton
- Scie
- Fileteuse avec têtes et burette d'huile
- Foret alésoir avec tête diamant
- Chalumeau et accessoires
- Coupe-tubes en cuivre
- Coupe-tubes d'acier

Matériaux nécessaires

- Solution savonneuse ou spéciale pour détection de fuites de gaz
- Ventilation approuvée
- Bande Téflon (recommandée) ou composition pour tuyaux

Matériaux pouvant être nécessaires

- Bande résistant à la chaleur
- Isolant pour tuyaux
- Fil et gaine électrique selon la norme locale
- Chevilles pour murs en béton
- Cache-tuyau optionnel
- Contrôleur de température optionnel
- Tube flexible en PCV de 5/8" de diamètre interne
- Câble à deux conducteurs 22 AWG pour le contrôleur
- Boîtier électrique à commande unique
- Bouchons serre-fils
- Raccord-union et robinets de drainage

Déterminez l'endroit d'installation

Vous devez vous assurer que les habilitations seront satisfaites et que le cloaque sera dans les limites requises. Tenir compte de l'environnement d'installation, qualité de l'eau et nécessité d'une protection de gel. On trouvera des exigences pour la conduite de gaz, conduites d'eau, connexion électrique et d'élimination de condensat dans leurs sections respectives d'installation de ce manuel.

Qualité de l'eau

Dans les facteurs à considérer pour l'entretien de votre chauffe-eau il y a l'évaluation de la qualité de l'eau.

L'eau doit être potable, exempte de produits chimiques corrosifs, de sable, salissures ou autres contaminants. Il est de la responsabilité de l'installateur de s'assurer que l'eau ne contient pas de produits chimiques corrosifs ou d'éléments qui pourraient affecter ou endommager le chauffe-eau. Une eau qui contient des produits chimiques dépassant les seuils montré dans ce tableau affecte et endommage l'échangeur thermique. Un remplacement de chauffe-eau résultant d'une mauvaise qualité d'eau n'est pas couvert par la garantie.

	Niveau maximum
Dureté totale	Jusqu'à 200 mg/L
Aluminium*	Jusqu'à 0,2 mg/L
Chlorures*	Jusqu'à 250 mg/L
Cuivre*	Jusqu'à 1,0 mg/L
Dioxyde de carbone dissous (CO ₂)	Jusqu'à 15,0 mg / L, ou PPM
Fer*	Jusqu'à 0,3 mg/L
Manganèse*	Jusqu'à 0,05 mg/L
pH *	6,5 à 8,5
Matières dissoutes totales (MDT)*	Jusqu'à 500 mg/L
Zinc *	Jusqu'à 5 mg/L

* Source : Partie 143 réglementations nationales d'eau potable secondaire

Si vous vivez dans une région connue pour la dureté de son eau, ou pour causer des accumulations de tartre, vous devez traiter votre eau et/ou rincer régulièrement l'échangeur thermique.

Quand du tartre qui s'accumule dans le chauffe-eau commence à affecter sa performance, un code de diagnostic "LC#" va s'afficher. Rincez l'échangeur thermique pour éviter qu'il ne soit endommagé. Une accumulation de tartre est due à de l'eau dure avec une consigne réglée à température élevée.

Rinnai propose le "Système de conditionnement d'eau ScaleCutter" de Southeastern Filtration qui permet une prévention supérieure du niveau d'entartrage et du contrôle de la corrosion, en injectant un mélange de composés de contrôle dans l'alimentation en eau froide.

Rinnai propose le "Système de conditionnement d'eau ScaleCutter" de Southeastern Filtration qui permet une prévention supérieure du niveau d'entartrage et du contrôle de la corrosion, en injectant un mélange de composés de contrôle dans l'alimentation en eau froide.

Référence	Description
103000038	Southeastern Filtration ScaleCutter System 3/4" Feed
103000039	ScaleCutter Refill

Environnement

Air entourant le chauffe eau, l'évacuation et l'évent termination(s) est utilisé pour la combustion et doit être libre de tout composés qui causent la corrosion des composants internes. Ces comprennent des composés corrosifs qui sont trouvés dans les aérosols, les détergents, les agents de blanchiment, les solvants de nettoyage, huile de base peintures et vernis et fluides frigorigènes. L'air de beauté boutiques, magasins de nettoyage à sec, laboratoires de traitement de photos et aires de stockage des fournitures pool contient souvent ces composés. Par conséquent, il est recommandé que les modèles extérieurs soient utilisés pour ces endroits lorsque c'est possible.

Le chauffe-eau, l'évacuation et l'évent termination(s) ne doit pas être installé dans toutes les zones où l'air de combustion peut contenir ces composés corrosifs. Si cela est nécessaire pour un chauffe-eau à être situés dans des zones qui peuvent contenir des composés corrosifs, les instructions suivantes sont fortement recommandées.

Considérations importantes pour:

Chauffe-eau d'intérieur

- FAIRE pas les installer dans les zones où air de combustion peut être contaminé par des substances chimiques.
- Avant l'installation, examiner où air a la capacité de voyager dans l'immeuble pour le chauffage de l'eau.
- Lorsque c'est possible, installez le chauffe-eau dans un placard scellé afin qu'elle est protégée contre le potentiel de l'air intérieur contaminé.
- Substances chimiques qui sont corrosifs dans la nature ne doivent pas stockées ou utilisées près de chauffe-eau.

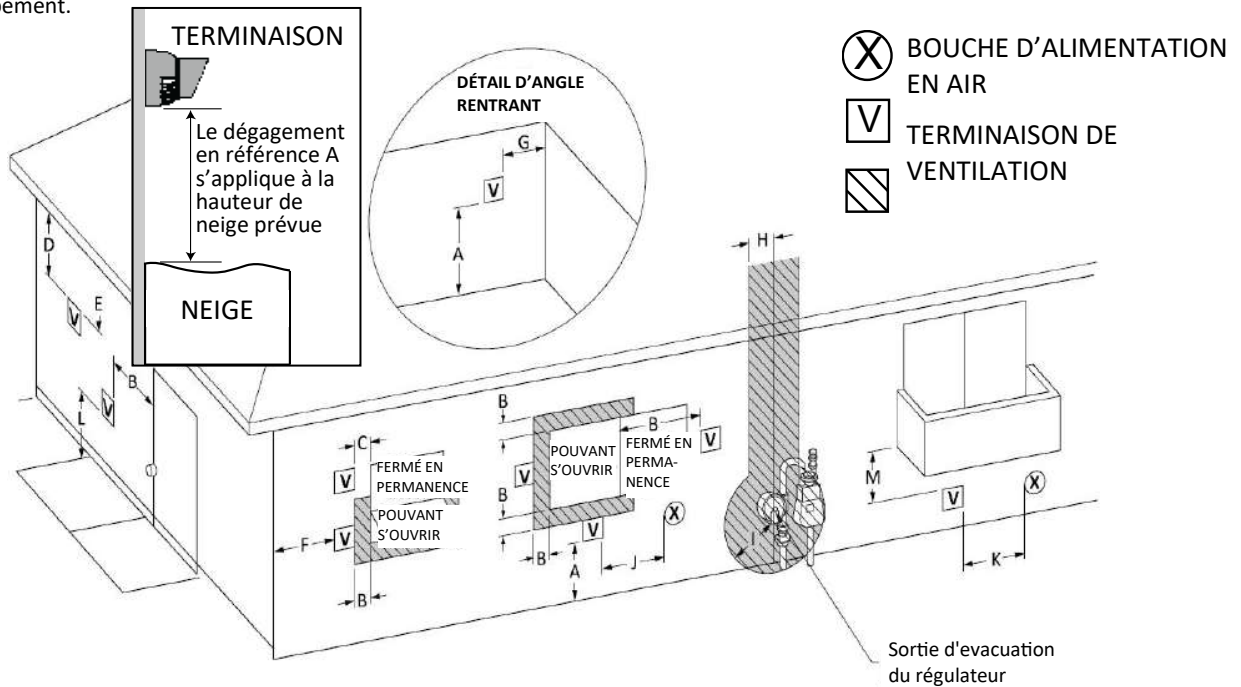
Chauffe-eau extérieurs et Évacuation des terminaisons de chauffe-eau internes

- Installez le chauffe-eau aussi loin que possible des hottes de ventilation d'échappement.
- Installez aussi loin que possible des bouches d'air inlet. Fumées corrosives peuvent être libérées par le biais de ces événements lorsque l'air n'est pas apportée grâce à eux.
- Substances chimiques qui sont corrosifs dans la nature ne devraient pas stockées ou utilisées près de la cessation de chauffage ou de vent de l'eau.

Dommages et réparation en raison de composés corrosifs dans l'air n'est pas couvert par la garantie.

Dégagements à la terminaison

Pour les modèles d'intérieur, vous devez installer une terminaison de ventilation pour faire entrer de l'air de combustion et dégager les gaz d'échappement.



Réf.	Description	Ventilation directe (Chauffe-eau d'intérieur)		Ventilation indirecte (Chauffe-eau d'extérieur)	
		Installations canadiennes (CSA B149.1)	Installations américaines (ANSI Z223.1 / NFPA 54)	Installations canadiennes (CSA B149.1)	Installations américaines (ANSI Z223.1 / NFPA 54)
A	Dégagement au-dessus de niveau du sol, véranda, porche, plate-forme ou balcon	12 po. (30 cm)	12 po. (30 cm)	12 po. (30 cm)	12 po. (30 cm)
B	Dégagement par rapport à porte ou fenêtre pouvant être ouverte	36 po. (91 cm)	12 po. (30 cm)	6 po. (15 cm) pour les appareils ≤ 10 000 Btu/h (3 kW), 12 po. (30 cm) pour ceux > 10 000 Btu/h (3 kW) et ≤ 100 000 Btu/h (30 kW), 36 po. (91 cm) pour ceux >100 000 Btu/h (30 kW)	4 pieds (1,2 m) sous ou sur le côté de l'ouverture ; 1 pied (30 cm) au-dessus de l'ouverture
C	Dégagement par rapport à une fenêtre restant fermée en permanence	*	*	*	*
D	Dégagement vertical par rapport à un soffite ventilé, situé au-dessus de la terminaison à une distance horizontale de moins de 2 pieds (60 cm) de l'axe de cette terminaison	*	*	*	*
E	Dégagement par rapport à un soffite non ventilé	*	*	*	*
F	Dégagement par rapport à un angle sortant	*	*	*	*
G	Dégagement par rapport à un angle rentrant	*	*	*	*
H	Dégagement par rapport à une ligne centrale prolongée au-dessus de l'ensemble de compteur/régulateur	*	*	*	*
I	Dégagement par rapport à la sortie de ventilation d'un régulateur de service	Au-dessus d'un régulateur situé à moins de 3 pi (91 cm) horizontalement de la ligne médiane verticale de la sortie d'aération du régulateur jusqu'à une distance verticale maximale de 4,5 m (15 pi)	*	Au-dessus d'un régulateur situé à moins de 3 pi (91 cm) horizontalement de la ligne médiane verticale de la sortie d'aération du régulateur jusqu'à une distance verticale maximale de 4,5 m (15 pi)	*
J	Écartement par rapport à une admission d'air non-mécanique dans le bâtiment, ou l'arrivée d'air de combustion vers un autre appareil	36 po. (91 cm)	12 po. (30 cm)	6 po. (15 cm) pour les appareils ≤ 10 000 Btu/h (3 kW), 12 po. (30 cm) pour ceux > 10 000 Btu/h (3 kW) et ≤ 100 000 Btu/h (30 kW), 36 po. (91 cm) pour ceux >100 000 Btu/h (30 kW)	4 pieds (1,2 m) sous ou sur le côté de l'ouverture ; 1 pied (30 cm) au-dessus de l'ouverture
K	Dégagement par rapport à une admission d'air mécanique	6 pieds (183 cm)	3 pieds (91 cm) au-dessus si à moins de 10 pieds (3 m) horizontalement	6 pieds (183 cm)	3 pieds (91 cm) au-dessus si à moins de 10 pieds (3 m) horizontalement
L	Dégagement au-dessus de passage ou de trottoir pavé appartenant au domaine public	7 pieds (213 cm) ①	*	7 pieds (213 cm) ①	7 pieds (213 cm)
M	Dégagement par-dessus véranda, porche, plate-forme ou balcon	12 po. (30 cm) ②	*	12 po. (30 cm) ②	*

[1] Une ventilation ne doit pas se terminer directement au-dessus d'un trottoir ou d'une voie de circulation pavée qui serait située entre deux constructions familiales et desservant les deux.
 [2] Autorisé seulement si véranda, porche, plate-forme ou balcon ont une complète ouverture au moins sur deux côtés en-dessous de l'étage.

* Pour des dégagements non spécifiés dans ANSI Z223.1/NFPA 54, ils devront être en conformité avec les normes locales d'installation et les exigences du fournisseur de gaz. Le dégagement par rapport à un mur opposé est de 24 pouces (60 cm).

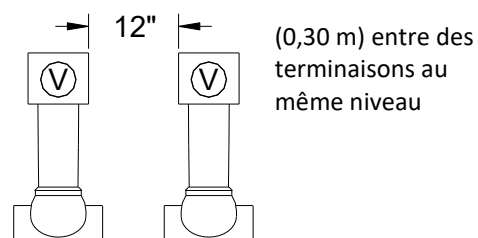
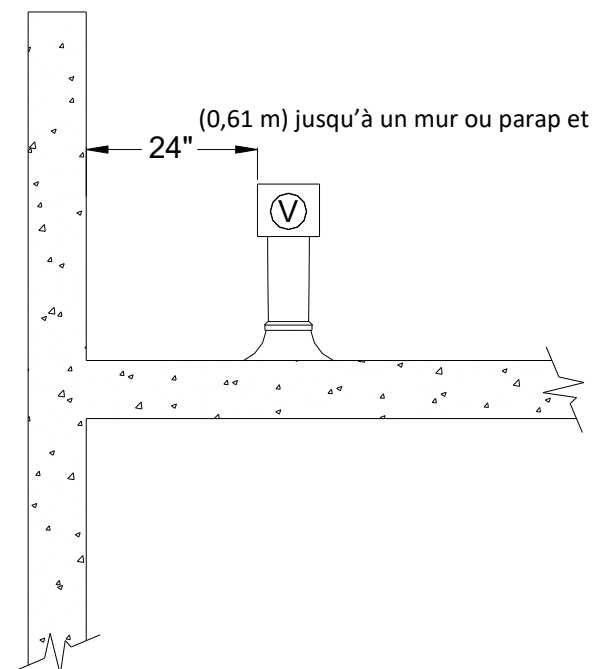
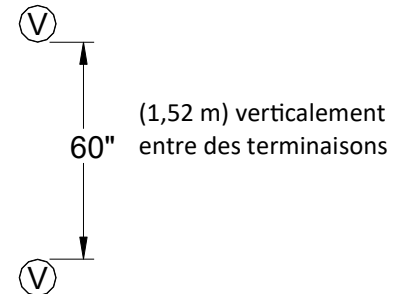
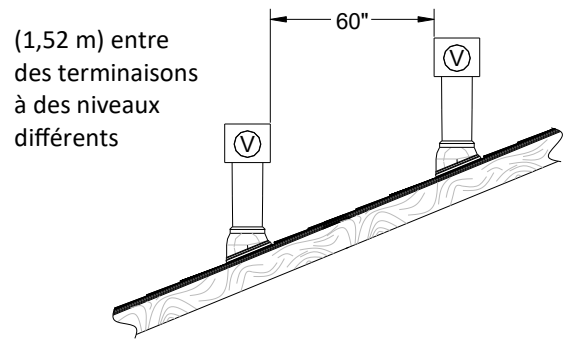
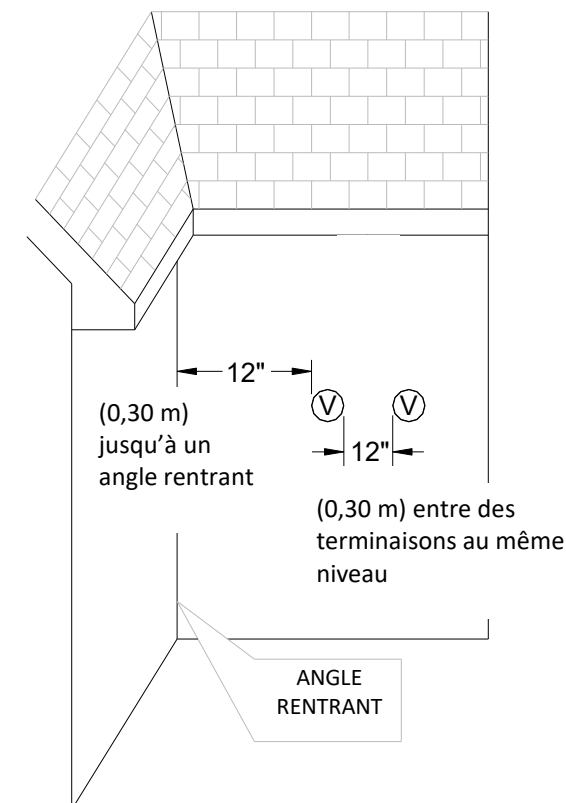
Dégagements additionnels - RL75i, RL94i, RLX94

Contrôlez si des réglementations locales sont plus exigeantes que ces valeurs de dégagements.

- Évitez de positionner des terminaisons près d'une ventilation d'un déshydrateur
- Évitez de positionner des terminaisons près d'une évacuation de cuisine commerciale.
- Vous devez installer une terminaison de ventilation à au moins 12 pouces (30 cm) du sol.

Importantes considérations pour situer la terminaison de ventilation sous un soffite (ventilé ou non, ou à évent d'avant-toit, ou bien sous un platelage ou un porche)

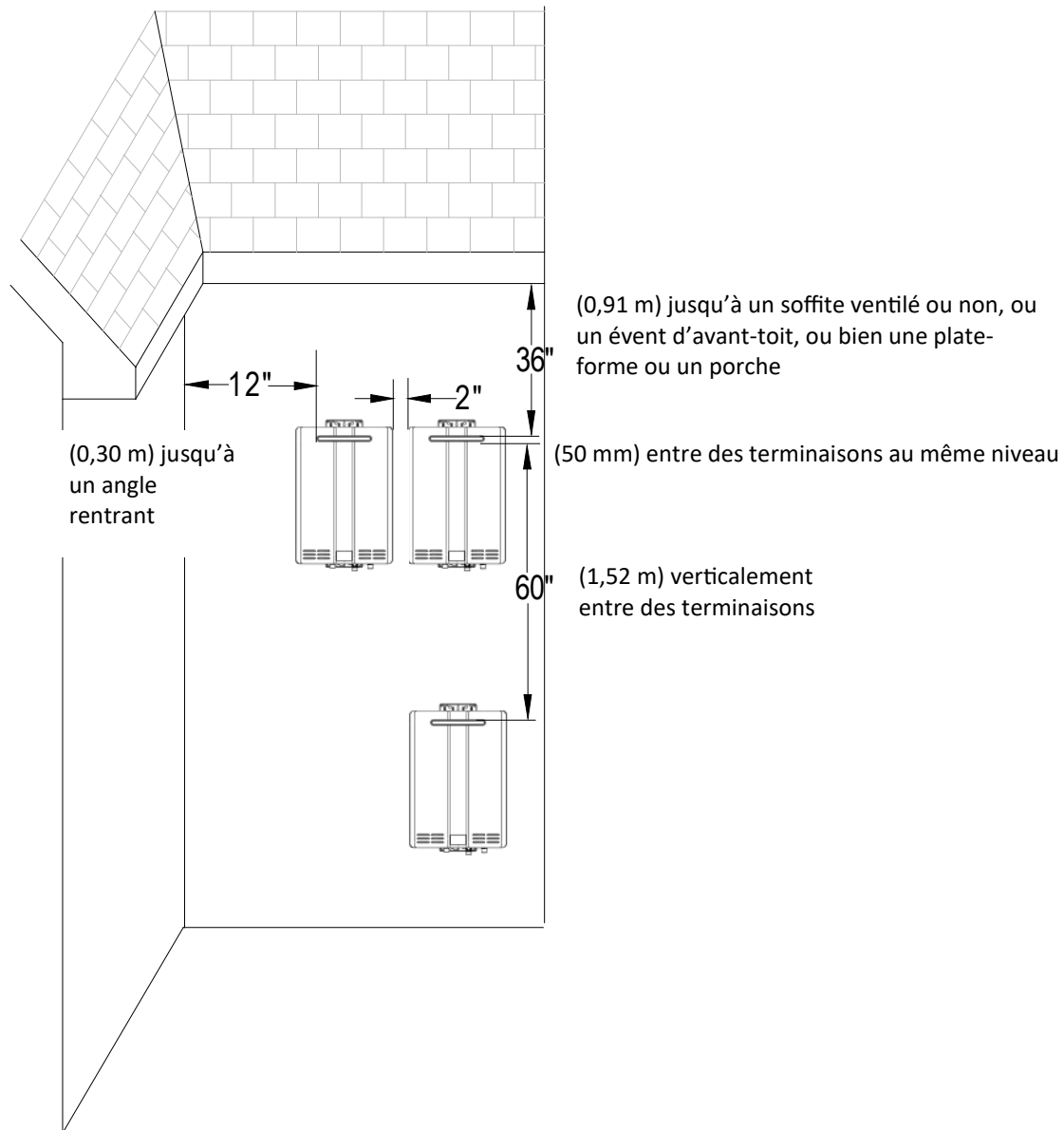
- N'installez pas de terminaison de ventilation sous un soffite de manière que son évacuation puisse entrer dans l'évent de soffite
- Installez la terminaison de ventilation de sorte que l'échappement et l'humidité qui en sort ne soient pas collectés sous l'avant-toit. Une décoloration de l'extérieur du bâtiment pourrait survenir en cas d'installation trop proche.
- N'installez pas la terminaison de ventilation trop près sous le soffite où elle pourrait causer une recirculation des gaz d'échappement dans l'admission d'air de combustion faisant partie de cette terminaison



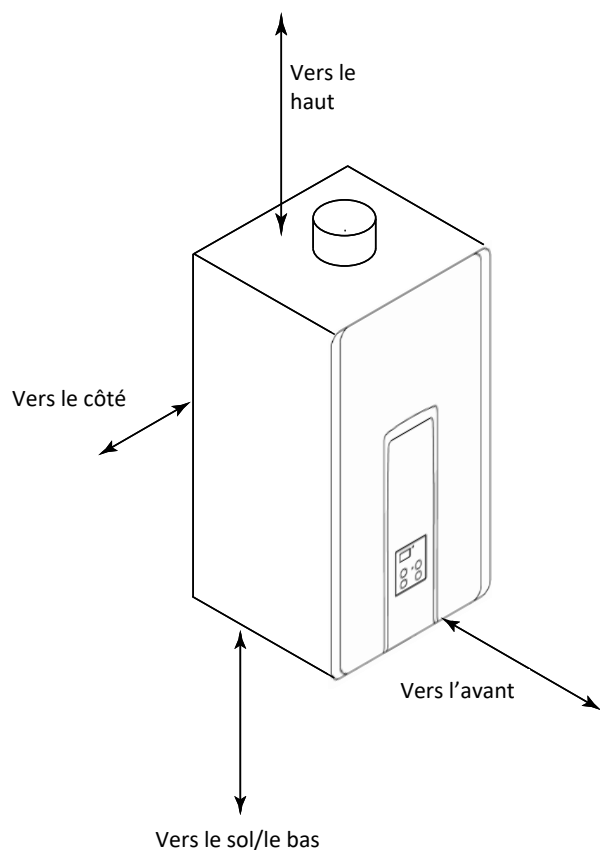
Dégagements additionnels - RL75e, RL94e

Les normes locales ont la préséance sur ces recommandations.

- Évitez de positionner des terminaisons près d'une ventilation d'un déshydrateur.
- Évitez de positionner des terminaisons près d'une évacuation de cuisine commerciale.
- Évitez de positionner des terminaisons près de n'importe quelles bouches d'admission d'air.



Dégagements autour du chauffe-eau



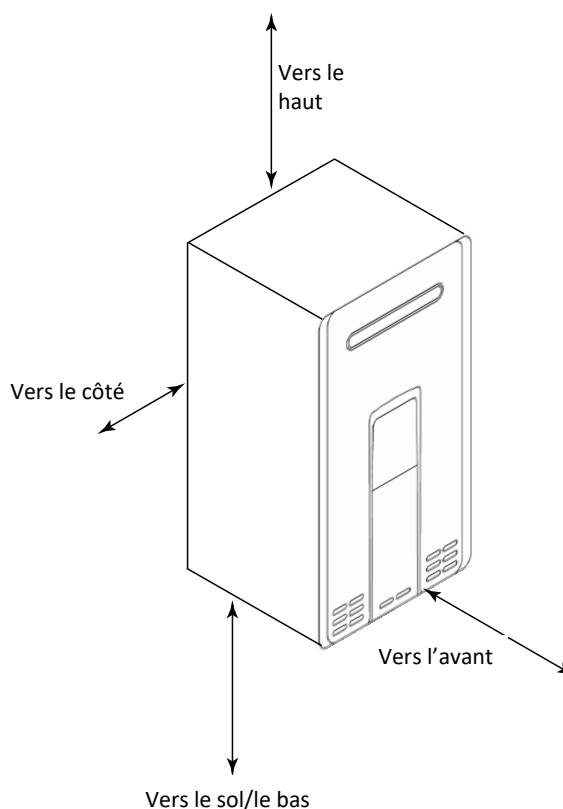
Modèles d'intérieur : RL75i, RL94i, RLX94i

	Par rapport à des combustibles, en pouces (mm)	Par rapport à des non-combustibles, en pouces (mm)
Haut du chauffe-eau	6 * (152)	2 *(51)
Arrière du chauffe-eau	0 (zero)	0 (zéro)
Avant du chauffe-eau	6 (152)	6 (152)
Côtés du chauffe-eau	2 (51)	1/2 (13)
Sol/plancher	12 (305)	12 (305)
Ventilation	0 (zero)	0 (zero)

* 0 pouce depuis les composants de ventilation et la conduite de drainage de condensats.

L'espace libre pour les interventions de service est de 24 pouces (61 cm) vers l'avant du chauffe-eau.

Pour une installation en armoire, l'écartement est de 5 pouces (152 mm) depuis l'avant.



Modèles d'extérieur : RL75e, RL94e

	Par rapport à des combustibles, en pouces (mm)	Par rapport à des non-combustibles, en pouces (mm)
Haut du chauffe-eau	12 (305)	2 (51)
Arrière du chauffe-eau	0 (zero)	0 (zéro)
Avant (panneau)	24 (610)	0 (zéro)
Avant (évacuation)	24 (610)	24 (610)
Côtés du chauffe-eau	6 (152)	1/8 (3.2)
Sol/plancher	12 (305)	2 (51)

L'espace libre pour les interventions de service est de 24 pouces (61 cm) vers l'avant du chauffe-eau.

Longueur maximale de ventilation (modèles d'intérieur uniquement)

Déterminez le nombre de coudes à 90 degrés dans le système de ventilation (Deux coudes à 45 degrés comptent comme un coude à 90 degrés).

Reportez-vous à ce tableau pour trouver la longueur maximale de ventilation compte tenu du nombre de coudes

Nombre de coudes à 90°	Longueur maximale de ventilation
0	41 pieds (12,5 m) ①
1	35 pieds (10,7 m) ②
2	29 pieds (8,8 m) ③
3	23 pieds (7,0 m) ④
4	17 pieds (5,2 m) ④
5	11 pieds (3,4 m) ④
6	5 pieds (1,5 m) ④

Réglez le micro-commutateur DIP N° 1 du bloc SW1 (micro-commutateurs bronze) si c'est demandé par la note applicable.

- ① Si la longueur est supérieure à 21 pieds (6,4 m), alors passez le micro-commutateur N° 1 de SW1 sur OFF.
- ② Si la longueur est supérieure à 15 pieds (4,6 m), alors passez le micro-commutateur N° 1 de SW1 sur OFF.
- ③ Si la longueur est supérieure à 9 pieds (2,7 m), alors passez le micro-commutateur N° 1 de SW1 sur OFF.
- ④ Passez le micro-commutateur N° 1 de SW1 sur OFF.

Exemple : Si vous avez un coude alors votre longueur maximale de ventilation est de 35 pieds (10,7 m). Si la longueur réelle calculée est supérieure à 15 pieds (4,6 m), alors passez le micro-commutateur N° 1 de SW1 sur OFF.

AVIS

Si votre longueur de ventilation est plus grande que la prescription (voir la note 3 sur cette longueur max. de ventilation), alors il faut mettre ce micro-commutateur N° 1 en position OFF. Cela assure le bon fonctionnement du chauffe-eau. Des codes de diagnostic de conduit bloqué et des interruptions de fonctionnement peuvent venir d'une position incorrecte de ce micro-commutateur N° 1.

Protection contre le gel

Assurez-vous que par temps très froid le chauffe-eau et ses conduites d'eau sont protégées pour éviter le gel. Les dommages dus au gel ne sont pas couverts par la garantie.

Avec un raccordement sur le secteur et une alimentation en gaz, le chauffe-eau ne gèlera pas quand la température de l'air ambiant extérieur descend jusqu'à -22°F (-30 °C) pour les modèles d'intérieur, ou -4°F (-20 °C) pour les modèles d'extérieur, en étant protégé contre une exposition à un courant d'air direct. Du fait du refroidissement par le vent, tout vent ou air circulant sur l'appareil réduira sa capacité à résister au gel.

Dans l'éventualité d'une panne d'alimentation secteur ou une coupure de gaz, à des température en dessous de 0 °C, le chauffe-eau doit être vidangé de toute son eau pour éviter des dégâts par le gel. De plus, il faut vider aussi le piège à condensats et la conduite de drainage.

Une perte de protection contre le gel peut entraîner des dégâts des eaux venant d'un échangeur thermique ou de conduites d'eau qui ont explosé.

L'appareil peut être vidangé manuellement. Cependant il est fortement recommandé que :

- Des électrovannes de vidange soient achetées et installées pour vider automatiquement le chauffe-eau en cas de coupure d'alimentation secteur. Elles sont proposées dans un kit, N° de pièce 104000059 (Le bouchon de drainage du piège à condensats et le bouchon de drainage d'eau ne sont pas affectés par les électrovannes de purge, et devront être ouverts manuellement).
- Un parasurtenseur avec prises soit acheté et installé de façon à permettre aux électrovannes de fonctionner si le chauffe-eau est désactivé du fait d'un code de diagnostic. Il est disponible sous le N° 104000057.

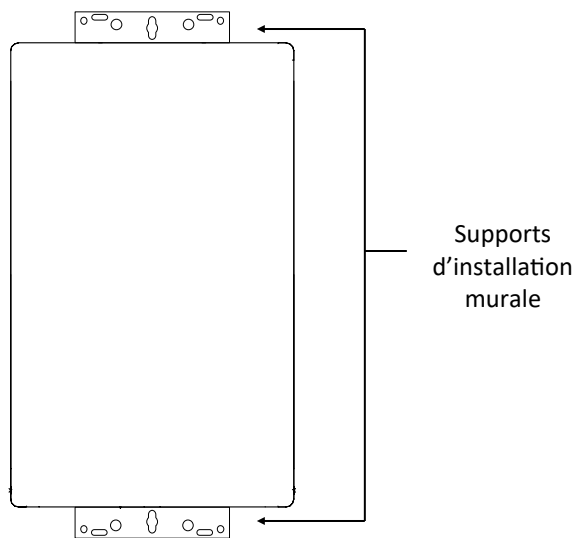
De plus, ces électrovannes devront être connectées électriquement sur un parasurtenseur avec des prises. Cela permet aux électrovannes de fonctionner si le chauffe-eau est désactivé suite à un code de diagnostic.

Les capacités de protection contre le gel n'empêchent pas la tuyauterie extérieure de geler. Il est recommandé d'isoler les tuyaux d'eau chaude comme d'eau froide. Des caches de couverture de tuyaux peuvent être remplis de matière isolante pour plus de protection contre le gel.

Liste de contrôle pour choisir l'emplacement de l'installation

- Le chauffe-eau n'est pas exposé à des composés corrosifs dans l'air.
- L'emplacement du chauffe-eau permet de respecter les dégagements.
- Pour les modèles d'intérieur, la ventilation prévue ne dépassera pas la longueur maximale en fonction du nombre de coudes utilisé.
- L'emplacement prévu pour la terminaison de ventilation/admission d'air permettra de respecter les dégagements.
- De l'air d'extérieur n'est pas utilisé pour la combustion.
- L'eau d'alimentation ne contient pas de produits chimiques et ne présente pas un taux de dureté qui endommagerait l'échangeur thermique.
- Une prise murale standard 3 broches pour alimentation secteur 120 V CA/60 Hz (pour modèles d'intérieur), correctement reliée à la terre, ou une autre source secteur équivalente, est disponible.
- L'installation doit être en conformité avec les normes locales, ou en leur absence avec la norme américaine *ANSI Z223.1/NFPA 54 (Gaz combustible)*, ou la norme canadienne *CSA B149.1 (Installations au gaz naturel ou propane)*. En cas d'installation en maison préfabriquée, il faut se conformer à la norme américaine pour *Construction de maison préfabriqué et sécurité, Titre 24 CFR, Partie 3280* et/ou à la norme canadienne *CAN/SCA Z240 Série MH (Maisons mobiles)*.
- Laissez tout le manuel fixé par bande sur le chauffe-eau (modèles d'intérieur), ou sur le contrôleur de température (modèles d'extérieur), ou donnez-le directement au consommateur.**

Montage mural



1. Identifiez l'emplacement de l'installation et confirmez qu'elle respectera tous les dégagements obligatoires.
2. Fixez solidement le chauffe-eau au mur en utilisant n'importe quels trous dans les supports d'installation murale qui sont en haut et en bas du chauffe-eau. Assurez-vous que la force des attaches est suffisante pour supporter le poids. Référez-vous au poids du chauffe-eau plein dans la section des spécifications. Utilisez un outil de mesure de niveau pour vous assurer que le chauffe-eau est fixé d'aplomb. Son bon fonctionnement exige que le chauffe-eau soit de niveau.

REMARQUE : Le chauffe-eau ne doit être placé qu'en position droite. Ne l'installez pas tête en bas ou sur le côté.

Dépose du panneau avant

Glissez les caches de garniture en plastique de chaque côté du chauffe-eau pour exposer les vis.

Enlevez les 4 vis et tirez le panneau avant pour le sortir.

Installation de ventilation (modèles d'intérieur uniquement)

Installez la ventilation correcte pour votre modèle en suivant les instructions de son fabricant et les consignes qui suivent.

Référez-vous à la littérature technique du fabricant pour les numéros de pièces et les instructions spécifiques.

Fabricant	Produits de ventilation listés et testés pour RL75i, RL94i et RLX94i	Téléphone	Télécopie	Contact
Ubbink	Système de ventilation Rolux	800-621-9419	678-829-1666	www.rinnai.us
Heat-Fab	Système SC de ventilation Saf-T	800-772-0739	413-863-4803	custsvc@heat-fab.com, www.heatfab.com
Metal-Fab	Système de ventilation / admission d'air Corr/Guar	800-835-2830	316-943-2717	info@mtlfab.com, www.metal-fabinc.com

Consignes pour la ventilation

À ÉVITER

- N'utilisez pas de PCV, CPCV, ABS ou matériau galvanisé pour ventiler cet appareil.
- Ne combinez pas des composants de ventilation venant de fabricants différents.
- Le diamètre de la ventilation ne doit pas être rétréci.
- Ne connectez pas le système de ventilation sur une évacuation ou cheminée existante.
- Ne partagez pas une ventilation avec le tuyau de ventilation de tout autre constructeur de chauffe-eau ou appareil.

À FAIRE

- Ce chauffe-eau est un modèle à ventilation directe et, de ce fait, il est certifié et listé avec le système de ventilation. Vous devez utiliser des composants de ventilation qui sont certifiés et listés pour aller avec le modèle de chauffe-eau.
- Le système de ventilation doit donner directement sur l'extérieur du bâtiment et utiliser de l'air extérieur pour la combustion.
- Évitez les affaissements et points bas dans les tronçons horizontaux de ventilation en installant des supports selon les instructions du constructeur de la ventilation.
- Supportez les tronçons horizontaux de ventilation tous les quatre pieds (120 cm) et tous les tronçons verticaux tous les six pieds (180 cm) ou en conformité avec les normes locales.
- La ventilation doit être aussi directe que possible avec un minimum de raccords de tuyaux.
- Les connexions de ventilation doivent être fermement pressées ensemble de façon à ce que les joints soient bien étanches à l'air.

- La partie de ventilation connectée sur le chauffe-eau doit être fixée avec une vis autotaraudeuse.

INFORMATIONS

- Référez-vous aux instructions du fabricant de système de ventilation pour le montage des composants.
- Si le système de ventilation doit être enfermé, il est suggéré que la conception de son enveloppe permette son inspection. La conception de cette enveloppe doit être jugée acceptable par l'installateur ou l'inspecteur local.

AVIS

S'il devient nécessaire d'accéder à un système de ventilation enfermé pour des interventions de service ou de réparation, Rinnai n'est pas responsable des coûts ou des difficultés pour y accéder. La garantie ne couvre pas l'obtention d'un accès au système de ventilation dans un environnement fermé.

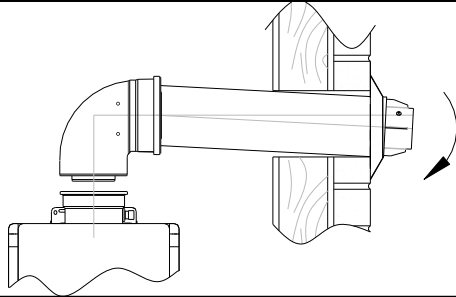
Installation d'évacuation des gaz de combustion (modèles d'intérieur uniquement)

Installez la terminaison de ventilation en fonction des schémas et des instructions qui suivent.

Installation horizontale sans utiliser de collecteur de condensats

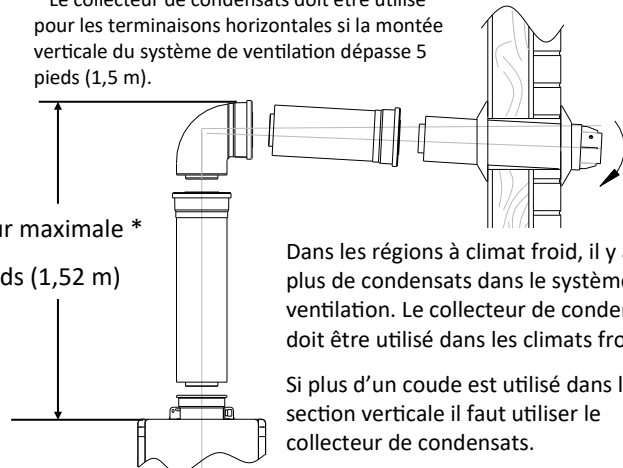
AVERTISSEMENT

Si le collecteur de condensats n'est pas utilisé, le tube de drainage doit être capuchonné pour éviter que des gaz d'échappement et des condensats n'entrent dans le bâtiment. Le capuchon est livré avec l'appareil. Dans ce cas inclinez vers le bas la ventilation de 1/4" par pied (soit 1 cm/48 cm) depuis le chauffe-eau selon les instructions d'installation du fabricant.



* Le collecteur de condensats doit être utilisé pour les terminaisons horizontales si la montée verticale du système de ventilation dépasse 5 pieds (1,5 m).

Hauteur maximale *
5 pieds (1,52 m)

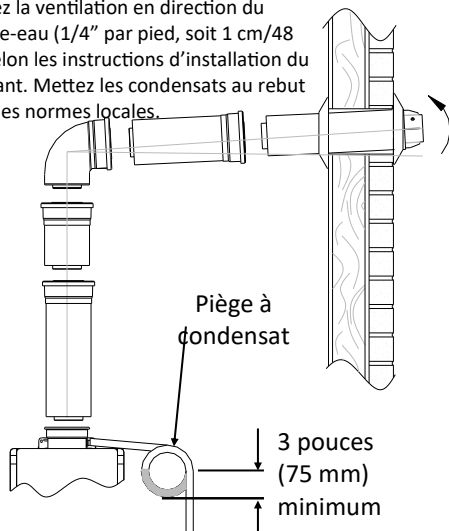


Dans les régions à climat froid, il y aura plus de condensats dans le système de ventilation. Le collecteur de condensats doit être utilisé dans les climats froids.

Si plus d'un coude est utilisé dans la section verticale il faut utiliser le collecteur de condensats.

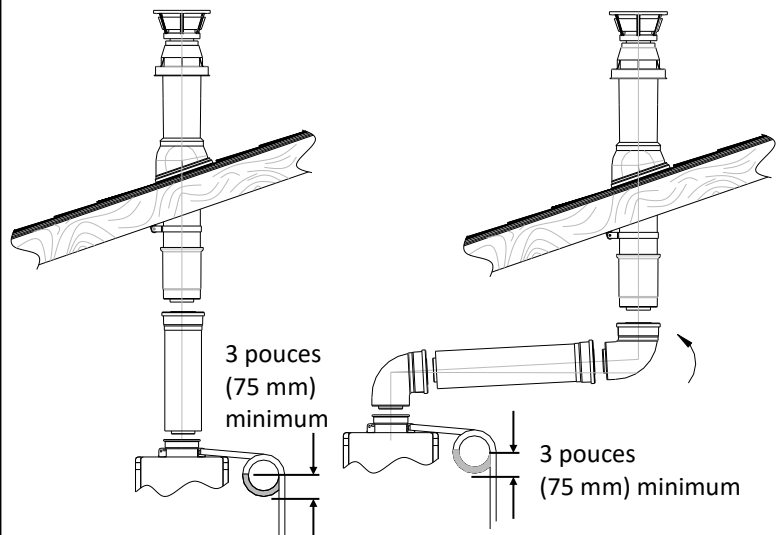
Terminaison horizontale utilisant le collecteur de condensats

Inclinez la ventilation en direction du chauffe-eau (1/4" par pied, soit 1 cm/48 cm) selon les instructions d'installation du fabricant. Mettez les condensats au rebut selon les normes locales.

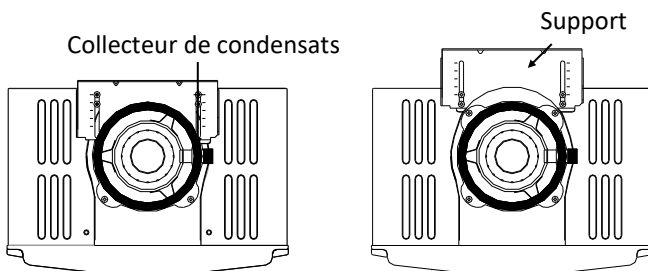


Terminaison verticale

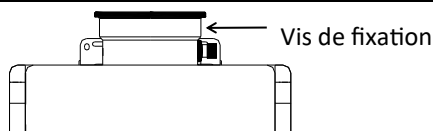
(Un collecteur de condensats doit être utilisé dans toutes les installations)



Pour ajuster la position du collecteur de condensats ou remplacer le haut de ventilation femelle par un mâle :



1. Desserrez les 4 vis au support arrière.
2. Faites glisser le support en l'écartant du haut de ventilation femelle.
3. Enlevez les 4 vis fixant le haut de ventilation femelle au chauffe-eau.
4. Soulevez le haut de ventilation femelle et repositionnez-le comme désiré (ou remplacez-le par un haut de ventilation mâle).
5. Installez les 4 vis sur le haut de ventilation et serrez-les sur le support.



Fixez la première partie de ventilation branchée sur le chauffe-eau avec une vis autotaraudeuse à l'emplacement du trou au-dessus du collecteur de condensats.

Condensats (modèles d'intérieur uniquement)

Des condensats peuvent se former dans la ventilation d'appareils à ventilation directe de grande efficacité. Sans un drainage correct les condensats endommageraient l'échangeur thermique.

Pour éviter des dégâts dus aux condensats, suivez ces instructions.

À ÉVITER

- Ne laissez pas de condensats entrer dans le chauffe-eau.
- Ne branchez pas le tuyau de drainage de condensats directement dans l'égout à eau de pluie.
- Ne branchez pas le tuyau de drainage de condensats sur un drain de serpentin d'évaporateur de conditionnement d'air.
- Ne connectez pas le tuyau de drainage de condensats sur la conduite de soupape de décharge de l'appareil.

À FAIRE

- N'utilisez qu'une ventilation qui est approuvée et identifiée pour votre modèle particulier.
- Pour des terminaisons verticales, installez un drain et un piège pour condensats aussi près que possible de l'appareil.
- Inclinez la ventilation en direction du chauffe-eau selon les instructions d'installation du fabricant de ventilation.
- Tous les condensats doivent être mis au rebut conformément aux normes locales.
- N'utilisez que des matériaux résistant à la corrosion pour les conduites de drainage de condensats, comme du tube en PCV ou du tuyau en plastique.
- Le tuyau de drainage de condensats (sur toute sa longueur) doit être au moins du même diamètre que la conduite de drainage (5/8 de pouce, NPT).
- L'extrémité du tube de drainage de condensats doit être ouverte sur l'atmosphère. Elle ne doit pas arriver sous l'eau ni dans d'autres substances.
- Pour minimiser le gel de condensats, faites passer la conduite de drainage de condensats par un mur intérieur ou entre une isolation et un mur intérieur.
- Un collecteur de condensats doit être utilisé pour toutes les applications de chauffage à eau chaude.

INFORMATIONS

- Un piège à condensat est disponible sous le N° de pièce 222053.
- Dans les régions à climat froid, il y aura plus de condensats dans le système de ventilation. Le collecteur de condensats doit être utilisé dans les climats froids.
- La conduite de drainage du condensat doit être aussi courte que possible et avoir une pente descendante.

Liste de contrôle pour ventilation et condensats (Modèles d'intérieur uniquement)

- Vérifiez que les dégagements sont corrects autour des sorties de ventilation et d'admissions d'air.
- Assurez-vous d'avoir utilisé les produits de ventilation corrects pour le modèle installé, et que vous avez bien suivi entièrement les instructions d'installation du fabricant et celles de ce manuel.
- Vérifiez que le tube de ventilation a bien une pente vers l'extérieur de 1/4 pouce par pied (1,2°) OU qu'il est incliné vers le chauffe-eau (comme le demandent certaines normes locales), que le collecteur de condensats est installé de façon à permettre de drainer les condensats en l'écartant du chauffe-eau vers un drain adéquat.
- Vérifiez que les condensats n'auront pas la possibilité de revenir dans le chauffe-eau.
- Vérifiez que la ventilation prévue ne dépassera pas la longueur maximale en fonction du nombre de coudes utilisés.

Installation de la plomberie

Besoins pour la soupape de décharge

Installez la soupape de décharge en suivant ces instructions.

Une soupape de décharge approuvée est obligatoire selon la *norme américaine ANSI Z21.10.3* sur tous les systèmes de chauffe-eau, et doit rester accessibles pour les interventions de service.

À ÉVITER

- Ne bouchez pas la soupape de décharge et n'installez pas de raccords réducteurs ou d'autres restrictions sur la conduite de décharge. Cette conduite de décharge permet un drainage complet de la soupape et de la conduite.
- Ne placez aucun type de vanne ou de dispositif de coupure entre la soupape de décharge et le chauffe-eau.

À FAIRE

- La soupape de décharge doit être conforme aux réglementations ANSI Z21.22 (*Relief Valves and Automatic Gas Shutoff Devices for Hot Water Supply Systems*) et ou à CAN1-4.4 (*Temperature, Pressure, Temperature and Pressure Relief Valves and Vacuum Relief Valves*).
- La soupape de décharge doit être calibrée pour jusqu'à 150 psi et au moins le taux BTU/h maximal du chauffe-eau.
- La sortie de la soupape de décharge doit être envoyée par tuyau au sol ou dans un système de drainage selon les normes locales.
- La soupape de décharge doit être actionnée une fois par an manuellement pour vérifier son bon fonctionnement.



AVERTISSEMENT

L'eau crachée par la soupape de décharge peut causer instantanément des brûlures graves et de l'échaudage pouvant être mortel.

- La soupape de décharge doit être ajoutée sur la conduite de sortie d'eau chaude et près de la sortie d'eau chaude du chauffe-eau, en suivant les instructions du fabricant.
- NE placez AUCUN autre type de robinet ou de dispositif de coupure entre la soupape de décharge et le chauffe-eau.

INFORMATIONS

- Si une soupape de décharge crache périodiquement, cela peut être dû à une expansion thermique dans un système de fourniture d'eau en circuit fermé. Contactez la régie fournissant l'eau ou un inspecteur de plomberie local pour corriger cette situation. Ne bouchez pas la soupape de décharge.
- La *norme américaine (ANSI Z21.10.3)* ne demande pas une soupape de décharge par combinaison de température et de pression pour cet appareil. Cependant des normes locales peuvent exiger cette combinaison.

Vannes d'isolement

Des vannes d'isolement sont incluses sur ce chauffe-eau. Rinnai recommande fortement l'installation de vannes d'isolement sur les conduites d'eau chaude et d'eau froide, car elles donnent la possibilité d'isoler le chauffe-eau de la plomberie de la structure et permettent un accès rapide pour rincer le chauffe-eau. Un rinçage régulier de l'échangeur thermique est nécessaire dans le cadre d'un bon entretien de ce chauffe-eau.

Besoins en tuyauterie

Une vanne de commande manuelle d'arrivée d'eau doit être placée dans la connexion d'entrée du chauffe-eau avant de le relier à la conduite d'eau. Des raccords-union peuvent être utilisés sur les conduites d'eau froide et chaude pour faciliter les futures interventions de service et le débranchement du chauffe-eau.

À ÉVITER

- N'introduisez pas de produits chimiques toxiques comme ceux utilisés pour le traitement des eaux de chaudière à l'eau potable servant au chauffage des locaux.

À FAIRE

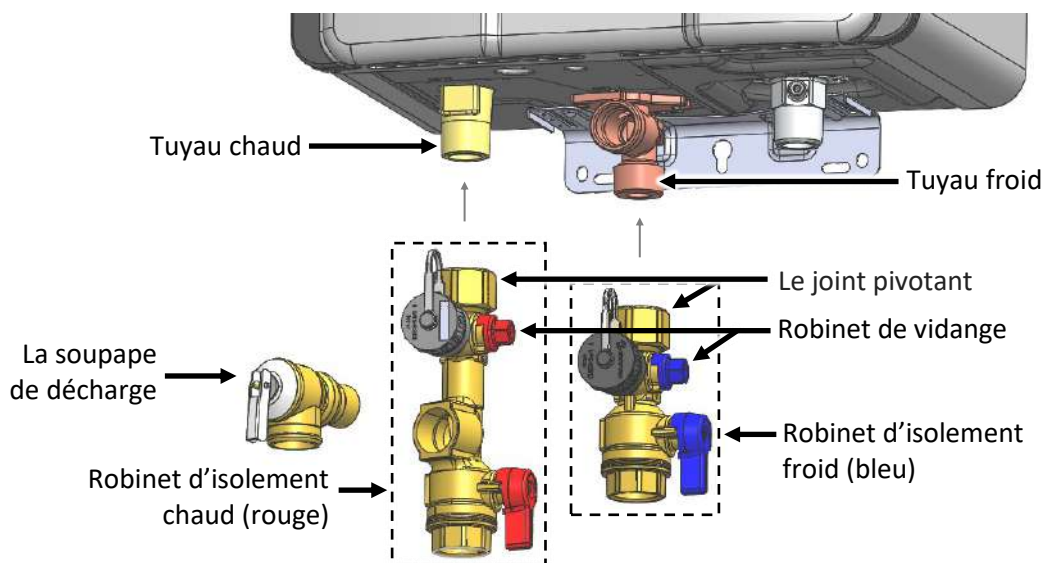
- La tuyauterie (incluant les matériaux de soudage) et les composants reliés à cet appareil doivent être approuvés pour une utilisation avec des systèmes à eau potable.
- Purgez la conduite d'eau pour chasser tous les débris et l'air résiduel. Les débris abîmeraient le chauffe-eau.
- Si l'appareil doit être utilisé sur une source d'eau potable, il ne doit pas être connecté à un système qui était précédemment utilisé avec de l'eau non-potable pour appareil de chauffage.
- Assurez-vous qu'un filtre à eau propre est bien installé sur le chauffe-eau.

Vannes d'isolement et soupapes de décharge

Les vannes d'isolement procurent la capacité d'isoler le chauffe-eau de la plomberie de la structure et de permettre un accès rapide pour rincer l'échangeur thermique. Contrôlez dans les normes locales si une soupape de décharge déclenchée sur pression et température est nécessaire. Les vannes incluses sont conformes aux normes *nationales américaines (ANSI Z21.10.3)* et *canadiennes (CSA 4.3)* et ont l'approbation ANSI/NSF 61 pour traiter de l'eau potable.

Instructions d'installation des vannes d'isolation :

1. Entourez ainsi que l'extrémité fileté de la soupape de décharge approuvée, avec un minimum de 5 tours de bande Teflon®.
2. Installez la soupape de décharge sur le port fileté 3/4" sur la vanne de service d'eau chaude "HOT" ROUGE (qui sera adjacente à la coupure, ou au-dessus, mais jamais dessous). Voyez la section relative à la soupape de décharge pour les besoins d'une bonne installation.
3. Placez le robinet d'isolement chaud (rouge) sous le tuyau chaud.
4. Serrez à la main le joint pivotant de la vanne d'isolement chaude (rouge) sur le côté chaud du chauffe-eau.
5. Tournez la soupape de décharge à une position accessible. Serrez le joint pivotant sur le chauffe-eau avec une clé.
6. Répétez les points 3 à 5 pour le robinet d'isolement froid (bleu).
7. Connectez le robinet d'isolement froid (bleu) à la conduite d'eau froide.
8. Connectez le robinet d'isolement chaud (rouge) à la conduite d'eau chaude.
9. Assurez-vous que les deux robinets de vidange sont fermés avant d'ouvrir le robinet d'eau.



Instructions d'installation de soupape de décharge (PRV) :

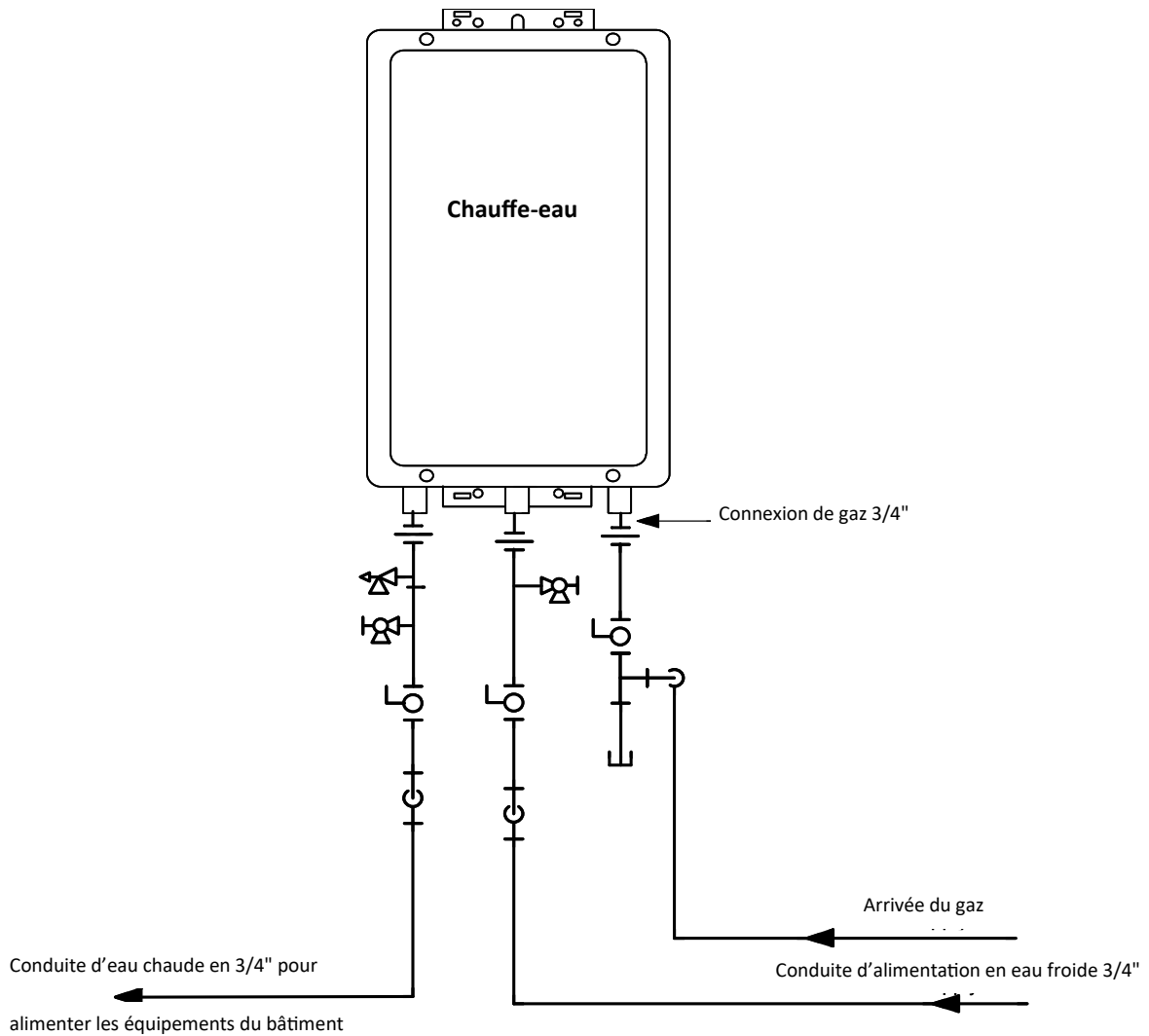
La soupape de décharge (PRV) doit être connectée sur le port fileté 3/4" de la vanne de service d'eau chaude "HOT" ROUGE (qui sera adjacente à la coupure, ou au-dessus, mais jamais dessous). L'installation doit maintenir une taille de port de 3/4" sans vanne de coupure ni restriction de conduite entre le chauffe-eau et la PRV. La conduite de décharge de la PRV doit être inclinée vers le bas et se terminer 6" (15 cm) au-dessus des drains où l'évacuation doit être clairement visible. L'extrémité de décharge de la conduite doit être lisse (non-filetée) avec un diamètre d'au moins 3/4". Le matériau de cette conduite de décharge doit supporter de l'eau à au moins 180°F (82 °C). Aucune vanne quelque soit son type ne doit être installée dans cette conduite de décharge de la soupape de décharge.

Entretien de la soupape de décharge :

Pour entretenir correctement cette soupape de décharge approuvée, il est recommandé qu'elle soit activée manuellement une fois par an. Pour cela, il est nécessaire de prendre des précautions contre la sortie d'eau sous pression pouvant potentiellement vous ébouillanter. Assurez-vous que l'eau évacuée à un endroit où s'écouler sans danger. Un contact avec votre corps ou des objets proches peut causer une blessure ou des dégâts.

Veuillez noter que seule cette PRV dans le lot est certifiée par CSA International comme article approuvé.

Schéma de tuyauterie pour installation de base



LÉGENDES

	Robinet à boisseau 3/4"		Régulateur de pression
	Raccord-union 3/4"		Pompe de circulation
	Clapet anti-retour		Vanne de drainage de chauffe-eau
	Soupape de décharge		Électrovanne

Ceci n'est pas un dessin technique. Son seul but est de guider, et non de remplacer des dessins techniques professionnels de projet. Ce schéma n'a pas vocation à décrire un système complet. Il est de la responsabilité du sous-traitant ou de l'ingénieur en charge de déterminer les composants nécessaires pour le système spécifique à installer. Le schéma ne sous-entend pas une conformité avec les exigences des normes locales de construction. Il est de la responsabilité du sous-traitant ou de l'ingénieur en charge de s'assurer que l'installation est en conformité avec toutes les normes locales de construction. Consultez les autorités locales de construction avant l'installation.

Raccordement du chauffe-eau sur l'alimentation en eau

Les connexions d'eau sur le chauffe-eau sans réservoir doivent respecter toutes les normes provinciales et locales de plomberie.

Si c'est une installation standard, référez-vous au schéma de tuyauterie pour une installation de base.

Raccordez l'alimentation en eau sur le chauffe-eau sans réservoir sur la connexion MNPT de 3/4" en bas de l'appareil, marquée "Water Inlet", qui correspond à l'entrée d'eau froide.

Raccordez la fourniture d'eau chaude pour le bâtiment sur la connexion MSPT de 3/4" marquée "Water Outlet", qui correspond à la sortie d'eau chaude.

Si un cache de tuyau est à installer, assurez-vous que les conduites d'eau allant au chauffe-eau sont bien adaptées.

Liste de contrôle pour la plomberie

- Purgez la conduite d'eau de tous les débris et de l'air en fermant la vanne d'isolement de l'eau chaude et en ouvrant celle de l'eau froide et son drainage. **Les débris abîmeraient le chauffe-eau. Utilisez un seau ou un tuyau si nécessaire.**
- Assurez-vous que les conduites d'eau froide et d'eau chaude ne sont pas interverties sur le chauffe-eau et qu'elles ne présentent pas de fuites.
- Assurez-vous qu'une soupape de décharge est installée, avec une capacité dépassant la puissance en BTU du modèle de chauffe-eau. Référez-vous à la plaque signalétique sur le côté du chauffe-eau pour cette puissance en BTU.
- Nettoyez le filtre d'entrée d'eau en fermant les vannes d'isolement (coupure) de l'eau chaude et froide. Placez un seau sous le filtre en bas du chauffe-eau pour capter toute l'eau qui était contenue dans le chauffe-eau. Dévissez le filtre à eau. Rincez le filtre pour éliminer tous les débris. Remettez le filtre en place et rouvrez les vannes d'isolement.
- Contrôlez que l'eau arrive sous la bonne pression au chauffe-eau. La pression d'eau minimale/maximale doit être de 20-150 psi. Rinnai recommande 30-80 psi pour une performance maximale.

Installation de l'alimentation en gaz

AVERTISSEMENT

1. Un professionnel agréé doit installer l'alimentation en gaz.
2. Coupez l'alimentation secteur 120 V.
3. Coupez l'arrivée du gaz.
4. Le gaz est inflammable. Ne fumez pas ou n'approchez pas d'autres sources d'allumage quand vous travaillez sur du gaz.
5. Ne mettez pas en marche le chauffe-eau et ne rétablissez pas l'arrivée du gaz avant que toutes les fumées se soient dissipées.

Instructions générales

À FAIRE

- Une vanne manuelle de commande de gaz doit être placée sur la conduite d'arrivée du gaz vers le chauffe-eau. Un raccord-union peut être utilisé sur la connexion au-dessus de la vanne de coupure, pour une future intervention de service ou de débranchement de l'appareil.
- Contrôlez le type de gaz et sa pression à l'arrivée avant de brancher sur le chauffe-eau. Si le chauffe-eau ne correspond pas au type de gaz qui alimente le bâtiment, NE le raccordez PAS sur le chauffe-eau. Contactez le revendeur pour connaître l'appareil adéquat pour le type de gaz existant.
- Contrôlez la pression de l'alimentation en gaz immédiatement en amont à un endroit fourni par la régie du gaz. Cette pression doit rester dans les limites montrées à la section des spécifications quand l'ensemble des appareils au gaz de la maison consomment.
- Avant de mettre l'appareil en marche, tous les joints dont ceux du chauffe-eau doivent avoir leur étanchéité au gaz vérifiée, au moyen d'une solution pour détection des fuites, ou une solution équivalent ininflammable, selon la disponibilité. (Comme certaines solutions de test de fuite, incluant l'eau savonneuse, peuvent causer de la corrosion ou de la fissuration sous contrainte, les conduites sont à rincer à l'eau après le test, sauf s'il a été déterminé que la solution pour chercher des fuites n'est pas corrosive).
- Utilisez des connecteurs approuvés pour brancher le chauffe-eau sur la conduite de gaz. Purgez la conduite de gaz de tous débris avant son branchement sur le chauffe-eau.

- Tout composé utilisé sur un joint fileté de tuyauterie de gaz doit être d'un type qui résiste à l'action du gaz de pétrole liquéfié (propane / LPG).
- La conduite d'alimentation au gaz doit être étanche, de bon calibre, et installée de façon à fournir assez de gaz pour satisfaire la demande maximale du chauffe-eau plus des autres appareils carburant au gaz du lieu sans perte de pression.

INFORMATIONS

- Référez-vous au tableau de calibre de tube approuvé si vous avez un doute sur la taille de la conduite de gaz.

Taille de la conduite de gaz

L'alimentation en gaz doit être à même de satisfaire l'ensemble de la consommation de gaz dans le logement. Le calibre de la conduite de gaz est basé sur le type de gaz, la chute de pression dans le système, et le type de conduite elle-même. Pour le calibrage de conduite de gaz aux USA, référez-vous à la *norme américaine sur le gaz combustible, NFPA 54*. Les informations qui suivent sont données à titre d'exemple. Il faut utiliser le tableau officiel de la norme applicable.

Pour certains tableaux, vous devrez déterminer la quantité horaire en pieds cube de gaz nécessaire, en divisant la puissance consommée par la valeur calorifique du gaz (disponible chez la régie locale de distribution du gaz). Le besoin en gaz doit inclure tous les produits fonctionnant au gaz de l'endroit, et l'utilisation maximale en BTU à pleine charge de tous ces produits en utilisation simultanée.

Pieds cubes par heure (CFH) = $\frac{\text{Consommation de tous les produits au gaz (BTU/H)}}{\text{Valeur calorifique du gaz (BTU / FT}^3\text{)}}$

Utilisez le tableau selon votre type de gaz et de conduite, pour trouver le calibre de tuyau voulu. Le calibre de tuyau doit être à même de fournir le volume (pieds cube) par heure de gaz ou le BTU/h requis.

Exemple :

La valeur calorifique du gaz naturel à votre emplacement est de 1 000 BTU/FT³. La puissance consommée de le RL94i est de 199 000 BTU/H. Des appareils additionnels sur le site demandent 65 000 BTU/H. Cela donne donc un volume de gaz par heure de $(199\ 000 + 65\ 000) / 1\ 000 = 264\ \text{FT}^3/\text{H}$. Si la longueur de conduite est de 10 pieds, alors du tube de 3/4" est capable de fournir 264 FT³/H de gaz naturel.

Tableau de calibrage de tube – Gaz naturel

Tube métallique qualité 40

Pression d'entrée : Moins de 2 psi (55 pouces de hauteur de colonne d'eau)

Chute de pression : 0,3 pouce de hauteur de colonne d'eau. Densité : 0,60 pieds³ par heure

Longueur	Diamètre de tube (pouces)			
	3/4	1	1 1/4	1 1/2
10	273	514	1060	1 580
20	188	353	726	1 090
30	151	284	583	873
40	129	243	499	747
50	114	215	442	662
60	104	195	400	600
70	95	179	368	552
80	89	167	343	514
90	83	157	322	482
100	79	148	304	455

Tableau de calibrage de tube – Gaz propane

Tube métallique qualité 40

Pression d'entrée : 11 pouces de hauteur de colonne d'eau

Chute de pression : 0,5 pouce de hauteur de colonne d'eau. Densité : 1,50

Capacité en milliers de BTU par heure

Longueur	Diamètre de tube (pouces)			
	1/2	3/4	1	1 1/4
10	291	608	1150	2 350
20	200	418	787	1 620
30	160	336	632	1 300
40	137	287	541	1 110
50	122	255	480	985
60	110	231	434	892
80	101	212	400	821
100	94	197	372	763

Raccordement de l'électricité

AVERTISSEMENT

N'utilisez pas de cordon rallonge, ni d'adaptateur de prise avec cet appareil.

Le chauffe-eau doit être électriquement relié à la terre en conformité avec les normes et ordonnances locales, ou en leur absence avec la norme électrique américaine ANSI/NFPA N° 70.

Les chauffe-eau sont équipés d'une fiche d'alimentation à 3 broches (avec terre) pour votre protection contre le risque d'électrocution, et sont à brancher directement dans une prise secteur 3 broches convenablement reliée à la terre. Ne coupez pas et n'enlevez pas la broche de terre de cette fiche secteur.

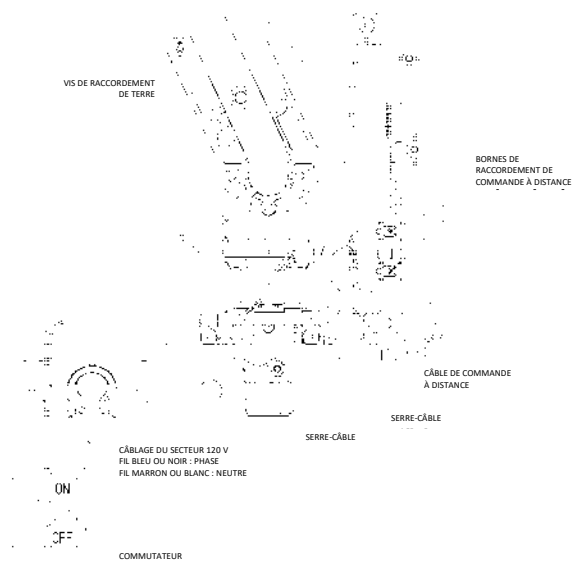
Ne vous basez pas sur la tuyauterie de gaz ou d'eau pour la mise à la terre du chauffe-eau. Une vis est fournie au boîtier de raccordement pour la liaison de terre.

Le chauffe-eau a besoin d'une alimentation secteur de 120 V CA/60 Hz venant d'un circuit avec une bonne terre.

Si vous utilisez le cordon secteur de 5 pieds (1,5 m), branchez-le dans une prise secteur murale 120 V CA/60 Hz convenablement reliée à la terre.

Sur les modèles d'extérieur, un interrupteur doit être fourni et installé pour l'arrivée du secteur 120 V. Il doit convenir à une utilisation à l'extérieur. Vérifiez avec la norme électrique américaine, ANSI/NFPA 70, et vos normes locales pour trouver le bon type d'interrupteur pour votre région.

Le schéma de câblage électrique est situé sur la fiche technique à l'intérieur du couvercle frontal.



Réglage pour installations à forte altitude

Sur le bloc SW1 de micro-commutateurs DIP (bronze), passez les micro-commutateurs 2 et 3 sur les positions montrées au tableau selon votre altitude. Le paramétrage par défaut pour l'appareil est pour 0-2 000 pieds (0-610 m), avec les micro-commutateurs N° 2 et 3 en position OFF.

Quand la position des micro-commutateurs DIP est modifiée, il n'est pas nécessaire d'ajuster le réglage de pression du gaz pour la forte altitude.

Altitude	Micro-commutateur N° 2 de SW1	Micro-commutateur N° 3 de SW1
0-2 000 pieds (0-610 m)	ARRÊT	ARRÊT
2 001-5 200 pieds (610-1 585 m)	ARRÊT	MARCHE
5 201-7 700 pieds (1 585-2 347 m)	MARCHE	ARRÊT
7 701-10 200 pieds (2 347-3 109 m)	MARCHE	MARCHE

Ajustement pour la longueur de ventilation

(modèles d'intérieur uniquement)

Régalez le micro-commutateur DIP N° 1 du bloc SW1 (micro-commutateurs bronze) si c'est nécessaire. Référez-vous à la section "Longueur maximale de ventilation".

Liste de contrôle pour gaz et électricité

- Une vanne manuelle de commande de gaz doit être placée sur la conduite d'arrivée du gaz vers le chauffe-eau.
- Contrôlez les conduites et raccordements de gaz pour l'absence de fuites.
- Confirmez que la pression d'entrée du gaz est dans les limites.
- Confirmez que le chauffe-eau est spécifié pour le type de gaz fourni.
- Confirmez que l'alimentation électrique vient d'une source secteur 120 V CA/60 Hz avec circuit alimenté et bien relié à la terre.
- Confirmez qu'il n'y a pas eu d'adaptateur de fiche ni de cordon de rallonge utilisés avec le chauffe-eau.
- Pour les modèles d'intérieur, vérifiez que le micro-commutateur DIP N° 1 du bloc bronze SW1 a bien été positionné en fonction de la longueur de ventilation si c'était nécessaire. Référez-vous à la section "Longueur maximale de ventilation".

Installation de contrôleur de température

AVERTISSEMENT

Coupez l'alimentation électrique. N'essayez pas de connecter de contrôleur(s) de température en restant sous tension. Bien qu'un contrôleur soit un appareil en basse tension, il y a de la tension 120 V près de sa connexion dans le chauffe-eau.

Ne branchez surtout pas le contrôleur de température sur les bornes de 120 V prévues pour les électrovannes optionnelles de drainage.

Des modèles ont leur contrôleur intégré dans le panneau frontal. Des contrôleurs additionnels peuvent être installés.

Emplacement des contrôleurs

- Le contrôleur doit être hors de portée des petits enfants.
- Évitez les endroits où le contrôleur peut devenir chaud (près d'un four ou d'un radiateur).
- Évitez les endroits directement au rayonnement solaire. L'afficheur numérique peut être difficile à lire en plein soleil.
- Évitez les endroits où le contrôleur de température peut être éclaboussé par des liquides.
- Ne l'installez pas dans des endroits où il peut être déréglé par le public.

Longueurs et calibres de câble

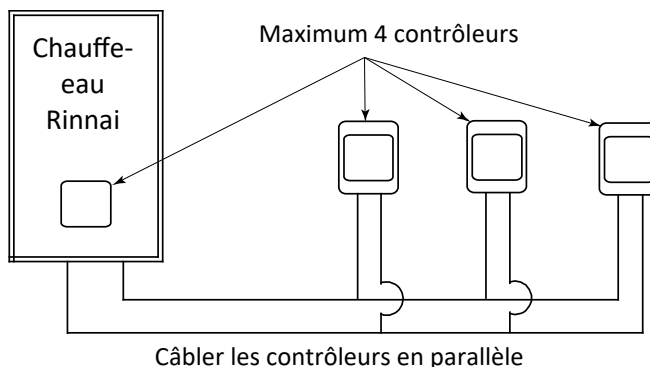
Le câble pour le contrôleur de température doit être du type à deux âmes non polarisé avec un calibre 22 AWG au moins. La longueur maximale de câble entre chaque contrôleur et le chauffe-eau dépend du nombre total de contrôleurs actifs reliés au chauffe-eau.

Nombre de contrôleurs câblés	Longueur max. de câblage au chauffe-eau pour chaque contrôleur
1	328 pieds (100 m)
2	164 pieds (50 m)
3 or 4*	65 pieds (20 m)

* Seulement 3 contrôleurs additionnels peuvent être câblés sur le chauffe-eau d'intérieur.

Configurations

Un maximum de 4 contrôleurs de température peut être installé pour un chauffe-eau ou un groupe de chauffe-eau. Ce décompte inclut le contrôleur intégré dans un chauffe-eau lui-même. Les contrôleurs ne peuvent être câblés qu'en parallèle. On ne doit pas les câbler en série.



Ces 4 contrôleurs de température peuvent être constitués de plusieurs MC-91-2 ou MCC-91-2, mais d'un seul BC-100V et d'un seul MC-100V.

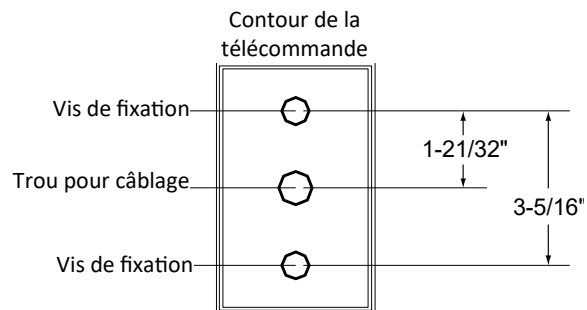
(Un MC-91-1 ne doit pas être installé sur un chauffe-eau ayant déjà un MC-91-2 connecté).

La fonction d'horloge sur le BC-100V ne sera disponible que si un MC-100V est également connecté.

Si 4 modèles MC-91 sont installés, appuyez simultanément sur les boutons de Priorité et de M/A sur le quatrième contrôleur jusqu'à l'audition d'un bip.

Montage du contrôleur

Faites trois trous dans le mur comme c'est montré.



Faites passer le câble entre le contrôleur et le chauffe-eau, ou entre le contrôleur et un autre contrôleur.

Enlevez la plaque de façade du contrôleur de température en utilisant un tournevis.

Branchez le câble sur le contrôleur de température.

Montez le contrôleur sur le mur en utilisant les trous percés à l'étape 1.

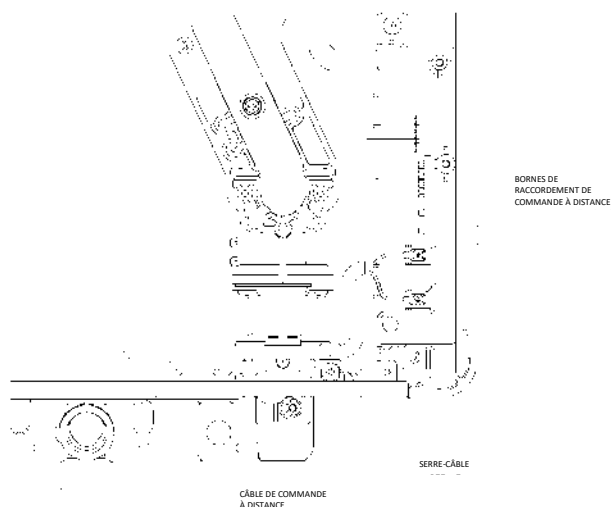
Débranchez l'alimentation électrique du chauffe-eau.

Enlevez le couvercle en plastique de carte de circuit imprimé (PCB) et des connexions électriques.

Passez le câble au travers du trou d'accès à la base du contrôleur et branchez les fils sur ses bornes en bas du côté droit sur la PCB.

Fixez le câble du contrôleur en utilisant le serre-câble fourni.

Remettez en place le couvercle en plastique sur la PCB puis remettez le couvercle du chauffe-eau.



Liste de contrôle final

- Le chauffe-eau n'est pas exposé à des composés corrosifs dans l'air.
- L'eau d'alimentation ne contient pas de produits chimiques et ne présente pas un taux de dureté qui endommagerait l'échangeur thermique.
- Les dégagements à partir du chauffe-eau sont respectés.
- Les dégagements à partir de la terminaison de ventilation/de l'admission d'air sont respectés.
- Assurez-vous d'avoir utilisé les produits de ventilation corrects pour le modèle installé, et que vous avez bien suivi entièrement les instructions d'installation du fabricant et les présentes instructions d'installation.
- Vérifiez que la ventilation prévue ne dépassera pas la longueur maximale en fonction du nombre de coudes utilisé.
- Pour les modèles d'intérieur, vérifiez que le micro-commutateur DIP N° 1 du bloc bronze SW1 a bien été positionné en fonction de la longueur de ventilation si c'était nécessaire. Référez-vous à la section "Longueur maximale de ventilation".
- Vérifiez que le tube de ventilation a bien une pente vers l'extérieur de 1/4 pouce par pied (1,2°) OU qu'il est incliné vers le chauffe-eau (comme le demandent certaines normes locales), que le collecteur de condensats est installé de façon à permettre de drainer les condensats en les écartant du chauffe-eau vers un drain adéquat.
- Vérifiez que les condensats n'auront pas la possibilité de revenir dans le chauffe-eau.
- Purgez la conduite d'eau de tous les débris et de l'air en fermant la vanne d'isolement de l'eau chaude et en ouvrant celle de l'eau froide et son drainage. **Les débris abîmeraient le chauffe-eau.** Utilisez un seau ou un tuyau si nécessaire.
- Assurez-vous que les conduites d'eau froide et d'eau chaude ne sont pas interverties sur le chauffe-eau et qu'elles ne présentent pas de fuites.
- Nettoyez le filtre d'entrée d'eau en fermant les vannes d'isolement (coupure) de l'eau chaude et froide. Placez un seau sous le filtre en bas du chauffe-eau pour capter toute l'eau qui était contenue dans le chauffe-eau. Dévissez le filtre à eau. Rincez le filtre pour éliminer tous les débris. Remettez le filtre en place et rouvrez les vannes d'isolement.
- Assurez-vous qu'une soupape de décharge est installée, avec une capacité dépassant la puissance en BTU du modèle de chauffe-eau. Référez-vous à la plaque signalétique sur le côté du chauffe-eau pour cette puissance en BTU.
- Une vanne manuelle de commande de gaz doit être placée sur la conduite d'arrivée du gaz vers le chauffe-eau.
- Contrôlez les conduites et raccordements de gaz pour l'absence de fuites.
- Confirmez que la pression d'entrée du gaz est dans les limites.
- Confirmez que le chauffe-eau est spécifié pour le type de gaz fourni.
- Confirmez que l'alimentation électrique vient d'une source secteur 120 V CA/60 Hz avec circuit alimenté et bien relié à la terre.
- Vérifiez le non fonctionnement du contrôleur de température.
- Vérifiez que les micro-commutateurs DIP N° 2 et 3 du bloc bronze SW1 sont positionnés correctement en fonction de votre altitude.
- Vérifiez que le système fonctionne bien en branchant votre manomètre sur le port de test de pression du gaz sur le chauffe-eau. Faites fonctionner tous les appareils carburant au gaz de votre site à plein feu. La pression d'arrivée du gaz au chauffe-eau ne doit pas tomber en-dessous de la valeur spécifiée sur sa plaque signalétique.
- N'introduisez PAS** de produits chimiques toxiques comme ceux utilisés pour le traitement des eaux de chaudière à l'eau potable servant au chauffage des locaux.
- Si le chauffe-eau n'est pas prévu pour une utilisation immédiate, vidangez toute l'eau de l'échangeur thermique.
- Installez le panneau frontal.
- Expliquez au client l'importance de ne pas bloquer la terminaison de ventilation ou d'admission d'air.
- Expliquez au client le fonctionnement du chauffe-eau, les consignes de sécurité, l'entretien et la garantie.
- L'installation doit être en conformité avec les normes locales, ou en leur absence avec la *norme américaine ANSI Z223.1/NFPA 54 (Gaz combustible)*, ou la *norme canadienne CSA B149.1 (Installations au gaz naturel ou propane)*. En cas d'installation en maison préfabriquée, il faut se conformer à la norme américaine pour *Construction de maison préfabriqué et sécurité, Titre 24 CFR, Partie 3280 et/ou à la norme canadienne CAN/SCA Z240 Série MH (Maisons mobiles)*.
- Informez le client si des vannes d'isolement, ou un système d'adoucissement de l'eau, ne sont pas installés.
- Laissez tout le manuel fixé par bande sur le chauffe-eau (modèles d'intérieur), ou sur le contrôleur de température (modèles d'extérieur), ou donnez-le directement au consommateur.**

Données techniques

Spécifications

		<i>RL75i</i>	<i>RLX94i</i>	<i>RL94i</i>	<i>RL75e</i>	<i>RL94e</i>
Consommation min. de gaz en Btu/h		10 300				
Consommation max. de gaz en Btu/h		180 000	192 000	199 000	180 000	199 000
Capacité en eau chaude (Min. – Max.) *		0,26 – 7,5 GPM (1,0 - 28,5 L/min)	0,26 – 9,8 GPM (1,0 - 37,0 L/min)	0,26 – 9,8 GPM (1,0 - 37,0 L/min)	0,26 – 7,5 GPM (1,0 - 28,5 L/min)	0,26 – 9,8 GPM (1,0 - 37,0 L/min)
Réglage de température (sans contrôleur)		120°F (49 °C) ou 140°F (60 °C)				
Réglage de température max. (résidentiel)		Réglable à 120°F (49 °C) ou 140°F (60 °C)				
Réglage de température max. (Contrôleur MCC-91)		160° F (71° C)	185° F (85° C)	185° F (85° C)	160° F (71° C)	185° F (85° C)
Réglage de température minimal		98° F (37° C)				
Poids		45,6 lb (20,7 kg)	46,3 lb (21,0 kg)	46,3 lb (21,0 kg)	43,6 lb (19,8 kg)	44,3 lb (20,1 kg)
Niveau de bruit		49 dB (en excluant les phases de démarrage et d'arrêt)				
Données électriques	Normal	76 W	97 W	97 W	57 W	65 W
	Attente	2 W				
	Protection anti-gel	120 W			104 W	
	Courant max.	Sans pompe de recirculation : 4 A Avec pompe de recirculation : 8 A (valeur exacte selon la pompe)				
	Fusible	10 A				
Commande de surpassement		Fixe	Électronique	Électronique	Fixe	Électronique
Pression d'entrée du gaz	Gaz naturel	4,0 – 10,5 pouces de hauteur de colonne d'eau				
	Propane	8,0 – 13,5 pouces de hauteur de colonne d'eau				
Type d'appareil		Système de production d'eau chaude à gaz, à flux continu et température contrôlée, à ventilation directe sans réservoir				
Connexions		Arrivée du gaz : 3/4" MNPT, arrivée d'eau froide : 3/4" MNPT, sortie d'eau chaude : 3/4" MNPT				
Système d'allumage		Allumage électronique direct				
Connexions électriques		Appareil : 120 Volts CA, 60 Hz. Contrôleur de température : 12 Volts CC (numérique)				
Contrôle de température de l'eau		Simulation prévisionnelle et compte-rendu				
Pression de l'arrivée d'eau		Pression d'eau minimale : 20 PSI (Recommandation 30-80 psi pour une performance maximale)				
Pression de l'arrivée d'eau maximale		150 PSI				
Câble de contrôle de température		Câble non-polarisé à deux âmes (22 AWG minimum)				
Certifié pour une installation dans des maisons mobiles préfabriquées		Oui				
Conformité avec 14 ng/J (Côte Sud, district de gestion de qualité de l'air) ou niveaux d'émission 20 ppm de NOx		Oui	Oui	No	Oui	Oui

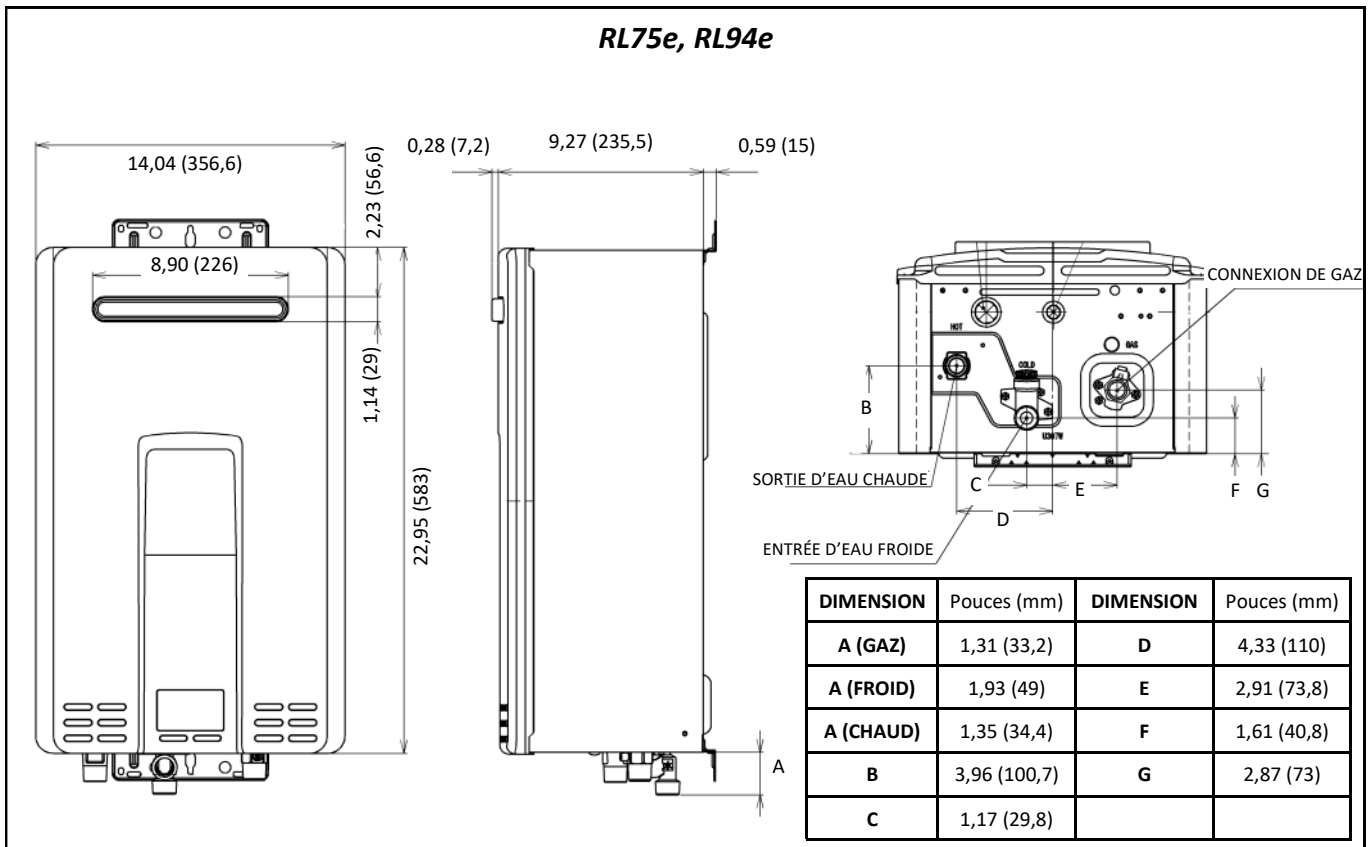
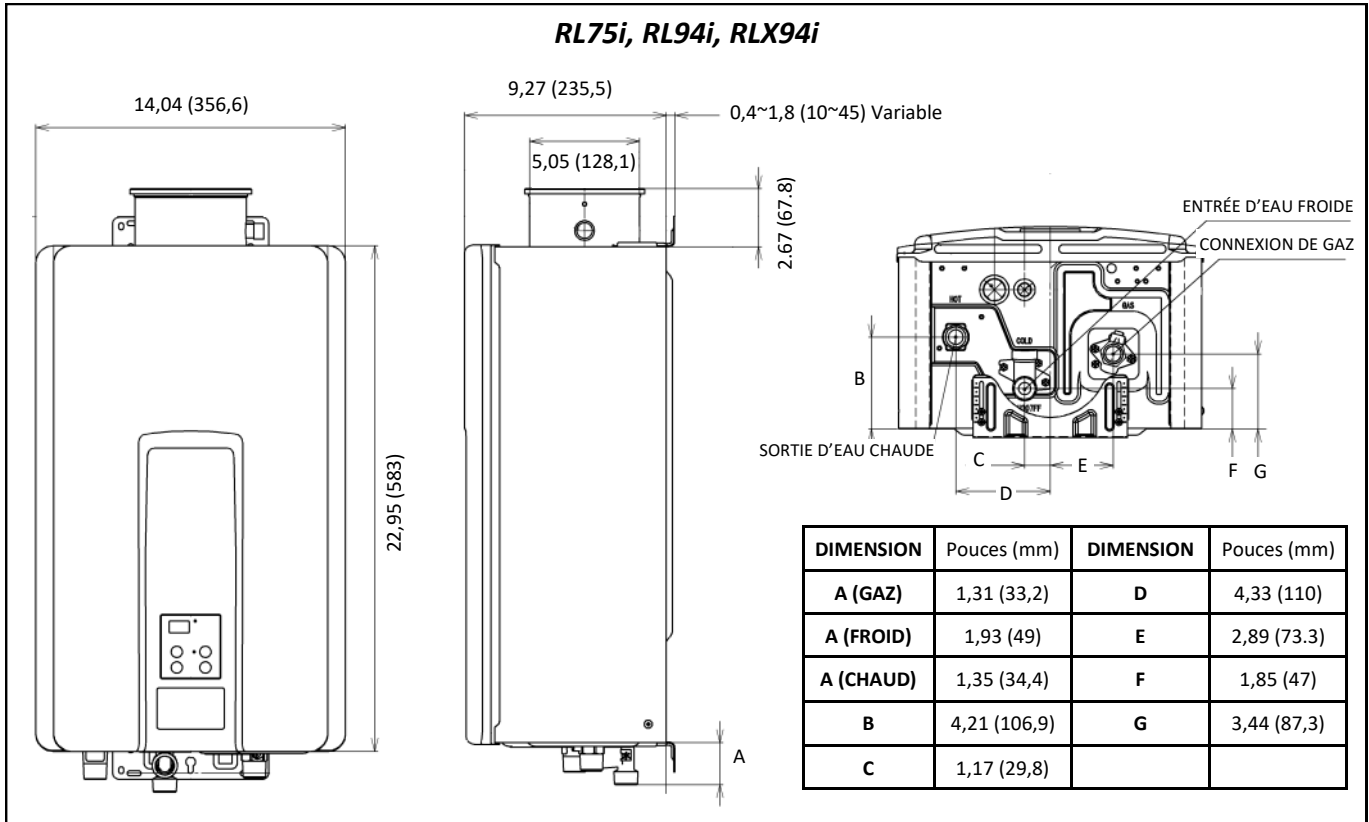
* Le flux minimum varie légèrement selon le réglage de température et la température d'arrivée de l'eau. Le flux d'activation minimum est de 0,4 GPM (soit 1,5 litres/minute).

Nos produits sont constamment mis à jour et améliorés. De ce fait, les spécifications sont sujettes à des changements sans préavis.

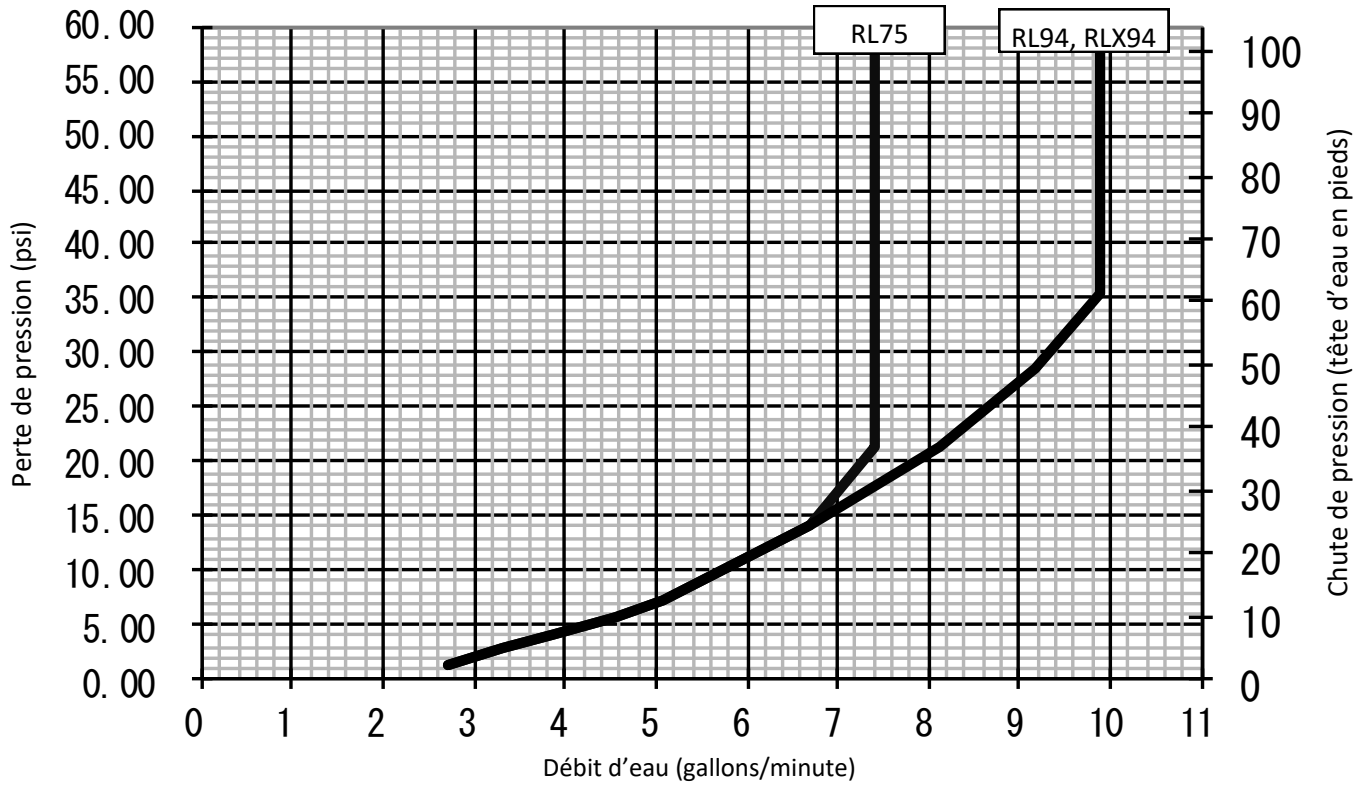
La pression maximale à l'arrivée du gaz ne doit pas dépasser la valeur donnée par le constructeur. La valeur minimale indiquée sert pour le réglage de la pression d'entrée.

Dimensions

Pouces (millimètres)



Courbe de chute de pression



Courbe de débit d'eau

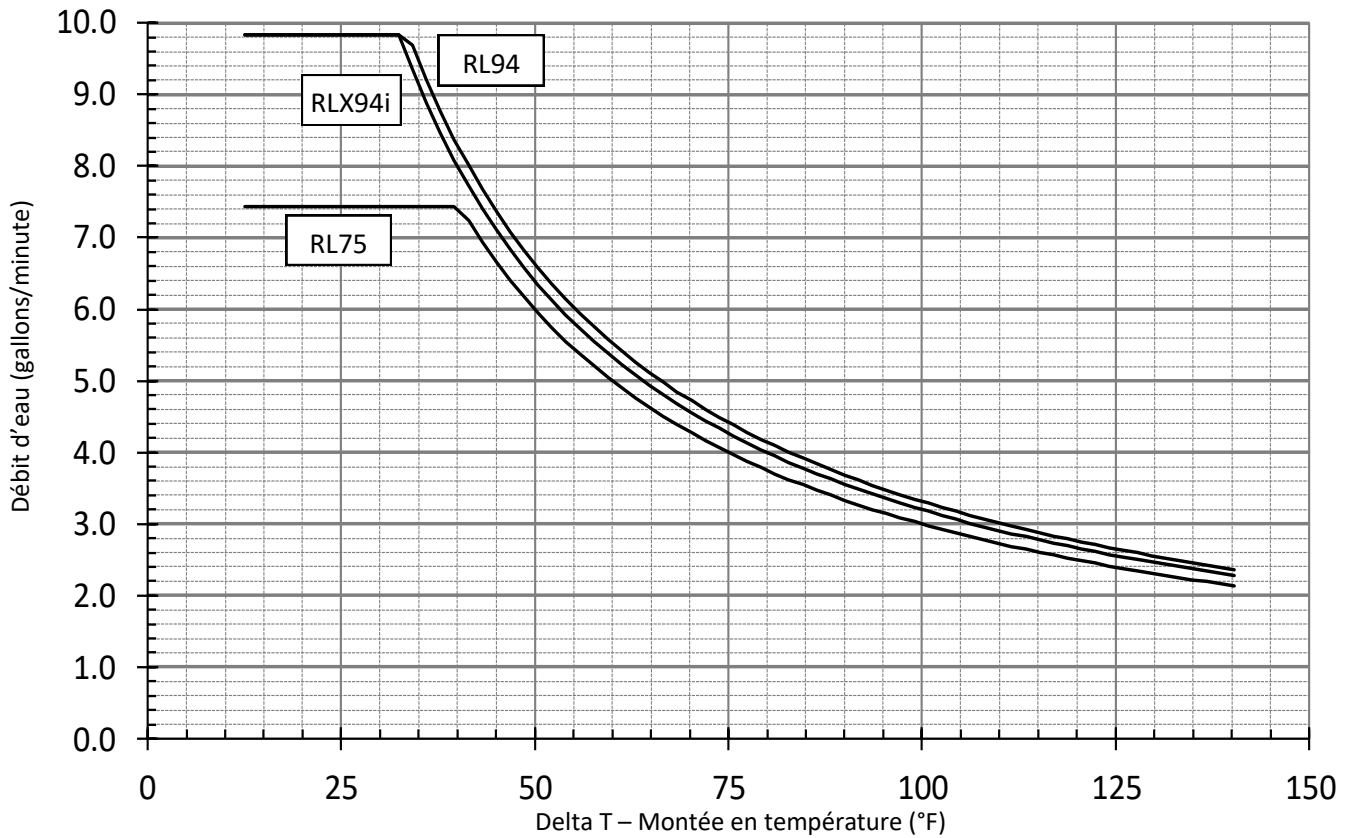
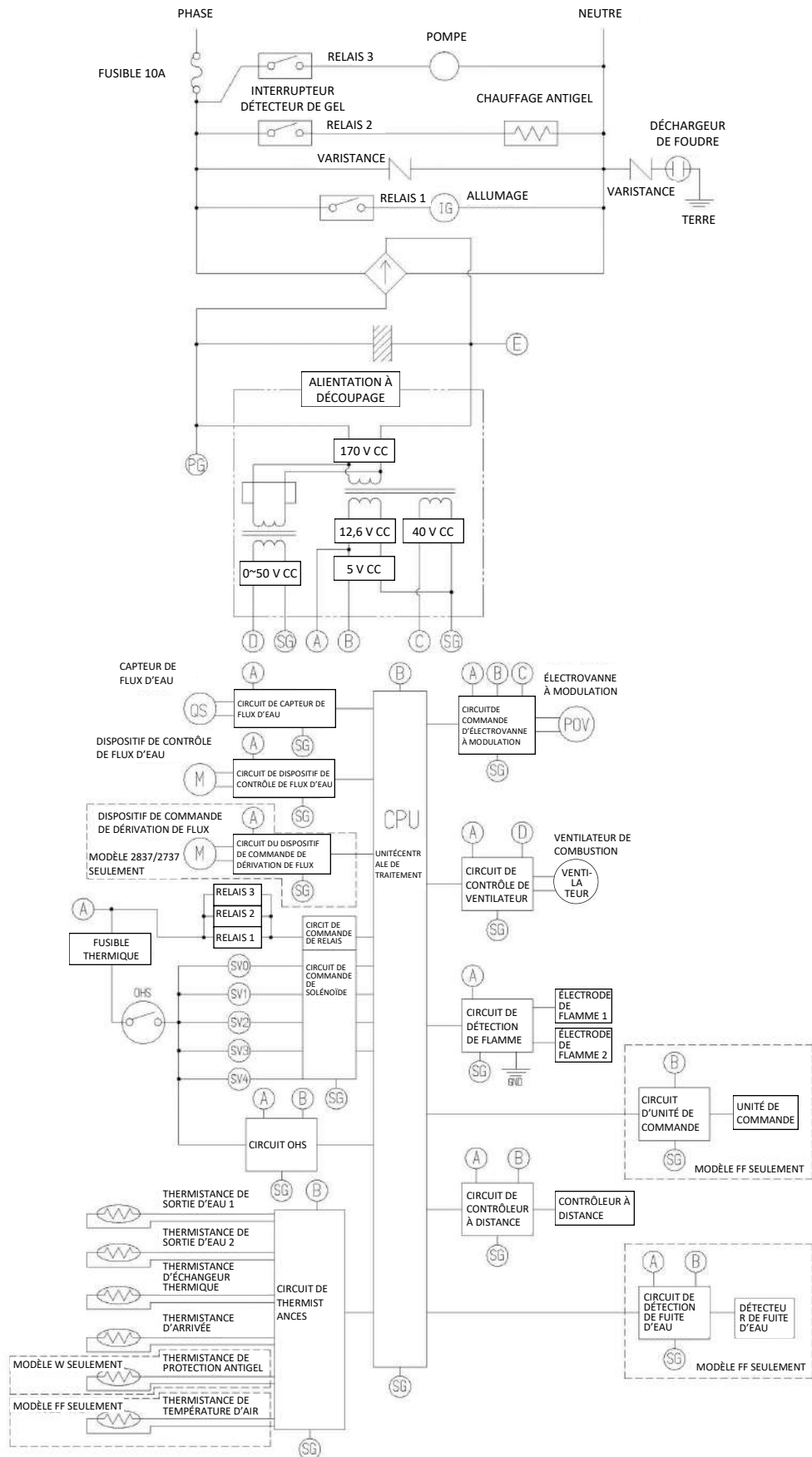


Diagramme en escalier



Mode recirculation

Le chauffe-eau Rinnai a la capacité de contrôler une pompe de recirculation. Deux modes sont disponibles, Economy et Comfort, qui font recirculer l'eau dans le système de plomberie pour fournir de l'eau chaude plus rapidement quand un robinet est ouvert.

Ce mode de recirculation ne concerne que les installations résidentielles. Ce mode de recirculation ne peut pas être utilisé avec le contrôleur de remplissage de baignoire (BC-100V), un groupe de traitement de l'air ou avec plusieurs chauffe-eau de Rinnai.

Le réglage maximal de température du Rinnai dans le mode de recirculation est de 140°F (60 °C).

Besoins pour la pompe

Tension : 120 V, 60 Hz

Courant : Moins de 2 ampères

REMARQUE : La carte de circuit du Rinnai peut être endommagée si le courant dépasse 2 A.

Courant de pointe : Moins de 2,5 ampères

Clapet anti-retour : Un clapet anti-retour intégré (IFC) est nécessaire. Voyez le schéma de plomberie.

Calibre de pompe

La pompe doit être calibrée pour 2,5 GPM afin de compenser la chute de pression dans le chauffe-eau sans réservoir, et la plomberie de distribution et de retour dans la boucle de circulation.

Pour plus d'informations sur le calibre de pompe, référez-vous au Guide Rinnai Circ-Logic™ ou à la section "Calibre de pompe pour circulation" dans le manuel Rinnai de conception de systèmes d'eau chaude.

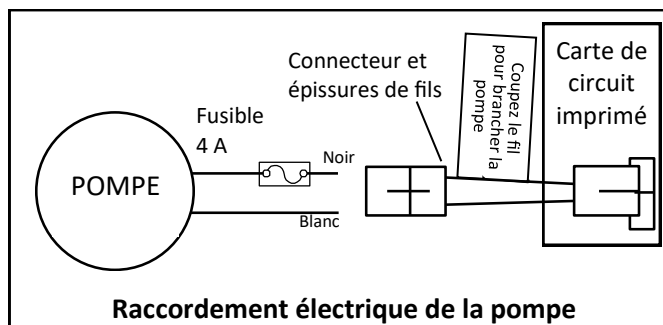
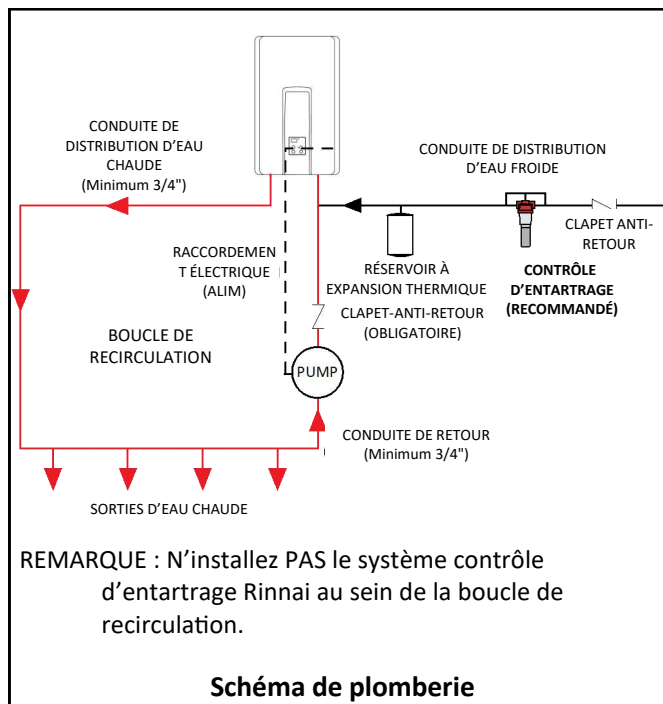
Installation

1. Coupez l'alimentation électrique en débranchant la fiche du cordon secteur ou en coupant le secteur au disjoncteur du circuit.
2. Installez la pompe de recirculation sur la conduite de retour en respectant les instructions du fabricant de la pompe. Installez un clapet anti-retour dans la ligne de retour comme c'est montré sur le schéma de plomberie, s'il n'y en a pas un de déjà intégré dans la pompe.
3. Le harnais de câblage pour la pompe de recirculation est jumelé avec le harnais de câblage depuis la carte de circuit imprimée. Le connecteur comporte un fil noir et blanc avec l'étiquette demandant de couper le fil pour le raccordement à la pompe. Pour raccorder à la pompe, coupez le connecteur, reliez les fils par épissures, et ajoutez un fusible de 4 A sur le fil chargé (noir) de la pompe. Branchez le fil de terre de la pompe sur une vis à la base du coffret de chauffe-eau. Référez-vous au schéma de branchement électrique de la pompe. Suivez les normes électriques et les recommandations du fabricant de la pompe.

4. Passez en position MARCHE le 4ème micro-commutateur DIP du bloc blanc SW2. Pour le mode Economy, passez en position OFF (par défaut) le 8ème micro-commutateur DIP du bloc blanc SW2. Pour le mode Comfort, passez en position ON (par défaut) le 8ème micro-commutateur DIP du bloc blanc SW2.

Réglages pour SW2 (bloc blanc de micro-commutateurs)		
	Micro-commutateur 4	Micro-commutateur 8
Mode économique (Economy)	MARCHE	ARRÊT
Mode de confort (Comfort)	MARCHE	MARCHE

5. Rebranchez l'alimentation électrique du chauffe-eau. Appuyez sur le bouton de marche (Power) du contrôleur. La pompe et le chauffe-eau se mettront en action pour augmenter la température dans la boucle de recirculation.



Mode recirculation (Suite)

Séquence de fonctionnement

Les micro-commutateurs DIP (N° 4 et 8 du bloc blanc SW2) doivent être positionnés correctement pour le mode de recirculation. Le chauffe-eau Rinnai doit être mis en marche.

La pompe de recirculation est activée quand le chauffe-eau démarre. Les thermistances d'entrée et de sortie du chauffe-eau Rinnai mesurent la température de l'eau.

Le chauffe-eau produit de l'eau chaude à la température de consigne. Si la thermistance d'entrée détecte une température anormale alors le code de diagnostic 51 est généré et la pompe est coupée.

Quand la température de l'eau de retour descend à environ 15°F (8,3 °C) en dessous de la consigne de température, le chauffe-eau et la pompe s'arrêtent.

Le cycle va redémarrer à la durée d'intervalle approximative du tableau sur la base des lectures de température des thermistances.

Mode économique (Economy)

Ce mode économique fonctionne comme ceci :

- Moins d'énergie consommée du fait de moins de cycles de pompe
- Cela suppose que la plomberie est isolée (perte thermique minimale des tubes)
- Cycle de pompe toutes les 31 à 79 minutes (voir le tableau).

Mode de confort (Comfort)

Ce mode plus confortable fonctionne comme ceci

- Plus d'énergie consommée du fait de cycles de pompe plus fréquents
- Assumant que la plomberie n'est pas isolée d'où il plus grosse déperdition thermique dans les tuyaux
- Cycle de pompe toutes les 15 à 39 minutes (voir le tableau).

Réglage de consigne de température du Rinnai en °F	Intervalles types de fonctionnement de la pompe *	
	Mode économique	Mode de confort (Comfort)
140	31	15
135	31	15
130	31	15
125	31	15
120	31	15
115	35	18
110	42	21
108	45	22
106	49	24
104	54	27
102	60	30
100	68	34
98	79	39

* La pompe va redémarrer à ces intervalles calculés qui sont basés sur le réglage de température, l'isolation et la perte de chaleur estimée du circuit. Les valeurs pour votre installation peuvent varier.

Le contrôleur MC 196T-US optionnel fournit une fonction de minuterie pour commander les périodes de marche/arrêt de la pompe de recirculation.



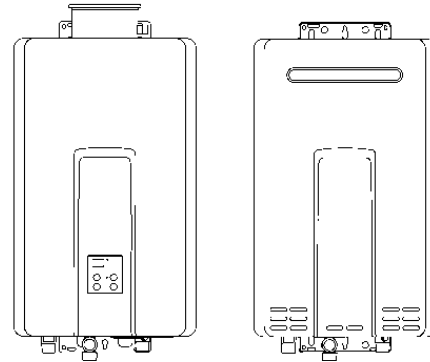
Chauffe-eau sans réservoir à ventilation directe Instructions d'utilisation

POUR DES APPLICATIONS EN INTÉRIEUR UNIQUEMENT

RL75i..... REU-VC2528FFUD-US
REU-VC2528FFUD-US(A)
RLX94i..... REU-VC2737FFUD-US
RL94i..... REU-VC2837FFUD-US

POUR DES APPLICATIONS EN EXTÉRIEUR UNIQUEMENT

RL75e REU-VC2528WD-US
REU-VC2528FFUD-US(A)
RL94e REU-VC2837WD-US



Points importants concernant votre chauffe-eau

Merci d'avoir acheté un chauffe-eau Rinnai sans réservoir. Pour un bon fonctionnement et la sécurité, il est important de suivre ces instructions et de respecter les précautions de sécurité.

Lisez attentivement toutes les instructions et la garantie avant de faire fonctionner ce chauffe-eau. Conservez ce manuel en lieu sûr.

AVIS : Rinnai partage parfois des informations de contact de clients avec des entreprises qu'il estime pouvoir fournir des produits ou services qui peuvent vous être utiles. En communiquant ces informations, vous donnez votre accord pour que nous communiquions vos informations de contact dans ce but. Si vous préférez que vos informations ne soient pas partagées avec ces entreprises, veuillez contacter notre service à la clientèle et demander à ce que cela ne se fasse pas pour vous. Nous continuerons cependant dans ce cas à vous contacter nous-mêmes avec des informations relatives au(x) produit(s) que vous avez enregistré(s) et/ou sur votre compte chez nous.



AVERTISSEMENT

Si les informations de ces instructions ne sont pas suivies exactement, il peut en résulter un départ d'incendie ou une explosion, causant des dégâts matériels et des blessures pouvant être mortelles.

- **N'entreposez pas ou n'utilisez pas d'essence ou d'autres vapeurs ou liquides inflammables à proximité de cet appareil ou de n'importe quel autre.**
- **QUE FAIRE SI VOUS SENTEZ LE GAZ**
 - **N'essayez d'allumer aucun appareil.**
 - **Ne touchez à aucun interrupteur électrique. N'utilisez aucun téléphone dans votre bâtiment.**
 - **Appelez immédiatement votre fournisseur de gaz depuis un téléphone du voisinage. Suivez les instructions qu'il vous donnera.**
 - **Si vous ne pouvez pas joindre votre fournisseur de gaz, appelez les pompiers.**
- **Installation et interventions de service doivent être effectuées par un professionnel agréé.**

Consignes à l'opérateur pour un fonctionnement sûr de son chauffe-eau

POUR VOTRE SÉCURITÉ LISEZ CECI AVANT DE COMMENCER



AVERTISSEMENT

Si vous ne suivez pas exactement ces instructions, il peut en résulter un départ d'incendie ou une explosion entraînant des dégâts matériels et blessures pouvant être fatales.

Cet appareil ne comporte pas de veilleuse. Il est équipé d'un dispositif d'allumage qui allume automatiquement le brûleur. N'essayez pas d'allumer le brûleur à la main.

AVANT D'UTILISER, reniflez tout autour de la zone du chauffe-eau pour déceler du gaz. Ne manquez pas de chercher près du plancher car certains gaz sont plus lourds que l'air et s'accumulent au sol.

QUE FAIRE SI VOUS SENTEZ LE GAZ

- N'essayez d'allumer aucun appareil.
- Ne touchez à aucun interrupteur électrique. N'utilisez aucun téléphone dans votre bâtiment.
- Appelez immédiatement votre fournisseur de gaz depuis un téléphone du voisinage. Suivez les instructions qu'il vous donnera.

- Si vous ne pouvez pas joindre votre fournisseur de gaz, appelez les pompiers.

N'utilisez que votre main pour appuyer sur le bouton de commande de gaz ou l'enfoncer. N'utilisez jamais d'outils. Si la commande ne se tourne pas ou ne s'enfonce pas à la main, n'essayez pas de la réparer vous-même, mais appelez un professionnel agréé. Le fait de forcer ou de tenter une réparation peut provoquer un départ d'incendie ou une explosion.

N'utilisez pas cet appareil si une partie quelconque a été immergée dans de l'eau. Appelez immédiatement un professionnel agréé pour inspecter l'appareil et remplacer toute pièce du système de contrôle et toute commande de gaz qui aurait séjourné sous l'eau.

INSTRUCTIONS D'UTILISATION

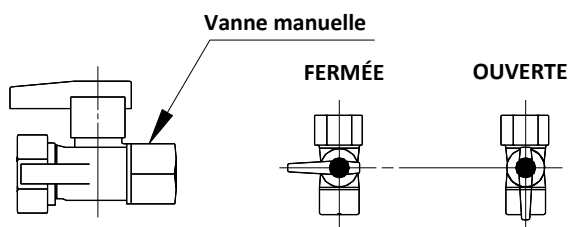
STOP! Lisez bien les informations de sécurité qui précèdent.

Passez le thermostat sur le réglage de température le plus bas.

Coupez l'alimentation électrique de l'appareil en utilisant le bouton Marche/Arrêt (ON/OFF).

Cet appareil est équipé d'un dispositif d'allumage qui allume automatiquement le brûleur. N'essayez pas d'allumer le brûleur à la main.

Localisez la vanne manuelle de gaz sur le côté du chauffe-eau. Tournez-la complètement en sens horaire jusqu'à sa position de fermeture (ARRÊT). ↻



Attendez cinq (5) minutes pour dissiper tout gaz éventuel. Puis reniflez pour détecter du gaz, y compris près du plancher. Si vous sentez le gaz, STOP! Suivez la partie B des informations de sécurité qui précèdent. Si vous ne sentez pas le gaz, poursuivez.

Tournez la vanne manuelle de gaz complètement en sens antihoraire jusqu'à sa position d'ouverture complète (MARCHE). ↻

Rétablissez toute l'alimentation électrique de l'appareil en utilisant le bouton Marche/Arrêt (ON/OFF).

Passez le thermostat sur le réglage de température de consigne voulu.

Ouvrez un robinet d'eau chaude de la maison. Si l'appareil ne se met pas en marche, suivez les instructions de coupure d'alimentation en gaz de l'appareil et appelez un professionnel agréé ou votre fournisseur de gaz. Consultez le manuel pour plus d'informations.

POUR COUPER LE GAZ À L'APPAREIL

Coupez l'alimentation électrique de l'appareil en utilisant le bouton Marche/Arrêt (ON/OFF).

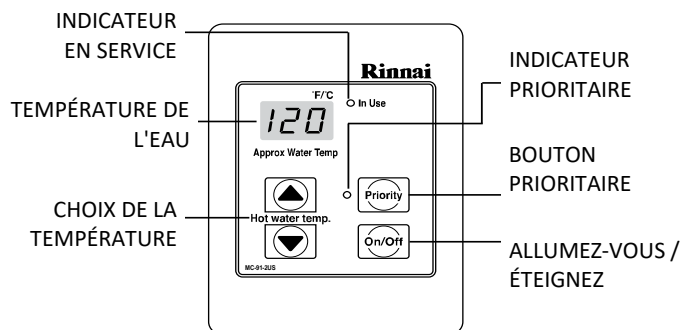
Passez le thermostat sur le réglage de température le plus bas.

Localisez la vanne manuelle de gaz sur le côté du chauffe-eau. Tournez-la complètement en sens horaire jusqu'à sa position de fermeture (ARRÊT). ↻

Comment utiliser le contrôleur de température

Le contrôleur MC-91-2 est le contrôleur de température standard qui est livré avec le chauffe-eau. Sur les modèles d'intérieur il est intégré dans son panneau frontal. Le contrôleur MCC-91-2 est pour des applications commerciales et à eau chaude nécessitant des températures plus élevées. Quand le contrôleur MCC-91-2 est connecté, ces températures plus élevées sont disponibles sur tous modèles de contrôleurs sur le système. Référez-vous à la section sur les plages de température.

NE faites PAS fonctionner de façon répétitive le chauffe-eau avec une utilisation d'eau chaude au robinet quand le contrôleur est à l'arrêt. L'utilisation ainsi du chauffe-eau pour produire de l'eau chaude peut causer une condensation de l'eau sur l'extérieur des pièces internes, avec une accumulation d'eau dans le carter du chauffe-eau.



Dimensions (pouces): 3.5 W x 4.75 H x 0.75 D

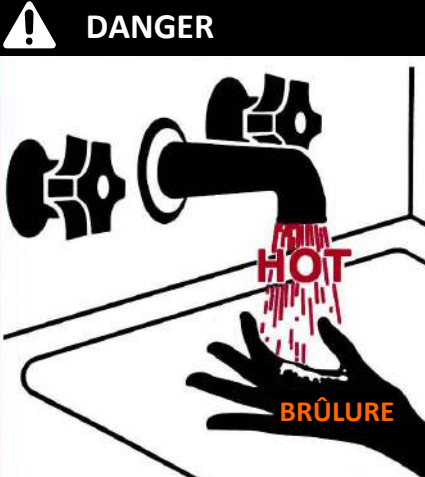
AVERTISSEMENT

- Avant la mise en œuvre, reniflez tout autour de la zone de l'appareil pour détecter une odeur de gaz. Ne manquez pas de chercher près du plancher car certains gaz sont plus lourds que l'air et s'accumulent au sol.
- Gardez la zone autour de l'appareil dégagée et exempte de matières combustibles, d'essence et d'autres vapeurs ou liquides inflammables.
- Contrôlez toujours la température de l'eau avant de prendre un bain ou une douche.
- N'utilisez pas cet appareil si une partie quelconque a été immergée dans de l'eau. Appelez immédiatement un professionnel agréé pour inspecter l'appareil et remplacer toute pièce du système de contrôle et toute commande de gaz qui aurait séjourné sous l'eau.
- En cas de surchauffe, ou si il est impossible de couper l'alimentation en gaz, coupez au niveau de la vanne manuelle de gaz en amont de l'appareil.
- Ne modifiez pas la position des micro-commutateurs sauf si cela vous a été demandé expressément.
- N'utilisez pas de cordon rallonge ni d'adaptateur de prise avec cet appareil.
- Toute altération de l'appareil ou de ses commandes peut être dangereuse et annulerait sa garantie.
- Si vous vivez dans une région connue pour la dureté de son eau, ou pour causer des accumulations de tartre, vous devez traiter votre eau et/ou rincer régulièrement le chauffe-eau. Rinnai propose le "Système de conditionnement d'eau ScaleCutter" de Southeastern Filtration qui permet une prévention supérieure du niveau d'entartrage et du contrôle de la corrosion, en injectant un mélange de composés de contrôle dans l'alimentation en eau froide. Les dommages et les réparations résultant de la présence de composés corrosifs dans l'air ne sont pas couverts par la garantie.
- Maintenez la zone d'admission d'air exempte de produits chimiques tels que chlore ou agent blanchissant qui produisent des fumées. Ces fumées peuvent endommager des composants et réduire la durée de service de votre appareil. Les dommages et les réparations résultant de la présence de composés corrosifs dans l'air ne sont pas couverts par la garantie.

Fixation de la température

Le chauffe-eau nécessite un minimum d'écoulement d'eau pour fonctionner. Ce seuil peut être trouvé sur la page de spécifications dans ce manuel. Dans certains cas, quand vous n'obtenez pas d'eau chaude ou si l'eau passe de chaude à froide, cela peut venir de ce que l'écoulement d'eau est en-dessous ou trop proche du seuil minimal d'écoulement. Le fait d'augmenter le débit tiré résout ces problèmes dans ces circonstances.

Si vous rencontrez des problèmes avec des réglages de températures plus élevées, réduisez progressivement ces réglages. La sélection d'une température plus proche de ce qui est actuellement utilisé au robinet augmentera la quantité d'eau chaude délivrée au robinet, du fait de moins de mélange avec de l'eau froide à ce niveau.

	<p>Les températures d'eau au-dessus de 125°F (52 °C) peuvent causer des blessures sérieuses ou un échaudage, pouvant entraîner la mort.</p> <p>De l'eau chaude peut causer des brûlures au premier degré avec une exposition aussi limitée que :</p> <ul style="list-style-type: none"> 3 secondes à 140°F (60 °C) 20 secondes à 130°F (54 °C) 8 secondes à 120°F (49 °C) <p>Ce sont les enfants, les handicapés et les personnes âgées qui courent les plus gros risques d'échaudage.</p> <p>Tâtez l'eau avant de prendre un bain ou une douche.</p>
--	--

- (Priorité)
1. Si le chauffe-eau est arrêté, appuyez sur le bouton Power pour le démarrer.
 2. Si le voyant Priority est éteint, appuyez alors sur le bouton Priority du contrôleur de température. Le voyant Priority vert va s'éclairer pour indiquer que le contrôleur commande la température et que le chauffe-eau est prêt à fournir de l'eau chaude (la priorité ne peut être changée que pendant qu'il ne coule pas d'eau chaude).
 3. Appuyez sur les boutons de montée ou de descente pour obtenir le réglage de consigne de température voulu.
- Toutes les sources d'eau chaude sont à même de fournir de l'eau à cette température jusqu'à un éventuel changement à ce contrôleur de température ou un autre.



Temp. d'eau chaude



AVIS	Pendant que de l'eau chaude est en cours de distribution, le réglage de température ne peut être ajusté qu'entre 98°F et 110°F (36,7-43,3 °C).
-------------	--

AVIS	Vérifiez les normes locales pour le maximum du réglage de température permis en cas d'utilisation dans des maisons de soins, écoles, garderies, et autres applications publiques.
-------------	---

AVIS	Si un appareil nouvellement installé avec un contrôleur n'a pas été activé pendant au moins 6 heures, alors la température reviendra au réglage par défaut de 104°F (40 °C) pour les cas de coupure d'alimentation.
-------------	---

AVIS	Il peut y avoir une variation entre la température affichée au contrôleur de température et celle au robinet, du fait des conditions climatiques ou de la longueur de tuyauterie depuis le chauffe-eau.
-------------	---

Températures disponibles avec un contrôleur


Le chauffe-eau peut fournir de l'eau à un seul niveau de température à la fois. Les températures possibles sont données ci-dessous. Une température inférieure à 98°F (37 °C) peut s'obtenir au robinet en mélangeant avec de l'eau froide.

Pour changer l'échelle des températures et passer de Celsius à Fahrenheit ou vice-versa, appuyez sur le bouton On/Off et maintenez-le enfoncé pendant 5 secondes pendant un arrêt du chauffe-eau.

Réglages de température disponibles (Fahrenheit °F)																
RL75i, RL75e																
RL94i, RLX94i, RL94e	98	100	102	104	106	108	110	115	120	125*	130*	135*	140*	150**	160**	185**
Celsius °C	37	38	39	40	41	42	43	46	49	52	54	57	60	66	71	85

* Des réglages de température de 125-140°F (52-60 °C) sont disponibles en mettant le micro-commutateur 6 sur ON dans le bloc bronze SW1. Ces modèles ont une température maximale par défaut de 120°F (49 °C) et une option (micro-commutateur 6) pour l'augmenter à 140°F (60 °C).


** Ces réglages nécessitent un contrôleur MCC-91-2. Quand le contrôleur MCC-91-2 est connecté, ces températures plus élevées sont disponibles sur tous modèles de contrôleurs sur le système. L'utilisation d'un contrôleur MCC-91-2 dans une habitation résidentielle réduit la couverture de la garantie au niveau de celle d'une application commerciale.

 AVERTISSEMENT	NE modifiez PAS la position des micro-commutateurs sauf si cela vous a été demandé expressément.
--	--

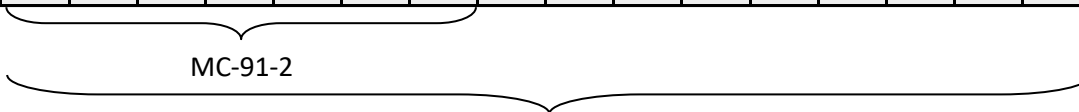
- Ces températures ne sont que des suggestions :
- Cuisine : 120°F (49 °C)
 - Douche : 98 - 110°F (37 - 43 °C)
 - Remplissage de baignoire : 102 - 110°F (39 - 43 °C)

Autres réglages de température

Une plage différente de réglages de température est disponible en mettant les micro-commutateurs DIP N° 2 et 3 du bloc blanc SW2 sur position ON. Le tableau qui suit montre les réglages disponibles avec le contrôleur MC-91-2 et MCC-91-2.

 AVERTISSEMENT	Les contrôleurs MC-91-1, MCC-91-1, MC-100V-1 et BC100-V-1 ne sont pas compatibles avec ces autres réglages de température. Ces autres réglages de température ne concernent que des applications commerciales.
	N'utilisez PAS de contrôleurs MC-91-1, MCC-91-1, MC-100V-1 ou BC-100V-1 quand les micro-commutateurs DIP N° 2 et 3 du bloc blanc SW2 sont sur position ON.

Autres réglages de température disponibles (Fahrenheit °F)																
RL75i, RL75e																
RL94i, RLX94i, RL94e	110	115	120	125	130	135	140	145	150	155	160	165	170	175	180	185
Celsius °C	43	46	49	52	54	57	60	63	66	68	71	74	77	79	82	85



Options de température sans contrôleur de température

Le réglage de température par défaut de cet appareil installé sans contrôleur de température est de 120°F (49 °C). Si on le souhaite ce réglage de température peut être changé pour 140°F (60 °C) en jouant sur un micro-commutateur.

Sur le bloc bronze SW1, passez le micro-commutateur N° 5 sur ON pour avoir 140°F comme consigne. Laissez-le en position OFF par défaut pour avoir un réglage de température d'eau de 120°F. Si un contrôleur de température est ensuite installé, ce micro-commutateur N° 5 n'aura alors plus d'effet sur les réglages de température.

Passage du contrôleur en sourdine

Sur le MC-91-2 pour éliminer les bips sonores émis quand les touches sont activées, appuyez ensemble sur les boutons à flèche vers le haut et vers le bas, et maintenez-les enfoncés jusqu'à l'émission d'un bip (environ 5 secondes).

Verrouillage du contrôleur

Le contrôleur MC-91-2 peut être verrouillé en appuyant ensemble sur le bouton Priority et le bouton flèche vers le haut pendant 5 secondes. Un bip va retentir confirmant que le contrôleur est verrouillé. L'affichage va alternativement montrer "LOC", le réglage de température, plus un code de diagnostic s'il y en a eu un d'activé. Tous les contrôleurs sur le système sont alors également verrouillés.

Pour déverrouiller le contrôleur appuyez ensemble sur le bouton Priority et le bouton flèche vers le bas pendant 5 secondes

Codes de diagnostic

Ce chauffe-eau a été conçu pour afficher des codes de diagnostic. S'il y a un souci de fonctionnement éventuel, référez-vous au code affiché et au remède conseillé en pages suivantes.

Affichage des informations de diagnostic

Pour afficher les informations de code de diagnostic les plus récentes, appuyez sur le bouton On/Off en le maintenant 2 secondes sur le contrôleur MC-91-2. Tout en maintenant ce bouton On/Off enfoncé, actionnez le bouton flèche vers le haut. Les 9 derniers codes de diagnostic vont apparaître brièvement l'un après l'autre. Pour sortir de ce mode appuyez de nouveau de la même façon sur les mêmes boutons.

Pour entrer ou sortir du mode d'informations de surveillance d'entretien, appuyez et maintenez le bouton flèche vers le bas pendant 2 secondes et sans le relâcher actionnez le bouton On/Off.

Pour obtenir la température actuelle de la sortie d'eau chaude, actionnez le bouton flèche vers le haut ou vers le bas jusqu'à l'affichage de "01". Le niveau de flux d'eau apparaît ensuite. Par exemple l'affichage de "58" signifie 5,8 gallons/minute.

Pour obtenir la température actuelle de la sortie d'eau chaude, actionnez le bouton flèche vers le haut ou vers le bas jusqu'à l'affichage de "02". La température va apparaître en degrés Fahrenheit.

N°	Donnée	Unité
01	Niveau de flux d'eau	0,1 gallon/minute
02	Température de sortie de l'eau	Degrés Fahrenheit

Diagnostic Codes and Remedies



AVERTISSEMENT

Certains de contrôles ci-dessous ne doivent être effectués que par un professionnel agréé. Les simples consommateurs ne doivent jamais tenter une intervention qu'ils ne sont pas qualifiés pour effectuer.

Code	Définition		Remède
03	Interruption du secteur durant un remplissage de baignoire (l'eau ne coulera pas au rétablissement du		Fermez tous les robinets d'eau chaude. Appuyez deux fois sur On/Off.
10	Blocage de la fourniture d'air ou de l'échappement		Contrôlez que rien ne bloque l'admission ou la sortie d'air. Contrôlez les bonnes connexions de tous les composants de la ventilation.
		Professionnel agréé uniquement	Assurez-vous que des matériaux de ventilation approuvés ont été utilisés. Assurez-vous que les longueurs de ventilation sont dans les limites. Vérifiez le bon positionnement des micro-commutateurs DIP. Contrôlez l'absence de blocage au ventilateur.
11	Pas d'allumage (le chauffe-eau ne démarre pas)		Contrôlez que l'arrivée de gaz est ouverte sur le chauffe-eau, au compteur ou au réservoir. Si le système carbure au propane, assurez-vous qu'il reste du gaz dans le réservoir. Assurez-vous que l'appareil est bien relié à la terre.
		Professionnel agréé uniquement	Assurez-vous que type et pression de gaz sont corrects. Assurez-vous du bon calibre de conduite, compteur et/ou régulateur de gaz. Purgez tout l'air des conduites de gaz. Vérifiez le bon positionnement des micro-commutateurs DIP. Assurez-vous du bon fonctionnement de l'allumeur. Contrôlez s'il y a des dommages sur le harnais de câblage d'allumeur. Contrôlez les électrovannes de gaz pour d'éventuelles coupures ou des courts-circuits. Enlevez le cache des brûleurs et assurez-vous qu'ils sont tous bien en place. Enlevez la plaque de brûleur et inspectez-les pour de la condensation ou des débris. Contrôlez le fil de terre de la carte de circuit imprimé.
12	Pas de flamme		Contrôlez que l'arrivée de gaz est ouverte sur le chauffe-eau, au compteur ou au réservoir. Contrôlez s'il y a des obstructions dans le flux de fumée. Si le système carbure au propane, assurez-vous qu'il reste du gaz dans le réservoir.
		Professionnel agréé uniquement	Assurez-vous du bon calibre de conduite, compteur et/ou régulateur de gaz. Assurez-vous que type et pression de gaz sont corrects. Purgez tout l'air des conduites de gaz. Assurez-vous que des matériaux de ventilation approuvés ont été utilisés. Assurez-vous que le collier anti-condensation a bien été installé. Assurez-vous que les longueurs de ventilation sont dans les limites. Vérifiez le bon positionnement des micro-commutateurs DIP. Contrôlez l'alimentation pour chercher des connexions desserrées. Contrôlez la bonne tension d'alimentation et d'éventuelles chutes de tension. Assurez-vous que l'électrode de flamme est branchée. Contrôlez l'accumulation de carbone sur l'électrode de flamme. Débranchez et rebranchez tous les harnais de câblage sur chauffe-eau et carte de circuit imprimé. Contrôlez s'il y a des courts-circuits aux composants. Contrôlez les électrovannes de gaz pour d'éventuelles coupures ou des courts-circuits. Enlevez la plaque de brûleur et inspectez-les pour de la condensation ou des débris.
14	Le fusible thermique a déclenché		Contrôlez s'il y a des restrictions de circulation d'air autour de l'appareil et à la terminaison de ventilation.
		Professionnel agréé uniquement	Assurez-vous que le micro-commutateur 5 du deuxième bloc DIP (blanc) est bien en position OFF. Contrôlez le type de gaz pour le chauffe-eau et vérifiez qu'il reçoit le bon. Contrôlez si un faible débit dans un système de circulation cause un cycle trop court. Vérifiez le bon positionnement des micro-commutateurs DIP. Contrôlez s'il y a des matières étrangères dans la chambre de combustion et/ou la tuyauterie d'échappement. Contrôlez l'échangeur thermique pour des craquelures et/ou des séparations. Contrôlez la surface d'échangeur thermique pour des points chauds qui indiquent un blocage par accumulation de calamine. Référez-vous aux instructions du manuel pour le rinçage de l'échangeur thermique. L'eau dure doit être traitée pour éviter une accumulation de tartre ou des dommages à l'échangeur thermique. Mesurez la résistance du circuit de sécurité. Assurez-vous que la pression de gaz à la rampe est bonne à petit feu et à plein feu. Contrôlez s'il y a eu une conversion incorrecte du chauffe-eau.
16	Avertissement de surchauffe (coupure par sécurité car l'appareil est devenu trop chaud)		Contrôlez s'il y a des restrictions de circulation d'air autour de l'appareil et à la terminaison de ventilation.
		Professionnel agréé uniquement	Contrôlez si un faible débit dans un système de circulation cause un cycle trop court. Contrôlez s'il y a des matières étrangères dans la chambre de combustion et/ou la tuyauterie d'échappement. Contrôlez s'il y a un blocage dans l'échangeur thermique.

Code	Définition		Remède
19	Mise à la terre électrique	Professionnel agréé uniquement	Contrôlez tous les composants pour chercher des courts-circuits électriques.
32	Capteur de température de sortie d'eau		Contrôlez si le câblage de capteur est endommagé. Mesurez la résistance du capteur. Nettoyez le capteur en le détartrant. Remplacez le capteur.
33	Capteur de température de sortie d'échangeur thermique		
34	Capteur de température d'air de combustion		Contrôlez s'il y a des restrictions de circulation d'air autour de l'appareil et à la terminaison de ventilation. Contrôlez si le câblage de capteur est endommagé. Mesurez la résistance du capteur. Nettoyez le capteur en le détartrant. Assurez-vous que les pales de ventilateur sont bien serrées sur l'arbre du moteur et en bon état. Remplacez le capteur.
41	Thermistance de température de sortie (modèles d'extérieur uniquement)		Contrôlez si le câblage de capteur est endommagé. Mesurez la résistance du capteur. Nettoyez le capteur en le détartrant. Remplacez le capteur.
51	Thermistance de température d'entrée		
52	Signal d'électrovanne à modulation		Contrôlez le harnais de câblage de l'électrovanne de gaz à modulation pour des bornes desserrées ou endommagées. Mesurez la résistance d'enroulement de l'électrovanne.
61	Ventilateur de combustion		Assurez-vous que le ventilateur tourne librement Contrôlez le harnais de câblage au moteur pour des connexions endommagées et/ou desserrées. Mesurez la résistance de l'enroulement de moteur.
65	Contrôle du flux d'eau		La vanne de contrôle du flux d'eau a échoué à sa fermeture durant la fonction de remplissage de baignoire. Coupez immédiatement l'eau et arrêtez la fonction de remplissage de baignoire. Contactez un professionnel agréé pour dépanner l'appareil.
70	Carte de circuit imprimé		Vérifiez le bon positionnement des micro-commutateurs DIP. Contrôlez le harnais de câblage au raccordement sur la carte. Remplacez la carte de circuit imprimé.
71	Circuit d'électrovanne		Remplacez la carte de circuit imprimé.
72	Dispositif de détection de flamme		Remplacez la carte de circuit imprimé.
79	Fuite d'eau détectée	De l'eau a été détectée au pied du chauffe-eau. Coupez l'arrivée de l'eau. Contrôlez toute la plomberie interne pour déceler la fuite.	
LC # (LC0, LC1, LC2,...)	Entartrage dans l'échangeur thermique (en vérifiant l'historique de codes d'entretien, "00" est substitué pour "LC")		LC0~LC9 indique qu'il y a un entartrage dans l'échangeur thermique et qu'il a besoin d'être rincé pour éviter des dommages. Référez-vous aux instructions de rinçage dans ce manuel. L'eau dure doit être traitée pour éviter une accumulation de tartre ou des dommages à l'échangeur thermique. Pour faire fonctionner temporairement le chauffe-eau avant le rinçage de l'échangeur thermique, vous appuyez 5 fois sur le bouton On/Off du contrôleur de température. Des codes LC à répétition vont éventuellement verrouiller le chauffe-eau. Veuillez appeler le service technique chez Rinnai.
FF	Un entretien a été effectué		Indique d'un professionnel agréé a effectué une intervention ou corrigé un problème.
Pas de code	Rien ne se passe quand le flux d'eau est activé.		Nettoyez le filtre d'arrivée d'eau. Sur de nouvelles installations, assurez-vous que les conduites d'eau froide et d'eau chaude ne sont pas inversées. Vérifiez que vous avez au moins le minimum de niveau d'écoulement requis pour démarrer le chauffe-eau.
		Professionnel agréé uniquement	Contrôlez s'il y a un croisement du froid dans le chaud. Isolez le système de circulation si c'est le cas. Coupez l'eau froide vers le chauffe-eau, ouvrez la soupape de décharge. Si de l'eau continue de couler, il y a un déversement dans votre plomberie. Vérifiez que la turbine tourne librement. Mesurez la résistance du capteur de contrôle du flux d'eau. Si l'affichage est vide et que du cliquètement vient de l'appareil, débranchez le servomoteur de flux d'eau (GY, BR, O, W, P, BL, R). Si aucun affichage n'apparaît, remplacez le servomoteur de flux d'eau.

Entretien nécessaire

L'appareil doit être inspecté annuellement par un professionnel agréé. Installation et interventions de service doivent être effectuées par un professionnel agréé. Ce professionnel agréé doit vérifier le bon fonctionnement après une intervention.



AVERTISSEMENT

Pour vous protéger de toute atteinte, avant d'effectuer une intervention d'entretien :

- Coupez l'alimentation électrique en débranchant la fiche du cordon secteur ou en coupant le secteur au disjoncteur du circuit. (Le contrôleur de température ne commande pas l'alimentation électrique).
- Coupez l'arrivée du gaz à la vanne manuelle, en général elle est placée immédiatement sous le chauffe-eau.
- Coupez l'arrivée d'alimentation en eau. Cela peut se faire à la vanne d'isolement immédiatement sous le chauffe-eau, ou en coupant la distribution d'eau du bâtiment.



AVERTISSEMENT

Gardez la zone autour de l'appareil dégagée et exempte de matières combustibles, d'essence et d'autres vapeurs ou liquides inflammables.

Les points d'entretien qui suivent sont nécessaires pour la bonne marche de votre chauffe-eau.

L'appareil doit être inspecté annuellement par un professionnel agréé. Installation et interventions de service doivent être effectuées par un professionnel agréé. Ce professionnel agréé doit vérifier le bon fonctionnement après une intervention.

Nettoyage

Il est impératif que les compartiments de contrôle, les brûleurs et les passages de circulation de l'air de l'appareil soient gardés propres.

Nettoyez comme ceci :

1. Arrêtez le chauffe-eau et débranchez son alimentation secteur. Laissez-le refroidir.
2. Fermez les vannes de coupure d'eau. Enlevez et nettoyez le filtre d'arrivée d'eau.
3. Enlevez le panneau frontal en ôtant 4 vis.
4. Utilisez de l'air comprimé pour dépeussier le brûleur principal, l'échangeur thermique et les pales de ventilateur. N'utilisez pas de chiffon humide ni de nettoyeurs à pulvériser sur le brûleur. N'utilisez pas de substances volatiles comme du benzène ou d'autres diluants. Ils pourraient s'enflammer ou ternir la peinture.
5. Utilisez un chiffon doux pour essuyer le coffret du chauffe-eau.

Système de ventilation

Le système de ventilation et le collecteur de condensats (situé en haut du chauffe-eau) sont à inspecter au moins annuellement pour d'éventuels blocages ou dommages. Si la ventilation et/ou le collecteur de condensats sont bloqués, contactez un professionnel agréé.

Moteurs

Les moteurs sont lubrifiés de façon permanente et ne nécessitent pas de lubrification périodique. Cependant, vous devez conserver le ventilateur et le moteur exempts de poussière et salissures en les nettoyant tous les ans.

Contrôleur de température

Utilisez un chiffon doux humide pour nettoyer le contrôleur de température. N'utilisez pas de solvants.

Accumulation de calcaire/tartre

Si vous recevez un code de diagnostic "LC#" (LC1, LC2,...), référez-vous à la procédure de *Rinçage de l'échangeur thermique*. Référez-vous à la section *Qualité de l'eau* pour voir si votre eau a besoin d'être traitée ou conditionnée (en vérifiant l'historique de codes d'entretien, "00" est substitué pour "LC").

L'eau doit être potable, exempte de produits chimiques corrosifs, de sable, salissures ou autres contaminants. Il est de la responsabilité de l'installateur de s'assurer que l'eau ne contient pas de produits chimiques corrosifs ou d'éléments qui pourraient affecter ou endommager le chauffe-eau. Une eau qui contient des produits chimiques dépassant les seuils montrés dans ce tableau affecte et endommage l'échangeur thermique. Un remplacement de chauffe-eau résultant d'une mauvaise qualité d'eau n'est pas couvert par la garantie.

Accumulation de neige

Gardez la zone autour de la terminaison d'évacuation des gaz de combustion exempte de neige et de glace. L'appareil ne fonctionnera pas correctement si l'admission d'air ou l'échappement sont empêchés (bloqués totalement ou partiellement) par des obstructions.

Installations côtières

Des installations situées dans des zones côtières ou à proximité nécessitent plus d'entretien du fait de la teneur en sel marin corrosif de l'atmosphère.

Nettoyage du filtre à eau

Nettoyez le filtre d'entrée d'eau en fermant les vannes d'isolement (coupure) de l'eau chaude et froide. Placez un

seau sous le filtre en bas du chauffe-eau pour capter toute l'eau qui était contenue dans le chauffe-eau. Dévissez le filtre à eau. Rincez le filtre pour éliminer tous les débris. Remettez le filtre en place et rouvrez les vannes d'isolement.

AVERTISSEMENT

Le test de soupapes de décharge ne doit être fait que par un professionnel agréé. L'eau crachée par la soupape de décharge peut causer instantanément des brûlures graves et de l'échaudage pouvant être mortels.

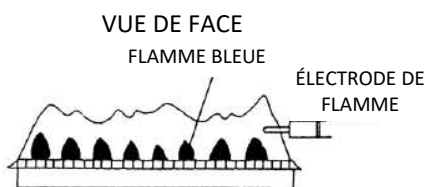
Soupape de décharge

Faites fonctionner la soupape manuellement une fois par an. Pour cela, il est nécessaire de prendre des précautions contre la sortie d'eau sous pression pouvant potentiellement vous ébouillanter. Assurez-vous que l'eau évacuée à un endroit où s'écouler sans danger. Un contact avec votre corps ou des objets proches peut causer une blessure ou des dégâts.

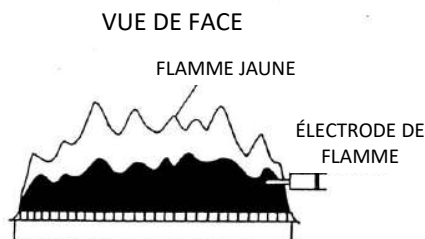
Inspection visuelle de la flamme

Vérifiez le bon fonctionnement après une intervention. Le brûleur doit produire une flamme régulière sur toute sa surface quand tout fonctionne correctement. La combustion doit produire une flamme claire, bleue et stable. Consultez la vue éclatée des pièces de brûleur pour l'emplacement des ports d'observation. La forme de flamme doit ressembler à ce qui est illustré ci-dessous.

SATISFAISANTE



INSATISFAISANTE



Protection contre le gel

Assurez-vous que, par temps très froid, le chauffe-eau et ses conduites d'eau sont protégées efficacement pour éviter le gel. Les dommages dus au gel ne sont pas couverts par la garantie. Référez-vous à la section sur la protection contre le gel. L'appareil peut être vidangé manuellement. Cependant, il est fortement recommandé que :

- Des électrovannes de vidange soient achetées et installées pour vider automatiquement le chauffe-eau en cas de coupure d'alimentation secteur. Elles sont proposées dans un kit, N° de pièce 104000059 (Le bouchon de drainage du piège à condensats et le bouchon de drainage d'eau ne sont pas affectés par les électrovannes de purge, et devront être ouverts manuellement).
- Un parasurtenseur avec prises soit acheté et installé de façon à permettre aux électrovannes de fonctionner si le chauffe-eau est désactivé du fait d'un code de diagnostic. Il est disponible sous le N° 104000057.

Préparation pour l'hiver

Ces recommandations ont pour but de suggérer des pratiques qui sont efficaces pour protéger le chauffe-eau. Elles ne servent que pour vous guider. Aucune responsabilité n'est assumée en cas de problèmes résultant de l'utilisation de ces informations.

GAZ

Coupez l'arrivée de gaz au chauffe-eau. Il est généralement préférable de couper la fourniture de gaz à tout le site si du gaz ne doit plus être utilisé.

EAU

Coupez l'arrivée d'eau froide au chauffe-eau. Il est généralement préférable de couper la fourniture d'eau à tout le site si de l'eau ne doit plus être utilisée.

Vidangez le chauffe-eau en ouvrant les vannes de drainage sur la conduite d'eau froide et la conduite d'eau chaude.

Ouvrez plusieurs robinets d'eau chaude et enlevez l'ensemble de filtre à l'entrée de l'eau de façon à laisser du volume pour une expansion si de l'eau des conduites gélait. De l'air comprimé peut être utilisé pour purger le système de toute l'eau restante.

ÉLECTRICITÉ

Débranchez l'alimentation secteur soit en débranchant la fiche du cordon soit en coupant au disjoncteur desservant le chauffe-eau, afin d'éviter de potentiels dommages en cas de surtensions ou interruptions intempestives du secteur.

TERMINAISON DE VENTILATION

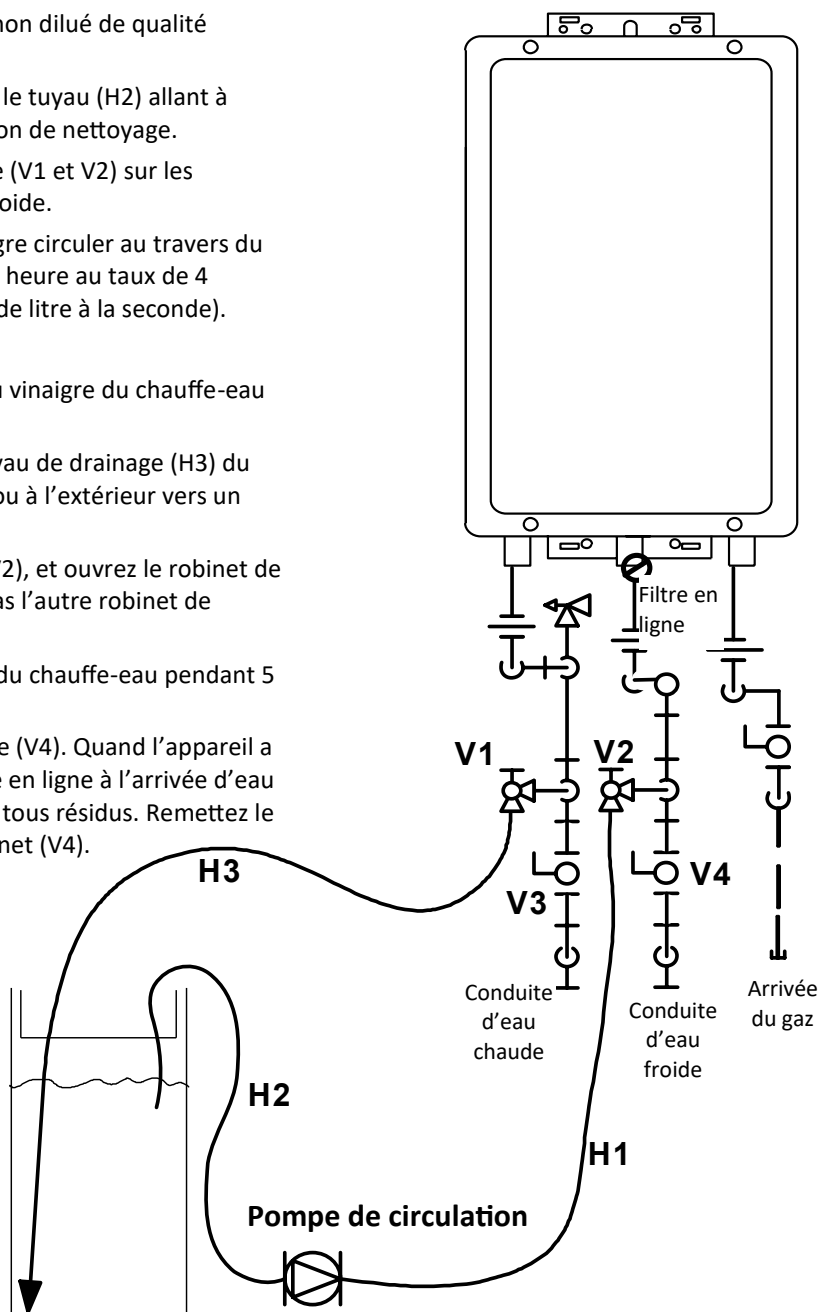
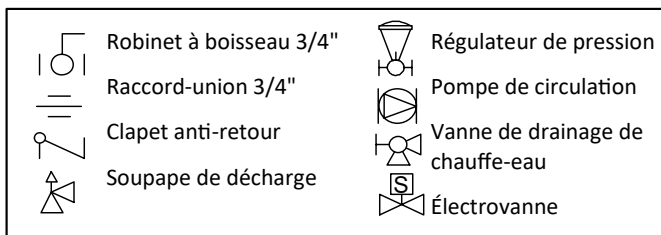
Placez un couvercle sur la terminaison de ventilation (admission et échappement) si vous pouvez y accéder sans danger. Ce couvercle doit pouvoir s'appliquer et s'enlever facilement. Cela évitera que des débris, des feuilles et de petits animaux n'entrent dans la ventilation et le chauffe-eau, ce qui pourrait causer des problèmes au niveau du flux d'air à la remise en marche du système.

Rinçage de l'échangeur thermique

Un code de diagnostic LC0~LC9 ou "00" indique que le chauffe-eau commence à s'entartrer et doit être rincé. Ne pas le faire endommagerait son échangeur thermique. Des dommages causés par une accumulation de tartre ne sont pas couverts par la garantie de l'appareil. Rinnai recommande fortement l'installation de vannes d'isolement pour permettre un rinçage de l'échangeur thermique.

1. Débranchez l'alimentation électrique du chauffe-eau
2. Fermez les vannes de coupure sur les conduites d'eau chaude et d'eau froide sur les conduites d'eau chaude et d'eau froide (V3 et V4).
3. Branchez le tuyau de sortie de pompe (H1) sur la conduite d'eau froide au niveau du robinet de service (V2).
4. Branchez un tuyau de drainage (H3) sur le robinet de service (V1).
5. Versez 4 gallons de vinaigre blanc non dilué de qualité alimentaire dans un seau.
6. Placez le tuyau de drainage (H3) et le tuyau (H2) allant à l'entrée de la pompe dans la solution de nettoyage.
7. Ouvrez les deux robinets de service (V1 et V2) sur les conduites d'eau chaude et d'eau froide.
8. Activez la pompe et laissez le vinaigre circuler au travers du chauffe-eau pendant au moins une heure au taux de 4 gallons par minute (soit un quart de litre à la seconde).
9. Arrêtez la pompe.
10. Chassez la solution de nettoyage au vinaigre du chauffe-eau comme suit :
 - a. Enlevez l'extrémité libre du tuyau de drainage (H3) du seau. Mettez-le dans un évier ou à l'extérieur vers un drain.
 - b. Fermez le robinet de service (V2), et ouvrez le robinet de coupure (V4). Mais n'ouvrez pas l'autre robinet de coupure (V3).
 - c. Laissez l'eau couler au travers du chauffe-eau pendant 5 minutes.
 - d. Refermez le robinet de coupure (V4). Quand l'appareil a fini de se vider, enlevez le filtre en ligne à l'arrivée d'eau froide et nettoyez-le pour ôter tous résidus. Remettez le filtre en place et ouvrez le robinet (V4).
 - e. Fermez le robinet de service (V1), et ouvrez le robinet de coupure (V3).
11. Enlevez tous les tuyaux.
12. Rebranchez l'alimentation électrique du chauffe-eau

LÉGENDE



Suite à la procédure de rinçage, appelez l'assistance technique (1-800-621-9419) pour des informations sur la restauration de la carte de circuit imprimé.

Vidange manuelle du chauffe-eau



AVERTISSEMENT

Pour éviter des brûlures, attendez que l'équipement ait refroidi avant de vidanger l'eau. L'eau restera longtemps chaude dans l'appareil après son arrêt.

Si le chauffe-eau ne doit pas être utilisé durant une période où il pourrait geler, il est recommandé que l'eau à l'intérieur soit vidangée.

Pour vidanger manuellement le chauffe-eau :

Coupez les alimentations en eau froide et en gaz

Coupez le contrôleur de température.

Débranchez l'alimentation électrique du chauffe-eau.

Positionnez un récipient pour récupérer l'eau. Enlevez les capuchons de drainage sur les deux vannes d'isolement et ouvrez les deux vannes au-dessus des capuchons (poignées de vanne bleue et rouge). -OU- Ouvrez le bouchon de drainage d'eau chaude à la sortie de l'eau chaude.

Enlevez le filtre d'entrée d'eau pour drainer l'eau froide. De l'air comprimé peut être utilisé pour purger le système de toute l'eau restante.

Pour reprendre un fonctionnement normal :

Confirmez que tous les bouchons de vidange sont ôtés, que l'arrivée de gaz est coupée, et que tous les robinets sont fermés.

Vissez le filtre à eau dans l'entrée pour eau froide.

Remplacez les capuchons de drainage et fermez les deux vannes d'isolement. -OU- Revissez le bouchons de drainage de l'eau.

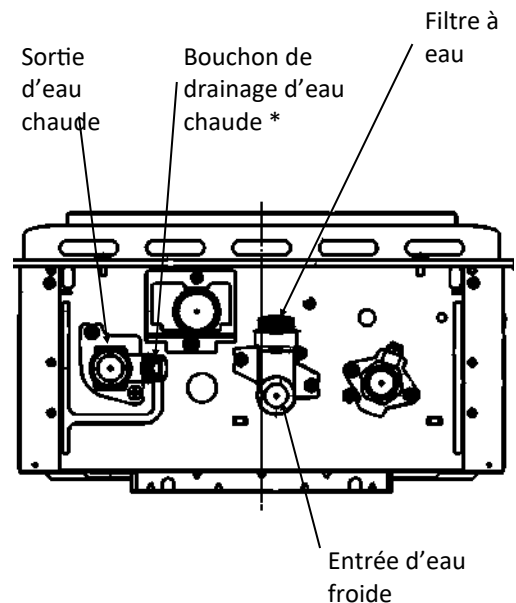
Ouvrez l'alimentation en eau froide.

Ouvrez un robinet et confirmez qu'il en sort de l'eau, puis refermez-le.

Rétablissez l'alimentation électrique.

Après la confirmation que le contrôleur de température est désactivé, ouvrez l'alimentation en gaz.

Activez le contrôleur de température.



* Utilisez une clé ou un autre outil pour dévisser le bouchon de drainage d'eau chaude.

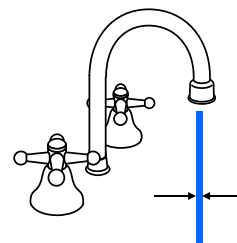
Écoulement à faible volume d'eau au travers du chauffe-eau pour éviter le gel

Si l'abaissement de température ambiante va plus loin que la capacité d'autoprotection du chauffe-eau contre le gel, ou s'il y a une coupure du secteur, les étapes qui suivent peuvent empêcher que le chauffe-eau et les conduites extérieures ne gèlent : (Des appareils reliés avec EZ Connect (lien entre deux chauffe-eau) doivent être vidangés pour éviter leur gel s'ils ne sont pas en utilisation.)

Passez le chauffe-eau à l'arrêt.

Fermez la vanne d'arrivée du gaz.

Ouvrez un robinet d'eau chaude afin de faire couler environ 0,1 gallon par minute, ou laissez sortir un flot d'environ 5 mm d'épaisseur.



0,1 gallon par minute ou environ 5 mm d'épaisseur

Si le chauffe-eau ou de la tuyauterie extérieur ont gelé

Ne faites pas fonctionner le chauffe-eau si lui-même ou une conduite extérieure a gelé.

Fermez les vannes de gaz et d'eau et coupez l'alimentation électrique.

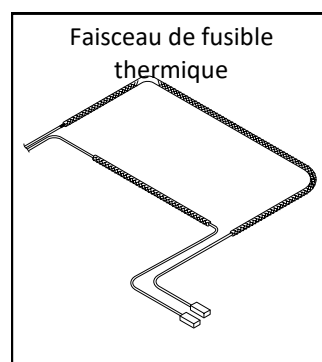
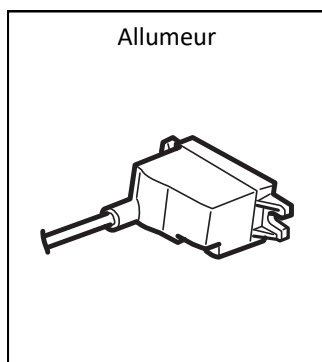
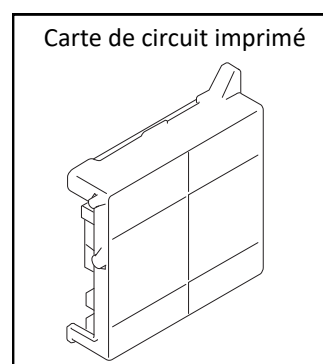
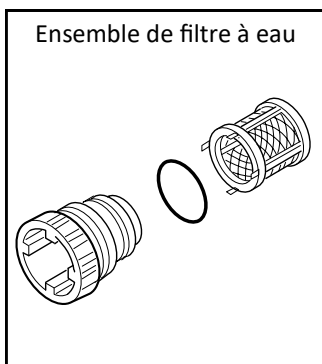
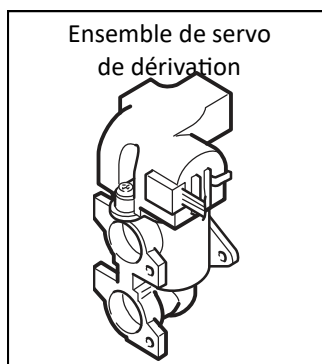
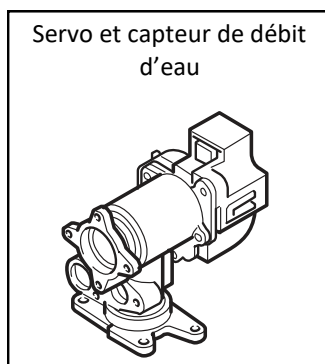
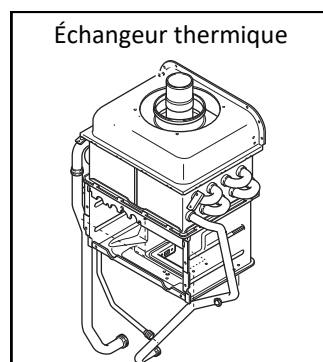
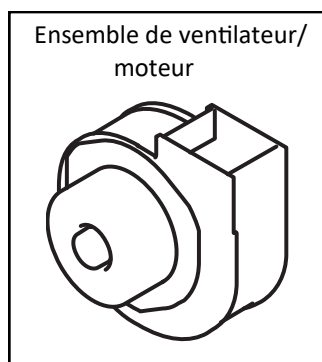
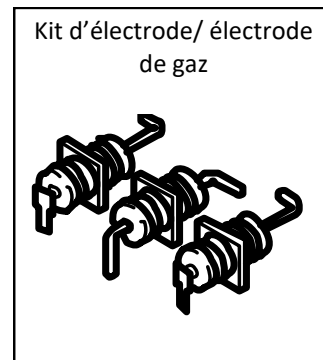
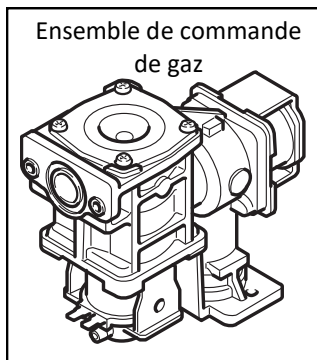
Attendez que l'eau se dégèle. Contrôlez-le en ouvrant la vanne d'alimentation en eau.

Cherchez des fuites au niveau du chauffe-eau et des conduites.

Pièces de rechange

La fiche technique, qui est située sur la face intérieure du couvercle avant du chauffe-eau, contient une liste complète illustrée des pièces.

	N° d'article de la fiche technique
Ensemble de commande de gaz	100
Kit d'électrode/ électrode de gaz	116, 117
Ensemble de ventilateur/ moteur	125
Échangeur thermique	143
Servo et capteur de débit d'eau	401
Ensemble de servo de dérivation	403
Ensemble de filtre à eau	412
Carte de circuit imprimé	700
Allumeur	706
Faisceau de fusible thermique	725



Garantie pour les RL75, RL94, RLX94i de Série Luxury

Ce qui est couvert.

La garantie limitée standard de Rinnai couvre les vices de matière et de fabrication quand le produit est installé et utilisé conformément aux directives d'installation écrites de Rinnai, sous réserve des conditions exprimées dans le présent document sur la garantie limitée. La présente garantie limitée ne s'applique qu'aux produits installés correctement au Canada et aux États-Unis. Une mauvaise installation peut rendre la garantie nulle et sans effet. On recommande fortement que vous utilisiez un professionnel qualifié qui a suivi la formation d'installation de Rinnai pour faire cette installation. La présente couverture de garantie s'applique uniquement aux installations résidentielles et non aux applications commerciales (toute installation autre que dans une habitation unifamiliale). La couverture de garantie limitée établie dans le tableau suivant est accordée à l'acheteur d'origine et aux propriétaires subséquents, mais uniquement si le produit reste sur les lieux d'installation originaux. La présente garantie limitée ne s'applique qu'à la première installation (originale) du produit et échoit si le produit est déplacé ou réinstallé à un nouvel endroit.

Durée de la couverture sous garantie

Article	Période de couverture (à partir de la date d'achat)		
	Applications résidentielles	Utilisation résidentielles mixtes de fourniture d'eau chaude/chauffage d'espace	Applications commerciales
Échangeur thermique	12 ans [1] [2]	10 ans [1] [2]	5 ans [1]
Autres pièces et composants	5 ans [1]	5 ans [1]	5 ans [1]
Main-d'œuvre raisonnable	1 an [3]	1 an [3]	1 an [3]

- [1] La période de couverture est ramenée à 3 ans à compter de la date d'achat en cas d'utilisation comme chauffe-eau à recirculation dans une boucle d'eau chaude, où le chauffe-eau est en série avec un système de recirculation avec toute l'eau en recirculation passant par ce chauffe-eau, et un système de recirculation à la demande n'est pas incorporé.
Une recirculation à la demande est définie comme une boucle ou un système de recirculation de l'eau chaude qui utilise les conduites chaude et froide existantes ou une conduite de reprise dédiée, et qui ne s'active que quand de l'eau chaude est consommée. Son activation peut se faire par un bouton-poussoir, un détecteur de mouvement ou vocalement, mais pas par un capteur de température. Si une minuterie est ajoutée à une pompe de recirculation standard, ce n'est plus considéré comme une recirculation à la demande.
- [2] La période de couverture est réduite à 5 ans à compter de la date d'achat si le réglage du point de consigne de température du chauffe-eau Rinnai dépasse 160°F (71 °C).
- [3] La couverture pour la main-d'œuvre est étendue à 5 ans pour des applications résidentielles et à 2 ans pour des applications commerciales si le produit a été enregistré dans les 30 jours (Cet enregistrement n'est pas exigé pour la Californie et le Québec), et/ou si les autres conditions mentionnées précédemment pour ces deux types d'applications sont satisfaites.

REMARQUE : Le contrôleur intégré dans les modèles d'intérieur bénéficie d'une garantie de 1 an sur les pièces.

Ce que fera Rinnai

Rinnai réparera ou remplacera le produit ou toute pièce ou composante sous garantie qui affiche un vice de matière ou de fabrication pendant la période établie dans le tableau. Rinnai couvrira les frais de main-d'œuvre raisonnables associés à la réparation ou au remplacement desdites pièces ou composantes pendant la période de garantie pour la main-d'œuvre. Toutes les réparations doivent être faites avec des pièces Rinnai d'origine. Toutes les réparations ou tous les remplacements doivent être effectués par un professionnel licencié qui a reçu une formation appropriée pour ce type de réparation.

Le remplacement du produit ne peut être autorisé que par Rinnai, à sa discrétion seule. Rinnai n'autorise aucune personne ou compagnie à assumer une telle obligation ou responsabilité concernant le remplacement du produit. Si Rinnai détermine qu'il est impossible de réparer le produit, Rinnai pourra remplacer le produit par un autre produit comparable, à la discrétion de Rinnai seule. La réclamation pour les pièces et la main-d'œuvre du produit sous garantie peut être refusée si une composante ou un produit retourné à Rinnai ne comporte aucun vice de matière ou de fabrication, ou a été endommagé suite à une mauvaise installation, utilisation ou opération, ou en cours de transport.

Comment obtenir un service

Vous devez contacter un professionnel qualifié et formé pour la réparation d'un produit sous garantie limitée. Pour obtenir le nom d'un professionnel qualifié et formé, contactez votre revendeur, consultez le site Web de Rinnai (www.rinnai.us), téléphonez à Rinnai (1 800 621-9419) ou écrivez à Rinnai, 103 International Drive, Peachtree City, Georgia 30269.

Une preuve d'achat est exigée pour un service au titre de la garantie. Vous devez présenter un bon d'achat daté ou *enregistrer le produit dans les 30 jours suivant sa date d'achat*. Pour enregistrer le chauffe-eau sans réservoir Rinnai, rendez-vous sur www.rinnai.us. Si vous n'avez pas d'accès Internet, composez le 1 866 RINNAI1 (746-6241). Le reçu d'enregistrement par Rinnai servira de preuve d'achat du produit. L'enregistrement d'un produit installé dans une nouvelle construction doit être vérifiée par une copie des documents de clôture fournissant le nom de l'acheteur initial. L'enregistrement n'est toutefois pas nécessaire pour valider la présente garantie limitée.

Ce qui n'est pas couvert.

Cette garantie limitée ne couvre pas les pannes ou les problèmes de service pour les causes suivantes :

- Accident, usage abusif, mauvaise utilisation
- Modification du produit ou d'une de ses composantes
- Mauvaise application du produit
- Mauvaise installation, comme (mais non de façon limitative) :
 - ◇ produit installé dans un milieu corrosif
 - ◇ dommages par le condensat
 - ◇ mauvaise ventilation
 - ◇ mauvais type de gaz
 - ◇ mauvaise pression de gaz ou d'eau
 - ◇ absence d'un bac de drainage sous l'appareil
- Mauvais entretien comme (mais non de façon limitative) : entartrage, gel ou blocage de l'évacuation
- Mauvais dimensionnement
- Toute cause autre qu'un vice de matière ou de fabrication
- Dommages ou problèmes émanant d'un incendie, d'une inondation, d'une surtension, d'un gel ou de cas fortuits
- Dommages causés par une eau de piètre qualité
- Utilisation du chauffe-eau avec une eau autre que potable, en tout temps
- Cas de force majeure

Il n'y a aucune couverture de garantie pour un produit installé dans une application en boucle fermée, communément associée aux applications de chauffage de pièce uniquement.

La présente garantie limitée ne s'applique pas à un produit dont le numéro de série ou la date de manufacture ont été oblitérés.

La présente garantie limitée ne s'applique pas à un produit utilisé dans une application qui fait appel à une eau traitée chimiquement, comme un chauffe-eau de piscine ou de spa.

Limites de la garantie

Personne n'est autorisé à offrir une autre garantie au nom de la Rinnai America Corporation. Sauf tel qu'expressément prévu dans la présente, il n'existe aucune autre garantie que ce soit, expresse ou implicite, y compris, mais non de façon limitative, la garantie de bonne vente ou d'aptitude à accomplir une tâche particulière, qui s'étend au-delà de la description de garantie dans la présente.

Toute garantie implicite de bonne vente ou d'aptitude à accomplir une tâche particulière prévue dans une loi provinciale sera limitée à la durée de la présente garantie limitée à moins que la période prévue par la loi provinciale soit moindre. Certaines provinces ne permettent pas de limite de durée des garanties limitées implicites; il se peut donc que les présentes limites ne s'appliquent pas dans votre cas.

Rinnai ne peut être tenue responsable des dommages-intérêts indirects, accidentels, spéciaux, fortuits ou autres qui pourraient survenir, y compris la perte de profit, les dommages à la personne ou à la propriété, la perte d'utilisation, les inconvénients, ou la responsabilité émanant d'une mauvaise installation, d'un mauvais service ou d'une mauvaise utilisation. Certaines provinces ne permettent pas l'exclusion ou la limite des dommages-intérêts indirects ou fortuits; il se peut donc que les présentes limites ne s'appliquent pas dans votre cas.

La présente garantie limitée vous accorde des droits particuliers et vous pourriez avoir d'autres droits qui varient d'une province à l'autre.

www.rinnai.us/warranty

EXTENSION DE LA COUVERTURE EN MAIN-D'ŒUVRE AVEC VOTRE GARANTIE LIMITÉE*

RL75, RL94, RLX94i de Série Luxury ENREGISTREMENT NÉCESSAIRE*

Rinnai offre l'opportunité d'étendre votre garantie limitée standard, pour la main-d'œuvre uniquement, sur les modèles RL75, RL94 et RLX94i de sa Série Luxury, si vous enregistrez votre chauffe-eau dans les 30 jours qui suivent son achat. Cette garantie limitée s'applique uniquement aux produits installés aux États-Unis et au Canada. Une mauvaise installation peut annuler cette garantie limitée. Il est recommandé qu'un professionnel formé et qualifié qui a assisté à une classe de formation d'installation de Rinnai complète votre installation. Les produits non enregistrés resteront couverts par la garantie limitée standard de Rinnai telle que décrite dans le manuel d'installation et d'utilisation qui accompagne le produit. Des informations sur la garantie sont également disponibles sur le site Web de Rinnai, www.rinnai.us.

APPLICATIONS RÉSIDENTIELLES :

La période de garantie limitée pour la couverture en main-d'œuvre des modèles de chauffe-eau sans réservoir RL75, RL94 et RLX94i, installés dans une application résidentielle, est prolongée d'une durée additionnelle de 48 mois (soit un total de couverture des frais de main-d'œuvre de 60 mois à compter de la date d'achat) si le produit est enregistré dans les 30 jours suivant son achat, à l'adresse www.rinnai.us/product-registration, ou en appelant le 1-866-RINNAI-1 (746-6241), sauf pour la Californie et le Québec où cet enregistrement n'est pas obligatoire.

CONDITIONS SUPPLÉMENTAIRES POUR L'EXTENSION DE LA COUVERTURE EN MAIN-D'ŒUVRE DANS LE CADRE DE LA GARANTIE LIMITÉE (Applications résidentielles ou domestiques) :

1. La couverture de la main-d'œuvre ne s'étend pas pour un chauffe-eau sans réservoir RL75, RL94 ou RLX94i s'il est utilisé pour du chauffage de structure ou dans une boucle fermée.
2. Si le produit est installé dans un système à recirculation, ce dernier doit être commandé par un système à la demande, sinon l'extension de garantie n'a pas lieu.

APPLICATIONS COMMERCIALES :

La période de garantie limitée pour la couverture en main-d'œuvre des modèles de chauffe-eau sans réservoir RL75, RL94 et RLX94i, installés dans une application commerciale pour eau chaude, est prolongée d'une durée additionnelle de 12 mois (soit un total de couverture des frais de main-d'œuvre de 24 mois à compter de la date d'achat) si le produit est enregistré dans les 30 jours suivant son achat, à l'adresse www.rinnai.us/product-registration, ou en appelant le 1-866-RINNAI-1 (746-6241), sauf pour la Californie et le Québec où cet enregistrement n'est pas obligatoire.

CONDITIONS SUPPLÉMENTAIRES POUR L'EXTENSION DE LA COUVERTURE EN MAIN-D'ŒUVRE DANS LE CADRE DE LA GARANTIE LIMITÉE (Applications résidentielles ou domestiques) :

1. La couverture de la main-d'œuvre ne s'étend pas pour un chauffe-eau sans réservoir RL75, RL94 ou RLX94i s'il est utilisé pour du chauffage de structure ou dans une boucle fermée.
2. Si le produit est installé dans un système à recirculation, ce dernier doit être commandé par un système à la demande, sinon l'extension de garantie n'a pas lieu.

* **Applicable uniquement si le produit est enregistré dans les 30 jours suivant son achat, et quand les autres conditions sont satisfaites. Notez que les résidents en Californie et en Floride, et ceux d'autres juridictions interdisant aussi des avantages de garantie conditionnés par un enregistrement, cet enregistrement n'est pas obligatoire pour obtenir des périodes de garantie plus longues, et le fait de ne pas enregistrer le chauffe-eau ne diminuera pas vos droits au titre de la garantie. www.rinnai.us/warranty**



Learn more about Rinnai high-performance Tankless Water Heaters, Hybrid Water Heating Systems, Boilers, Vent-Free Fan Convectors and EnergySaver® Direct Vent Wall Furnaces at:

rinnai.us | rinnai.ca

Rinnai®

Rinnai America Corporation • 103 International Drive, Peachtree City, GA 30269
1-800-621-9419 • rinnai.us

©2019 Rinnai America Corporation. Rinnai America Corporation continually updates materials, and as such, content is subject to change without notice.

Local, state, provincial, federal and national fuel gas codes must be adhered to prior to and upon installation.

U307-0710X04(02)
10000244(12)
8/2019