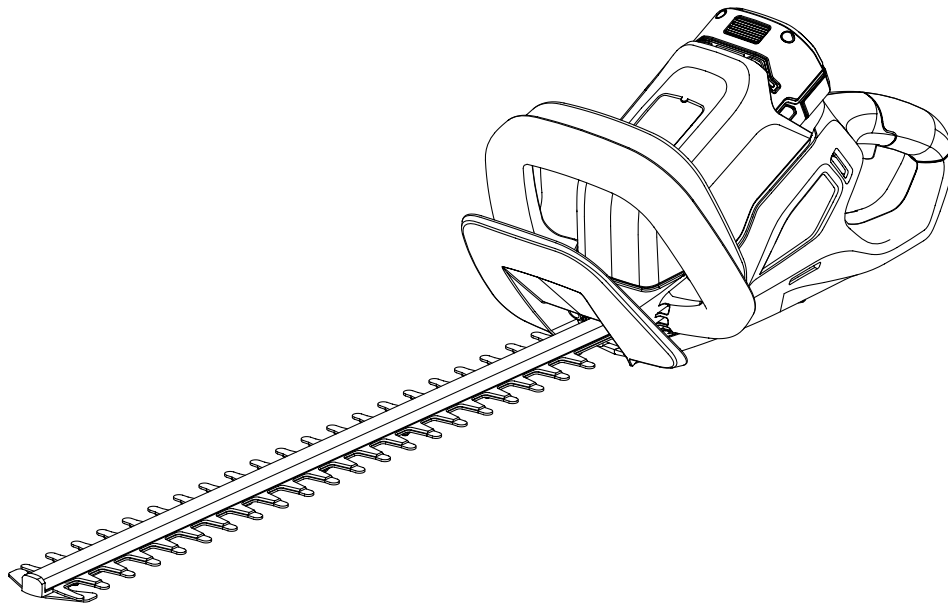




58V MAX LITHIUM ION HEDGE TRIMMER

Operator's manual
Model: HTX5-M



For customer support, please call 1-800-261-3981 or send email to:

support@senixtools.com

SAVE THIS MANUAL FOR FUTURE REFERENCE.

TABLE OF CONTENTS

TECHNICAL DATA.....1
 WORK AREA SAFETY.....2
 ELECTRICAL SAFETY2
 PERSONAL SAFETY2
 SPECIFIC RULES FOR HEDGE TRIMMERS.....3
COMPONENT LOCATION
 KNOW YOUR HEDGE TRIMMER.....4
 OPERATION.....5
 ATTACH /REMOVE THE BATTERY5
 PREPARING THE HEDGE TRIMMER5
 STARTING THE HEDGE TRIMMER5
 TRIMMING HEDGES5
MAINTENANCE
 CLEANING THE HEDGE TRIMMER.....6
 CARBON BRUSHES6
 LUBRICATION.....6
 SHARPENING THE BLADES.....6
 STORAGE AND TRANSPORTATION6
PARTS
 EXPLODED VIEW7
WARRANTY
 LIMITED TWO-YEAR WARRANTY9

TECHNICAL DATA

Model Number:	HTX5-M
Motor:	40V Motor
Speed:	2800 SPM
Cutting Capacity:	2/3 in.
Weight (w/ Battery):	8.2 lbs
Product Dimensions:	38 x 8.5 x 8.5 in.
Battery/Charger:	B25X5/CHX5
Battery:	58V Max Lithium Ion, 2.5 Ah

SAFETY

SAFETY

Safety is a combination of common sense, staying alert and knowing how your item works. **SAVE THESE SAFETY INSTRUCTIONS.**

⚠ WARNING — To reduce the risk of injury, user must read and understand operator's manual.

⚠ WARNING — To avoid mistakes and serious injury, do not use this tool until the following steps have been read and understood.

1. **READ** and become familiar with this entire instruction manual. **LEARN** the tool's applications, limitations, and possible hazards.
2. **AVOID DANGEROUS CONDITIONS.** Do not use in wet or damp areas or expose them to rain. Keep work areas well lit.
3. **DO NOT** use in the presence of flammable liquids or gases.
4. **DO NOT** direct the tool at any bystanders.
5. **KEEP BYSTANDERS AT A SAFE DISTANCE** from the work area, especially when the tool is operating. **NEVER** allow children or pets near the tool.
6. **DO NOT FORCE THE TOOL** to do a job for which it was not designed.
7. **DRESS FOR SAFETY.** Do not wear loose clothing, gloves, neckties, or jewelry (rings, watches, etc.) when operating the tool. Inappropriate clothing and items can get caught in moving parts and draw you in. **ALWAYS** wear non-slip footwear and tie back long hair.
8. **WEAR A FACE MASK OR DUST MASK** if working in dusty or dirty conditions.
9. **ALWAYS** remove the battery from the tool when making adjustments, changing parts, cleaning, or working on the tool.
10. **AVOID ACCIDENTAL START-UPS.** Make sure the power switch is in the OFF position before inserting the battery.
11. **REMOVE ADJUSTMENT TOOLS.** Always make sure all adjustment tools are removed from the tool before turning it on.
12. **NEVER LEAVE A RUNNING TOOL UNATTENDED.** Turn the power switch OFF. Do not leave the tool until it has come to a complete stop.
13. **NEVER STAND ON A TOOL.** Serious injury could result if the tool tips or is accidentally hit. **DO NOT** store anything above or near the tool.
14. **DO NOT OVERREACH.** Keep proper footing and balance at all times. Wear oil-resistant rubber-soled footwear. Keep the floor clear of oil, scrap, and other debris.
15. **WEAR NECESSARY** hand and hearing protection. Wear no-slip heavy duty work gloves and hearing protection to prevent injury.
16. **MAINTAIN TOOLS PROPERLY.** **ALWAYS** keep tools clean and in good working order. Follow instructions for lubricating and changing accessories.
17. **CHECK FOR DAMAGED PARTS.** Check for alignment of moving parts, jamming, breakage, improper mounting, or any other conditions that may affect the tool's operation. Any part that is damaged should be properly repaired or replaced before use.
18. **DO NOT** operate the tool if you are under the influence of drugs, alcohol, or medication that may affect your ability to properly use the tool.
19. **USE SAFETY GOGGLES AT ALL TIMES** that comply with ANSI Z87.1. Normal safety glasses only have impact resistant lenses and are not designed for safety. Wear a face or dust mask when working in a dusty environment.
20. Use ear protection such as plugs or muffs during extended periods of operation.

SPECIFIC RULES FOR HEDGE TRIMMERS

⚠ WARNING — Do not let comfort or familiarity with product (gained from repeated use) replace strict adherence to product safety rules. If you use this tool incorrectly, you can suffer serious personal injury!

1. Keep all parts of the body away from the cutter blade. Do not remove cut material or hold material to be cut when blades are moving. Make sure the switch is off when clearing jammed material. Blades coast after turn off. A moment of inattention while operating the hedge trimmer may result in serious personal injury.
2. Carry the hedge trimmer by the handle with the cutter blade stopped. Proper handling of the hedge trimmer will reduce possible personal injury from the cutter blades.

⚠ WARNING — Keep hands away from blade. Use both hands when operating the hedge trimmer. Using one hand could cause loss of control and result in serious personal injury.

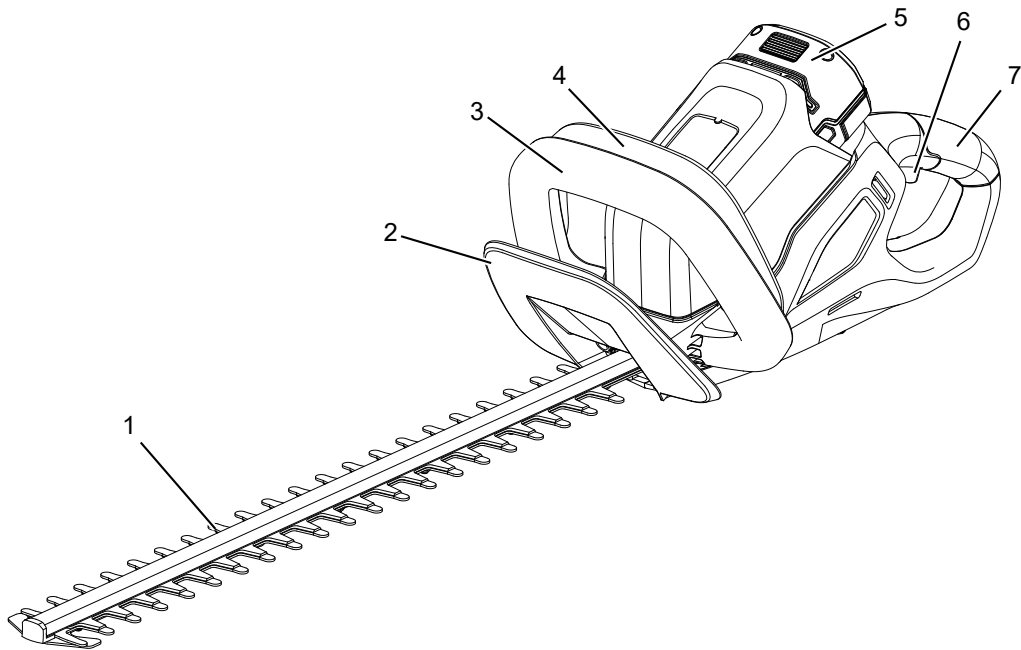
3. Hold the hedge trimmer by insulated gripping surfaces only, because the cutter blade may contact hidden wiring. Cutter blades contacting a “live” wire may make exposed metal parts of the power tool “live” and could give the operator an electric shock.
4. When using the hedge trimmer, always use caution and stand in a firm, well-balanced position. Avoid working on wet and slippery ground or uneven terrain.
5. Never run with the hedge trimmer. Keep your eyes open, paying full attention to your surroundings.
6. Do not use the hedge trimmer if you are unable to hold it with both hands. Do not overreach in an attempt to get hard-to-reach branches. Always hold the trimmer properly with two hands during operation.
7. Never allow children to operate the hedge trimmer. Make sure anyone that operates the hedge trimmer has fully read and understood these instructions.

8. Do not use the machine with children or pets in the vicinity. Do not use if you’ve ingested drugs, alcohol, or any medications that may slow your reaction time.
9. Do not use the hedge trimmer if the guards or parts have been damaged.
10. Always wait until the cutting device has come to a complete stop before removing the battery from the hedge trimmer.
11. Remove the battery before transporting the unit or performing any kind of maintenance. Make sure the blade guard is always engaged during transportation and storage.
12. Make sure the tool is off before inserting the battery.
13. Check for foreign objects in the hedges such as wire fences before operation.

COMPONENT LOCATION

COMPONENT LOCATION

KNOW YOUR HEDGE TRIMMER




- 1 — Blade
- 2 — Front Guard
- 3 — Front Handle
- 4 — Safety Switch

- 5 — Battery¹
- 6 — Trigger
- 7 — Rear Handle
- 8 — Blade Guard (Not pictured)

¹ Battery sold separately

OPERATION


ATTACH /REMOVE THE BATTERY

 **CAUTION:** Only use a Senix-approved battery and charger.

Note: The battery is not fully charged at the time of purchase. Charge it fully before using it for the first time.

To insert the battery, slide it into the back of the unit until a “click” is heard. Make sure the battery is fully inserted and latched into position.

To remove the battery, press the release button and slide the battery out.

 **WARNING — Do not insert or remove the battery while the trigger is pressed or while the unit is in motion.**

PREPARING THE HEDGE TRIMMER

Before starting the hedge trimmer, check that the trigger switches and safety switches are moving freely, returning automatically and quickly upon release. Also check that the cooling air vents are not obstructed and that both the front and rear handles are clean and dry.

STARTING THE HEDGE TRIMMER

The hedge trimmer is equipped with a two-handed safety switch. In order to power the machine on, you must press both the front handle’s safety switch and the rear handle’s trigger switch simultaneously. Always hold the hedge trimmer with both hands during operation.

TRIMMING HEDGES

A hedge trimmer is primarily used to cut hedges, but can also be used on shrubs and bushes as well. For the best results, angle the blade of the hedge trimmer 15° from the targeted hedge.

A string or tie can be used as a guideline in order to create a level hedge. Position the string at the preferred height and cut everything that protrudes past it.

The unit can be used in either direction. Use a sweeping motion back and forth for even cuts. Avoid cutting limbs and branches larger than 2/3 of an inch.

Do not force the hedge trimmer through heavy shrubbery. If the blades become jammed, immediately release the trigger and remove the battery pack.

Always be careful of flying debris during operation. Wear gloves when trimming thorny or prickly foliage.

MAINTENANCE

MAINTENANCE

⚠ WARNING — Remove the battery before inspecting, adjusting, performing maintenance, or cleaning the unit.

CLEANING

Keep all safety devices, air vents, and motor housing free of debris and dirt.

Wipe off the housing and the plastic components using a moist, soft cloth. Do not use strong solvents or detergents on the plastic housing or plastic components. Certain household cleaners may cause damage or cause a shock hazard.

CARBON BRUSHES

The carbon brushes need to be replaced by a qualified service technician. Do not attempt to replace them yourself.

LUBRICATION

For a long lifespan, make sure that the cutters are cleaned and lubricated at regular intervals in order to ensure the best possible performance. Routinely apply a thin film of lubricating oil.

SHARPENING THE BLADES

Remove the battery then clamp the blade assembly into a vise. Make sure the main body of the hedge trimmer is adequately supported to avoid damage.

File down the exposed cutting surface of each blade with an 8 inch smooth round file with a diameter of 1/4 to 7/32 of an inch. Make sure to retain the original angle of the cutter teeth when filing.

In order to file both sides of each cutter tooth, you may need to momentarily run the hedge trimmer until the opposing side of the cutter teeth are exposed.

Do not run the hedge while it is locked into the vise. Make sure all tools for sharpening have been removed before installing the battery. Remove the battery pack and repeat the sharpening process for the newly exposed teeth.

STORAGE

Examine the unit thoroughly for worn, loose or damaged parts. If you need to repair or replace a part, contact Senix customer service at 1-800-261-3981.

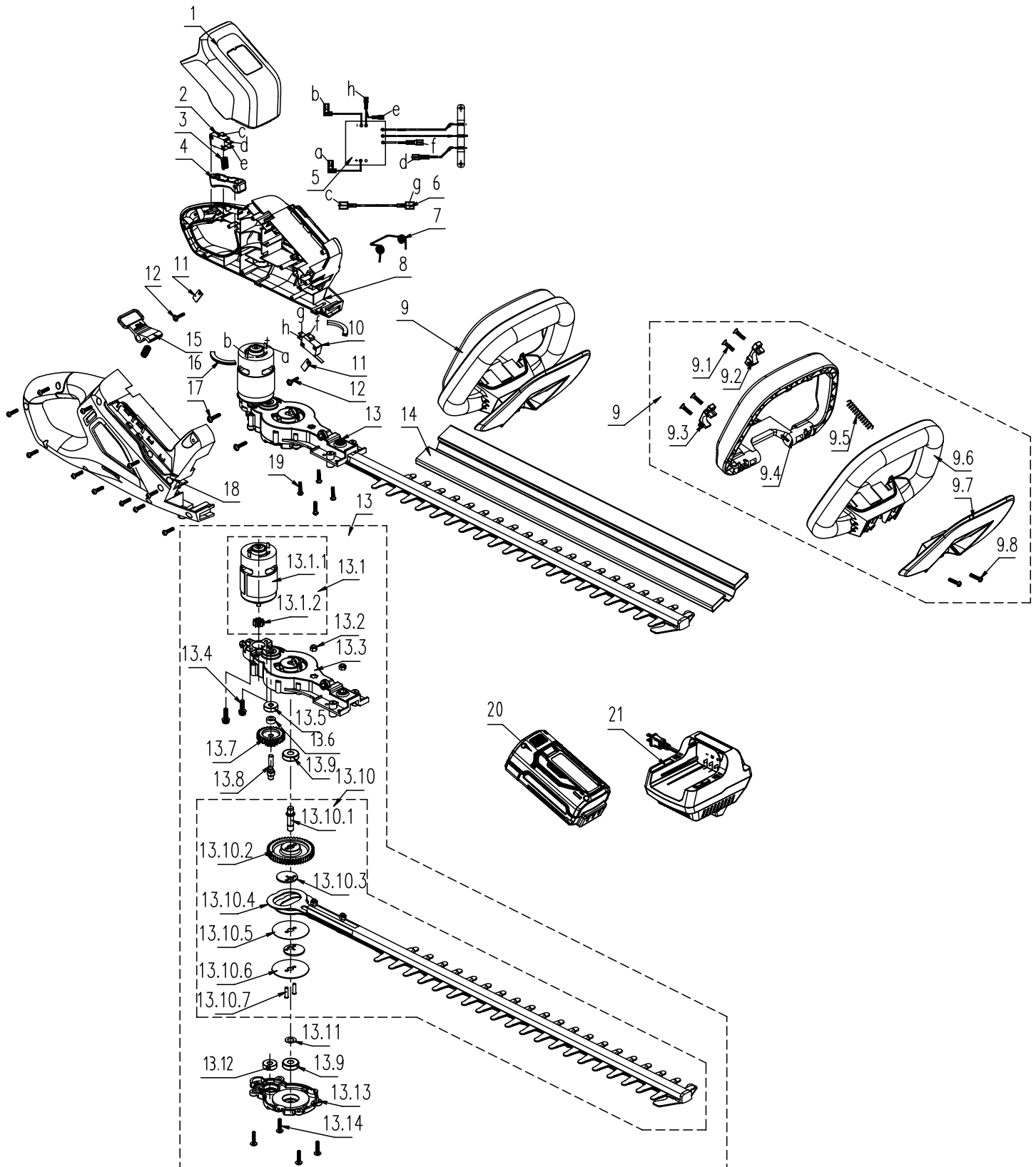
- Clean the unit before storing or transporting. Be sure to secure the unit while transporting.
- Remove the battery from before storing.

⚠ WARNING — Shorting the battery terminals together may cause burns or a fire.

- When battery pack is not in use, keep it away from other metal objects like paper clips, coins, keys, nails, screws, or other small metal objects that can make a connection from one terminal to another.
- Store the unit in a clean, dry place. Cover it in order to provide added protection.

PARTS

EXPLODED VIEW



PARTS

No.	Part #	Description	Qty.	No.	Part #	Description	Qty.
1		Battery Housing	1	13.4		Screw	2
2		Switch	1	13.5		626 Bearing	1
3		Switch Spring	2	13.6		Spindle Bushing	1
4		Trigger	1	13.7		Gear	1
5		PCB Board	1	13.8		Output Shaft	1
6		PCB Guard	1	13.9		608Z Bearing	2
7		Battery Spring	1	13.10		Output Shaft Assembly	1
8		Left Housing	1	13.10.1		Output Shaft	1
9		Handle Assembly	1	13.10.2		Drive Gear	1
9.1		Countersunk Screws	4	13.10.3		Wobbler	2
9.2		Left Plate	1	13.10.4		Blade Assembly	1
9.3		Right Plate	1	13.10.5		Blade Spacer	1
9.4		Front Handle	1	13.10.6		Base Plate	1
9.5		Spring	1	13.10.7		Pin	2
9.6		Handle Support	1	13.11		Bushing	1
9.7		Hand Guard	1	13.12		607 Bearing	1
9.8		Screws	2	13.13		End Cover	1
10		Switch	1	13.14		Screw	4
11		Insulator	2	14		Guide Bar Sheath	1
12		Screw	2	15		Battery Latch	1
13		Gear Box Assembly	1	16		Insulator	2
13.1		Motor Assembly	1	17		Screw	2
13.1.1		Stator/Rotor	1	18		Right Housing	1
13.1.2		Motor Gear	1	19		Screws	15
13.2		Hex Nuts	2	20		Battery	1
13.3		Gear Box	1	21		Charger	1

For replacement parts, email: parts@SENIXtools.com.

WARRANTY

LIMITED TWO-YEAR WARRANTY