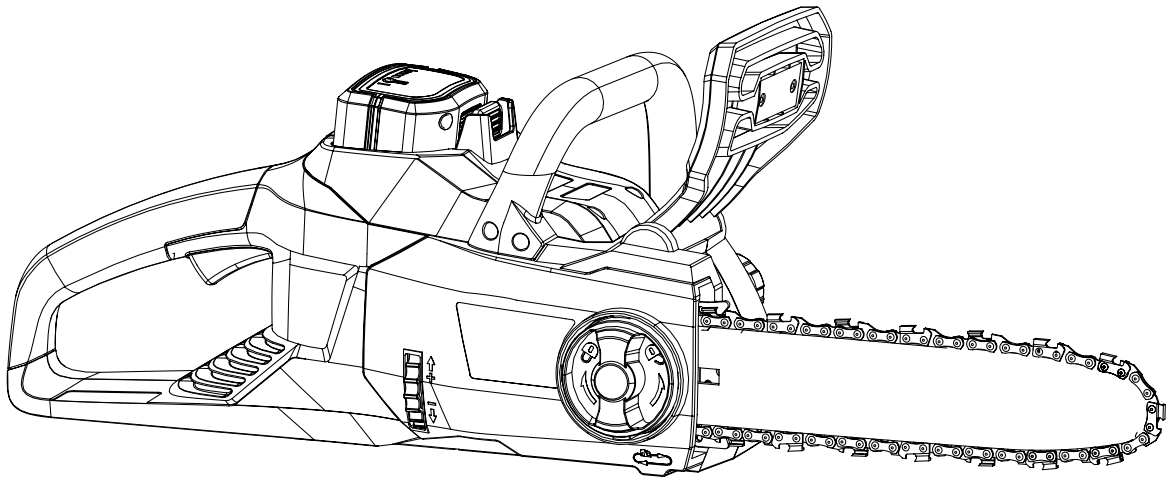




---

# 58V MAX LITHIUM ION CORDLESS CHAINSAW

Operator's manual  
Model: CSX5-M



For customer support, please call 1-800-261-3981 or send email to:

[support@senixtools.com](mailto:support@senixtools.com)

SAVE THIS MANUAL FOR FUTURE REFERENCE.

**TABLE OF CONTENTS**

TECHNICAL DATA.....1

**SAFETY**

SPECIFIC RULES FOR CHAINSAWS.....3

**SAWING TECHNIQUES**

FELLING A TREE.....4

FELLING BACK A CUT.....5

LIMBING A TREE.....5

BUCKING A LOG.....5

**COMPONENT LOCATION**

KNOW YOUR CHAINSAW.....7

**ASSEMBLY**

ASSEMBLY OF GUIDE BAR AND SAW CHAIN.....8

**ADJUSTMENTS**

TENSIONING THE CHAIN.....9

**OPERATION**

ATTACH/REMOVE THE BATTERY.....10

PREPARATION.....10

DURING OPERATION.....10

SAFETY WARNINGS.....10

ON/OFF SWITCH.....10

**MAINTENANCE**

CLEANING.....11

REPLACING THE CHAIN.....11

FILLING THE AUTO OIL SYSTEM.....11

STORAGE.....11

**PARTS**

EXPLODED VIEW.....12

**WARRANTY**

LIMITED TWO-YEAR WARRANTY.....14

**TECHNICAL DATA**

<b>Model Number:</b>	CSX5-M
<b>Motor:</b>	40V Brushless Motor
<b>Max. Motor Speed:</b>	8200 RPM (No Load)
<b>Max. Chain Speed:</b>	49 FPS (Feet Per Second)
<b>Oil Tank Capacity:</b>	XX oz.
<b>Saw Chain:</b>	16 inch, Oregon
<b>Saw Chain Model:</b>	91PJ056X
<b>Guide Bar Model:</b>	160SDEA041
<b>Battery/Charger:</b>	B25X5/CHX5
<b>Battery:</b>	58V Max Lithium Ion, 2.5 Ah
<b>Weight (w/Battery):</b>	12 lbs.
<b>Product Dimensions:</b>	32 x 8.5 x 10 in.

## SAFETY

---

### SAFETY

Safety is a combination of common sense, staying alert and knowing how your item works. SAVE THESE SAFETY INSTRUCTIONS.

**⚠ WARNING — To reduce the risk of injury, user must read and understand operator's manual.**

**⚠ WARNING — Do not cut down trees in high wind conditions. This can result in injury and should only be performed by a trained professional.**

1. READ and become familiar with this entire instruction manual. LEARN the tool's applications, limitations, and possible hazards.
2. AVOID DANGEROUS CONDITIONS. Do not use in wet or damp areas or expose them to rain. Keep work areas well lit.
3. DO NOT use in the presence of flammable liquids or gases.
4. DO NOT direct the tool at any bystanders.
5. KEEP BYSTANDERS AT A SAFE DISTANCE from the work area, especially when the tool is operating. NEVER allow children or pets near the tool.
6. DO NOT FORCE THE TOOL to do a job for which it was not designed.
7. DRESS FOR SAFETY. Do not wear loose clothing, gloves, neckties, or jewelry (rings, watches, etc.) when operating the tool. Inappropriate clothing and items can get caught in moving parts and draw you in. ALWAYS wear non-slip footwear and tie back long hair.
8. WEAR A FACE MASK OR DUST MASK if working in dusty or dirty conditions.
9. ALWAYS remove the battery from the tool when making adjustments, changing parts, cleaning, or working on the tool.
10. AVOID ACCIDENTAL START-UPS. Make sure the power switch is in the OFF position before inserting the battery.
11. REMOVE ADJUSTMENT TOOLS. Always make sure all adjustment tools are removed from the tool before turning it on.
12. NEVER LEAVE A RUNNING TOOL UNATTENDED. Turn the power switch OFF. Do not leave the tool until it has come to a complete stop.
13. NEVER STAND ON A TOOL. Serious injury could result if the tool tips or is accidentally hit. DO NOT store anything above or near the tool.
14. DO NOT OVERREACH and DO NOT cut above shoulder height. This helps prevent unintended tip contact and enables better control of the chain saw in unexpected situations.
15. Keep proper footing and balance at all times. Wear oil-resistant rubber-soled footwear. Keep the floor clear of oil, scrap, and other debris.
16. WEAR NECESSARY hand and hearing protection. Wear no-slip heavy duty work gloves and hearing protection in order to prevent injury.
17. MAINTAIN TOOLS PROPERLY. ALWAYS keep tools clean and in good working order. Follow instructions for lubricating and changing accessories.
18. CHECK FOR DAMAGED PARTS. Check for alignment of moving parts, jamming, breakage, improper mounting, or any other conditions that may affect the tool's operation. Any part that is damaged should be properly repaired or replaced before use.
19. DO NOT operate the tool if you are under the influence of drugs, alcohol, or medication that may affect your ability to properly use the tool.
20. USE SAFETY GOGGLES AT ALL TIMES that comply with ANSI Z87.1. Normal safety glasses only have impact resistant lenses and are not designed for safety. Wear a face or dust mask when working in a dusty environment.
21. Use ear protection such as plugs or muffs during extended periods of operation.

## SPECIFIC RULES FOR CHAINSAWS

- ⚠ WARNING — Do not let comfort or familiarity with product (gained from repeated use) replace strict adherence to product safety rules. If you use this tool incorrectly, you can suffer serious personal injury!**
- ⚠ WARNING — Do not cut down trees in high wind conditions. This can result in injury and should only be performed by a trained professional.**
1. Keep all parts of the body away from the saw chain when the chainsaw is operating. Before you start the chainsaw, make sure the saw chain is not contacting anything.
  2. Always hold the chainsaw with your right hand on the rear handle and your left hand on the front handle. Holding the chainsaw in the opposite manner can result in an increased risk of serious injury to the user.
  3. Only hold the power tool by the insulated gripping surfaces to avoid electric shock in case the saw chain contacts hidden wiring. Saw chains contacting a live wire may make exposed metal parts of the power tool live and can give the operator an electric shock.
  4. Keep the saw chain away from any cords or extension cables.
  5. Wear safety glasses and hearing protection. Protective equipment for hands, legs, head and feet is also highly recommended. Protective clothing greatly reduces the risk of personal injury from loose debris or accidental contact with the saw chain.
  6. Do not operate the chainsaw while standing in a tree. Only operate the chainsaw from a firm, level surface fixed on the ground. Always keep proper footing during operation. Slippery or unstable surfaces such as ladders may cause a loss of balance or control.
  7. When cutting a limb that is under tension, be alert for spring back. When tension from wood fibers and branches is suddenly released, the limb may fly in unpredictable ways, possibly resulting in kickback and injury to the user.
  8. Use extreme caution when cutting brush and saplings. The slender material may catch the saw chain, whipping towards you or pulling you off balance.

9. Carry the chainsaw by the front handle with the chainsaw switched off and away from your body. When transporting or storing the chainsaw always protect the blade with a scabbard (blade cover). Remove the battery for transport. Routinely lubricate, adjust chain tension, and check blades for dullness. Follow these instructions closely to minimize kickback and maximize the lifespan of the tool.
10. Keep handles dry, clean and free of oil and grease. Slippery handles increase the chances of losing control.
11. Only use this chainsaw to cut wood. Do not cut plastic, masonry or other non-wood materials. Do not use this chainsaw for anything other than its intended purpose. Let the saw work at its own pace.

## REDUCING KICKBACK

Kickback can occur when the tip of the guide bar touches an object or when the wood closes in and pinches the saw chain inside of the cut. Tip contact can kick the guide bar up and back towards the operator.

- ⚠ WARNING — The danger of a kickback is greatest when attempting to cut near or with the guide bar tip. Always apply the saw as flatly as possible in order to avoid a loss of control during operation.**

Pinching the saw chain along the top of the guide bar can push the bar rapidly towards the operator. Either of these reactions may cause a loss in control of the chainsaw, increasing the chances of serious personal injury. Do not rely on the safety devices built into the saw.

Kickback is the result of tool misuse and/or incorrect operating procedures. These conditions can be minimized with the following steps:

1. Maintain a firm grip, with thumbs and fingers encircling the chainsaw handles. Both hands should be on the saw with your body and arms in a position to resist kickback forces.
2. Do not overreach and do not cut above shoulder height. Keep the work area free from obstructions.
3. Only use replacement bars and chains specified by Senix. Replace dull blades as necessary.
4. Do not let the tip of the guide bar contact any surfaces.
5. Keep proper tension on the blade at all times. Check the tension at regular intervals. Remove the battery from the tool before making any adjustments to the blade or the tool.

## SAWING TECHNIQUES

- Cuts should only take place while the chain is moving at full speed. Do not turn the saw ON or OFF in the middle of a cut. Use extreme caution when re-entering a previous cut. Cut one log at a time. Do not attempt plunge or bore cuts. Watch for shifting logs or other external forces that could close a cut and pinch the chain.
- Make a precut on the opposite side of the log to avoid the blade from being pinched during operation as another safeguard against kickback.

## SAWING TECHNIQUES

- Saw off the lower branches on the tree first. By doing so, it is easier for the cut branches to fall to the ground.
- At the end of the cut, the weight of the saw suddenly increases for the user since it is no longer being supported by a branch. There is a risk of losing control of the saw, so make sure to stay alert during the entire sawing operation.
- Only pull the saw out of a cut while the saw is running. By doing so, you prevent the chain from jamming in the wood.
- Do not saw with the tip of the guide bar. Do not saw into the branch formations (where the tree branches outwards). This will impede the tree's ability to heal.
- For sawing off smaller branches, place the stop face of the saw on the branch. This prevents unwanted movements of the saw at the beginning of the cut. While applying light pressure, guide the saw through the branch from top to bottom.
- For sawing off larger branches, first make a relief cut. Saw through 1/3 of the branch diameter from the bottom to top using the top side of the guide bar. Then saw from top to bottom for the other 2/3 using the bottom side of the guide bar. Saw off longer branches in sections in order to maintain control over the location of impact.

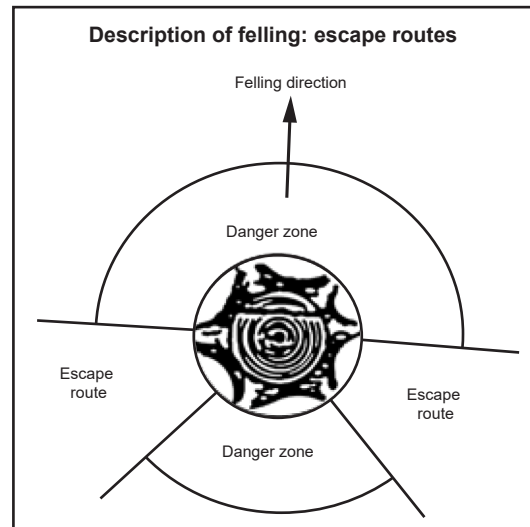
## FELLING A TREE

When bucking and felling operations are being performed by two or more persons at the same time, the felling operations should be separated from the bucking operation by a distance of at least twice the height of the tree being felled.

Trees should not be felled in a manner that would endanger any person, strike any utility line or cause any property damage. If the tree does make contact with any utility line, the company should be notified immediately.

The chain saw operator should keep on the uphill side of the terrain as the tree is likely to roll or slide downhill after it is felled.

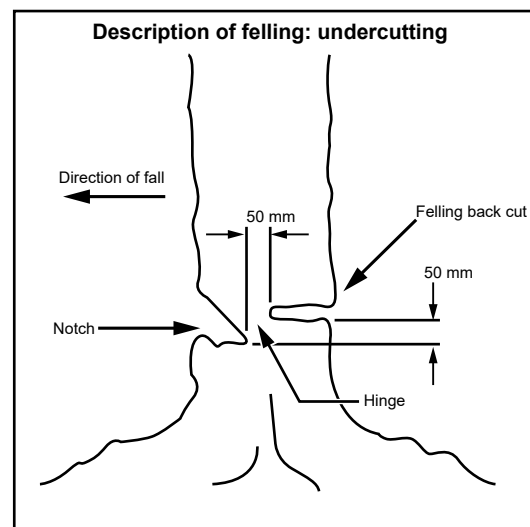
An escape path should be planned and cleared as necessary before cuts are started. The escape path should extend back and diagonally to the rear of the expected line of fall (Figure 1).



**Figure 1 - Escape routes**

Before felling is started, consider the natural lean of the tree, the location of larger branches and the wind direction to judge which way the tree will fall. Remove dirt, stones, loose bark, nails, staples and wire from the tree.

Make the notch 1/3 the diameter of the tree, perpendicular to the direction of falls (Figure 2).



**Figure 2 - Notching undercut**

Make the lower horizontal notching cut first. This will help to avoid pinching either the saw chain or the guide bar when the second notch is being made.

### FELLING BACK A CUT

Make the felling back cut at least 50 mm higher than the horizontal notching cut (Figure 2). Keep the felling back cut parallel to the horizontal notching cut. Make the felling back cut so enough wood is left to act as a hinge. The hinge wood keeps the tree from twisting and falling in the wrong direction. Do not cut through the hinge.

As the felling gets close to the hinge, the tree should begin to fall. If there is any chance that the tree may not fall in desired direction or it may rock back and bind the saw chain, stop cutting before the felling back cut is complete and use wedges of wood, plastic or aluminium to open the cut and drop the tree along the desired line of fall.

When the tree begins to fall remove the chain saw from the cut, stop the motor, put the chain saw down, then use the retreat path planned. Be alert for overhead limbs falling and watch your footing.

### LIMBING A TREE

Limbing is removing the branches from a fallen tree. When limbing leave larger lower limbs to support the log off the ground. Remove the small limbs in one cut (Figure 3). Branches under tension should be cut from the bottom up to avoid binding the chain saw.

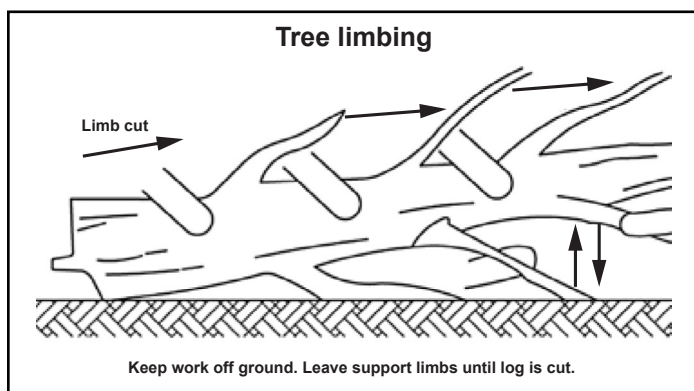


Figure 3 - Tree limbing

### BUCKING A LOG

Bucking is cutting a log into lengths. It is important to make sure your footing is firm and your weight is evenly distributed on both feet. When possible, the log should be raised and supported by the use of limbs, logs or chocks. Follow the simple directions for easy cutting.

When the log is supported along its entire length, it is cut from the top (overbuck) (Figure 4).

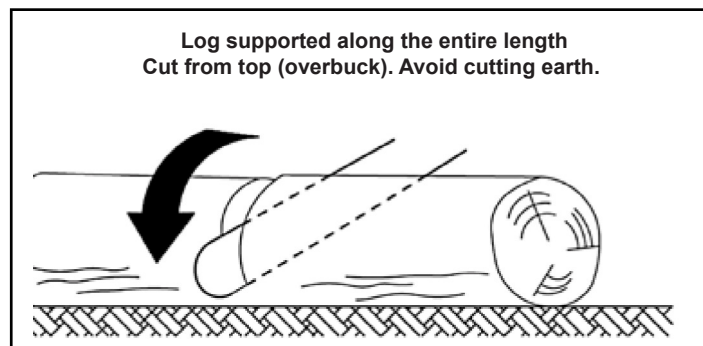


Figure 4 - Log fully supported

When the log is supported on one end, cut 1/3 the diameter from the underside (underbuck) (Figure 5). Then make the finished cut by overbucking to meet the first cut.

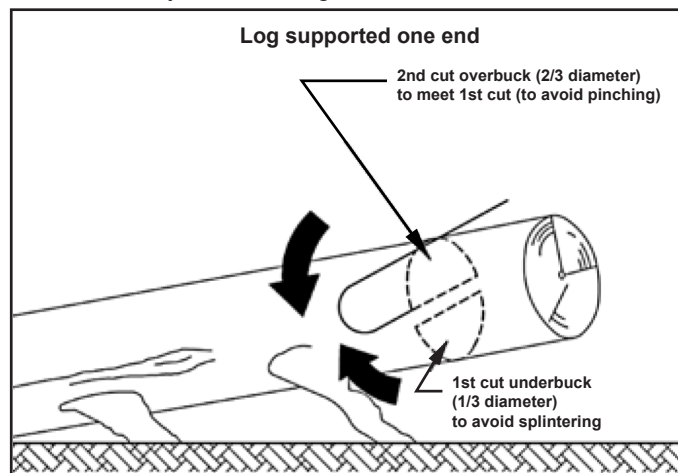
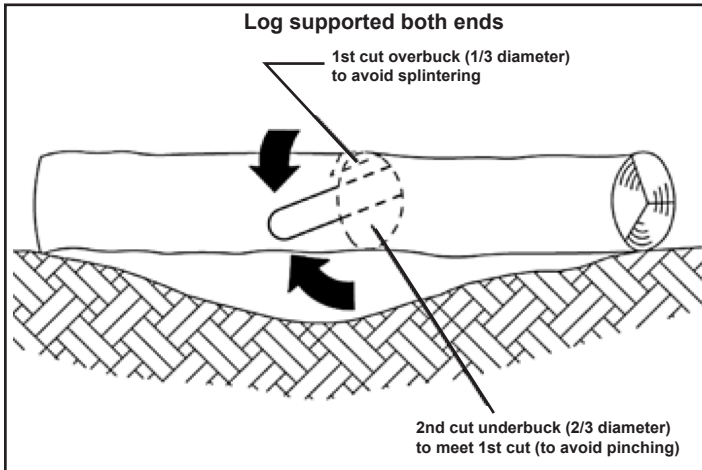


Figure 5 - Log supported on one end

## SAWING TECHNIQUES

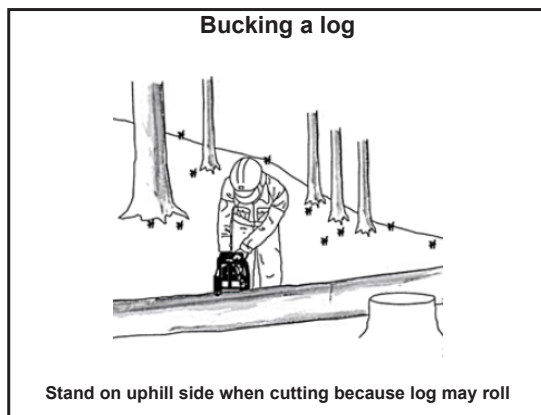
---

When the log is supported on both ends, cut 1/3 the diameter from the top (overbuck) (Figure 6). Then make the finished cut by underbucking the lower 2/3 to meet the first cut.



**Figure 6 - Log supported on both ends**

When bucking on a slope always stand on the uphill side of the log (Figure 7).

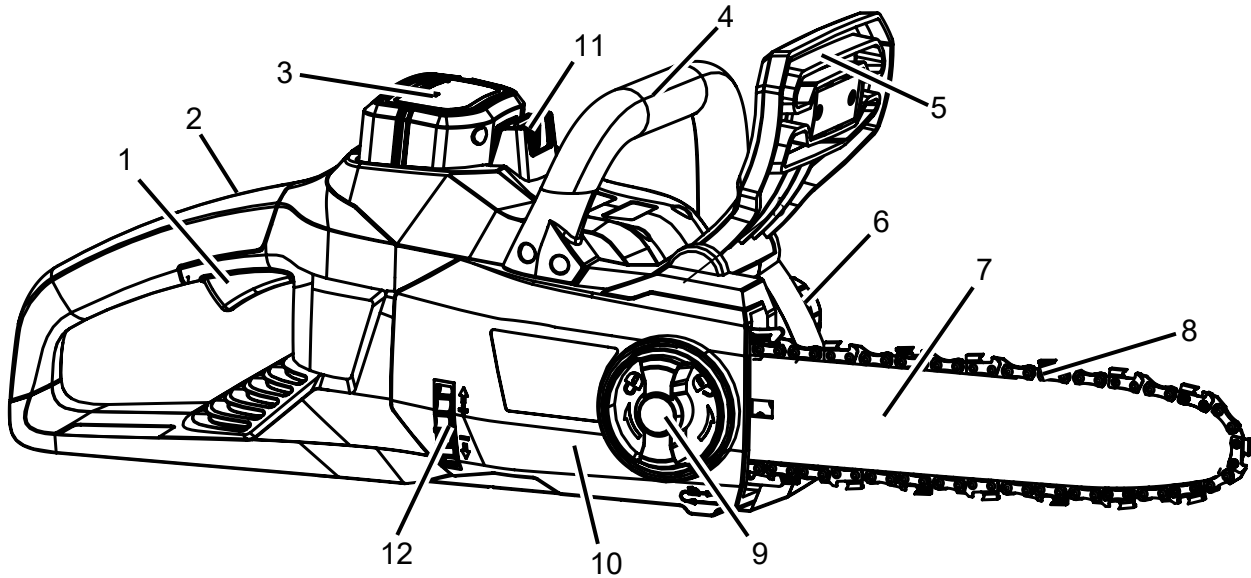


**Figure 7 - Stand uphill**

To maintain complete control when cutting through a log, release the cutting pressure near the end of the cut without relaxing your grip on the chain saw handles. Don't let the chain contact the ground. After completing the cut, wait for the saw chain to stop before you move the chain saw. Always stop the motor before moving from tree to tree.

COMPONENT LOCATION

KNOW YOUR CHAINSAW



- |                                |                             |
|--------------------------------|-----------------------------|
| 1 — Trigger                    | 7 — Guide bar               |
| 2 — Safety Switch <sup>1</sup> | 8 — Chain                   |
| 3 — Battery <sup>2</sup>       | 9 — Side cover lock         |
| 4 — Front handle               | 10 — Side cover             |
| 5 — Hand guard/Chain break     | 11 — Battery release button |
| 6 — Oil cap <sup>1</sup>       | 12 — Chain tension wheel    |

<sup>1</sup> On back or underside of chainsaw

<sup>2</sup> Battery sold separately



## ASSEMBLY

### ASSEMBLY

#### ASSEMBLY OF GUIDE BAR AND SAW CHAIN

**⚠ WARNING** — Remove the battery before inspecting, adjusting, performing maintenance, or cleaning the unit.

**⚠ CAUTION:** Always wear protective gloves when handling saw chains.

1. Place the saw body on a firm and level surface.
2. Rotate the side cover lock counterclockwise to remove the cover from the saw's body (Figure 8).

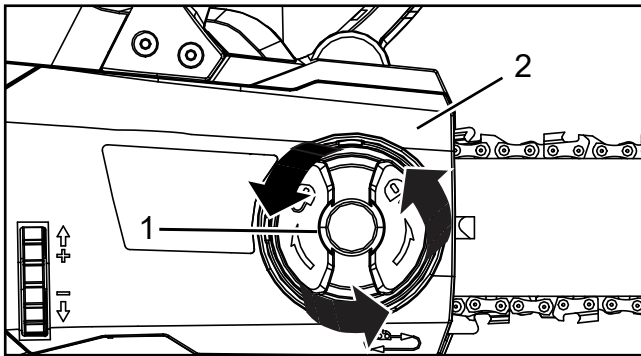


Figure 8 - Remove cover

- 1 — Side cover lock
- 2 — Cover

3. Wearing protective gloves, wrap the saw chain around the guide bar, making sure that the teeth are aimed in the direction of rotation (Figure 9). The chain should be properly set in the slot running along the entire outside edge of the guide bar.

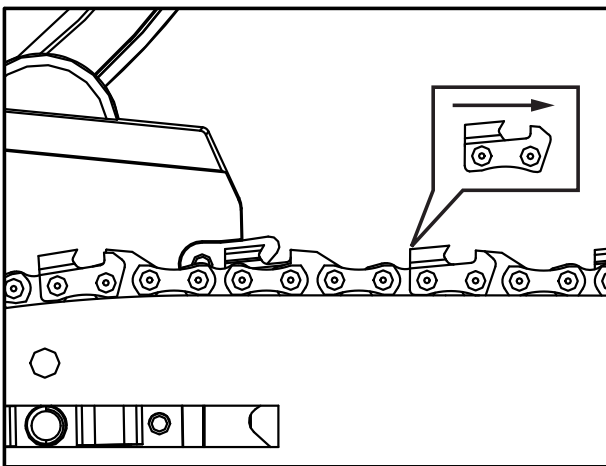


Figure 9 - Correct teeth direction

4. Place the saw chain around the sprocket while lining up the slot in the guide bar with the internal bolt at the base of the saw and the chain tensioning pin in the guide bar's pin hole (Figure 10). The chain tensioning pin may need adjustment to properly align with the hole in the guide bar. Use the chain tensioning wheel to adjust its location until it fits in the guide bar.

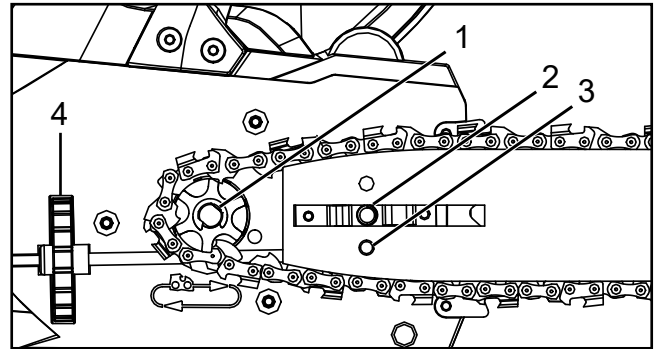


Figure 10 - Install chain

- 1 — Sprocket
- 2 — Internal bolt
- 3 — Chain tensioning pin
- 4 — Chain tensioning wheel

5. Turn the chain tensioning wheel to preliminarily tighten the guide bar enough that the chain stays in place (Figure 10). While holding the bar still, reinstall the cover. Make sure the tab properly line up with the slot on the body of the saw (Figure 11). Reinstall the side cover lock and turn it clockwise until it engages. Adjust the chain tension.

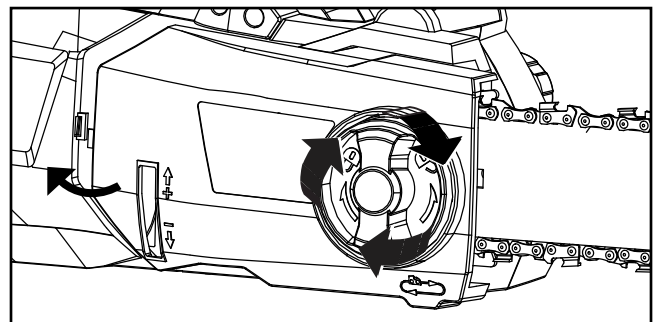


Figure 11 - Reinstall cover

## FILLING THE OIL TANK

1. Place the saw on a level surface. Clean the area around the oil tank cap and then open it.

**⚠ CAUTION:** Make sure that no dirt gets into the oil tank to prevent clogging in the oil nozzle.

2. Fill the oil tank with **XX** oz. of saw chain oil (Figure 3).

3. Close the oil tank cap.

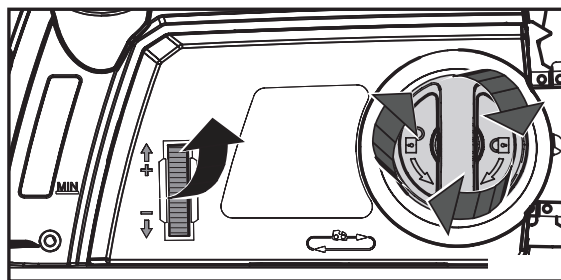


Figure 13 - Adjust chain tension

## ADJUSTMENTS

### TENSIONING THE CHAIN

**⚠ CAUTION:** Always wear protective gloves when handling saw chains.

**⚠ WARNING** — Remove the battery before adjusting the chain tension.

1. Check the chain tension by pulling the saw chain away from the guide bar. A properly tensioned chain should have roughly 1/8 inch (3 mm) of distance between itself and the bar guide (Figure 12).

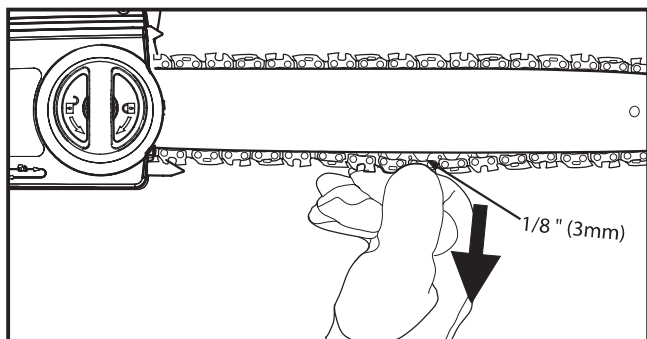


Figure 12 - Check chain tension

2. If saw chain tension adjustment is needed, loosen the side cover lock one full turn and rotate the chain tensioning wheel (Figure 13). Rotating the wheel upwards increases the tension. Rotating it downwards decreases tension. A properly tensioned chain should have no sag and should only be able to be pulled 1/8 inch (3 mm) away from the guide bar of the saw (Figure 14).

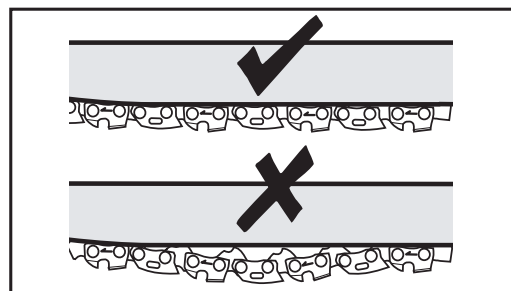


Figure 14 - Correct chain tension

**⚠ IMPORTANT:** Do not over-tension the chain: this will lead to excessive wear and reduces the life of both the bar and chain.

3. Once the chain is properly tensioned, tighten the side cover lock.

**⚠ CAUTION:** The saw chain must be tensioned properly in order to ensure safe operation.

The chain tension is optimal if the saw chain can be lifted 1/8 inch (3 mm) from the center of the guide bar.

Because the saw chain heats up during operation, its length can fluctuate. Check the chain tension every 10 minutes of operation and adjust as necessary, particularly for new saw chains.

**TIP:** The saw chain shortens when cooling down. Loosen the saw chain after work is completed to elongate the chain's life and prevent possible damage.

## OPERATION

---

### OPERATION

**⚠ WARNING** — It is recommendation that first-time users should, at minimum, practice cutting logs on a saw-horse or cradle.

#### ATTACH /REMOVE THE BATTERY

**⚠ CAUTION:** Only use a Senix-approved battery and charger.

**Note:** The battery is not fully charged at the time of purchase. Charge it fully before using it for the first time.

To insert the battery, slide it into the back of the unit until a “click” is heard. Make sure the battery is fully inserted and latched into position.

To remove the battery, press the release button and slide the battery out.

**⚠ WARNING** — Do not insert or remove the battery while the trigger is pressed or while the trimmer is in motion.

#### PREPARATION

Before each use, check the following items to ensure safe working conditions.

**CHAINSAW:** Inspect the chainsaw housing, saw chain, and guide bar for damage. Do not use the chainsaw if damage has occurred.

**CHAIN OIL:** Check the fill level of the oil tank.

**⚠ CAUTION:** To prevent damage to the chainsaw, never operate the saw if there is no oil or the oil level has dropped below the minimum oil level mark.

**SAW CHAIN:** Check the chain tension and the condition of the blades.

**TIP:** The sharper the saw chain, the easier and more manageable operations will be.

**PROTECTIVE CLOTHING:** Wear appropriate close-fitting protective clothing such as protective pants, gloves and safety shoes. Wear a safety helmet with integrated hearing protection and a face guard to provide protection against falling and recoiling branches.

### DURING OPERATION

**CHAIN OIL:** Check the oil level while working. On average, an oil filling is sufficient for approximately 10 minutes of cutting operation (depending the duration of pauses and the density of the workpiece).

**⚠ WARNING** — Remove the battery before adjusting the chain tension.

**CHAIN TENSION:** Check the saw chain tension every 10 minutes of operation to maximize safety. New saw chains in particular are subject to changes due to the heat created by operation. Adjust as necessary to maintain the correct chain tension.

### SAFETY WARNINGS

- In order to ensure safe work, do not operate the saw above shoulder height.
- Never stand below a branch that is being sawed.
- Exercise caution when sawing both branches under tension or branches that are splintering.
- Make sure to safe guard against the risk of injury from falling branches and flying wood projectiles.
- If the machine is in operation, keep persons and animals away from the danger area.
- The machine is not protected against electric shock when coming into contact with high-voltage lines. Maintain a minimum clearance of 30 feet from current-carrying power lines to avoid life-threatening electric shock.
- Do not expose the unit to rain.
- When working on an incline, always stand above or to the side of the branch being sawed.
- Allow the chain to cut for you. Keep the saw running at full speed for the entire duration of the cut.

## ON/OFF SWITCH

To turn the tool ON: Push the safety button (Figure 15) and then squeeze the trigger. After the tool has started, you can release the safety switch without turning the tool off.

To turn the tool OFF: Release the trigger switch.

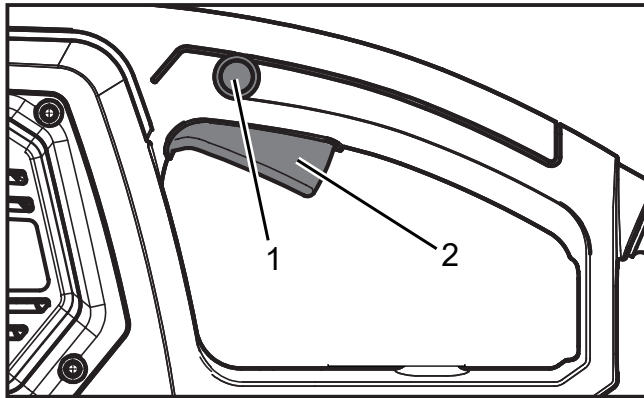


Figure 15 - Safety and trigger switch

- 1 — Safety button
- 2 — Trigger switch

## MAINTENANCE

**⚠ WARNING — Remove the battery before inspecting, adjusting, performing maintenance, or cleaning the unit.**

### CLEANING

- Brush or blow dust and debris out of the air vents using compressed air or a vacuum. Keep the air vents free of obstructions, sawdust, and wood chips. Do not spray, wash, or immerse the air vents in water.
- Wipe off the housing and the plastic components using a moist, soft cloth. Do not use strong solvents or detergents on the plastic housing or plastic components. Certain household cleaners may cause damage or cause a shock hazard.
- Routinely clean out the dust and debris that gathers under the tension housing, the oil outlet, and around the bar and the chain sprocket. Otherwise it can jam up the sprocket, the chain, and the lubrication system.

### REPLACING THE CHAIN

**⚠ WARNING — Only use replacement bars and chains specified by the manufacturer. Incorrect replacement bars and chains may cause chain breakage and/or kickback.**

1. Rotate the side cover lock and remove the cover of the saw's body (Figure 8).

**⚠ CAUTION: Always wear protective gloves when handling saw chains.**

2. Lift the worn saw chain out of the fitted slot in the guide bar.
3. Place the new chain in this position, making sure the teeth are facing the correct direction and that the edge of the chain fits into the slot around the guide bar (Figure 9).
4. Replace the cover and tighten the side cover lock. Adjust tension before operating.

## PARTS

---

### FILLING THE AUTO OIL SYSTEM

This chainsaw features an auto-oiling system to keep the chain and guide bar properly lubricated. The oil level indicator shows the remaining oil in the chainsaw. If the oil level decreases to below one quarter capacity, refill it with the proper bar and chain oil. To fill the oil reservoir:

1. Remove the oil cap. Fill the reservoir with bar and chain oil until the oil level has reached full capacity.
2. Put the oil cap back on. Make sure to check the oil level after every 10 minutes of use. Unplug the chainsaw before checking oil levels or filling the oil reservoir.

### STORAGE

Examine the unit thoroughly for worn, loose or damaged parts. If you need to repair or replace a part, contact Senix customer service at 1-800-261-3981.

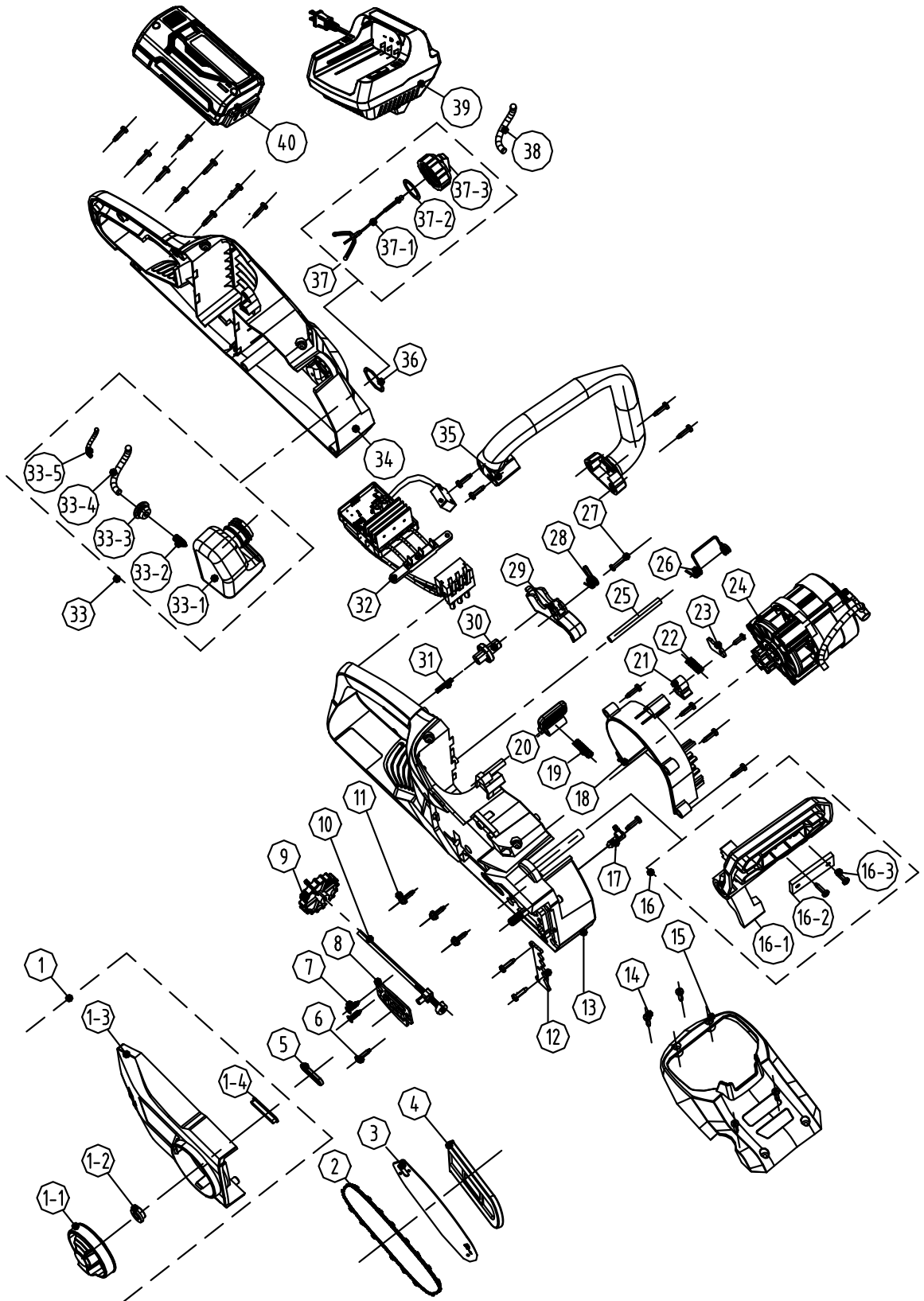
- Clean the unit before storing or transporting. Be sure to secure the unit while transporting.
- Remove the battery from before storing.

**⚠ WARNING — Shorting the battery terminals together may cause burns or a fire.**

- When battery pack is not in use, keep it away from other metal objects like paper clips, coins, keys, nails, screws, or other small metal objects that can make a connection from one terminal to another.
- Store the unit in a clean, dry place. Cover it in order to provide added protection.

PARTS

EXPLODED VIEW



## WARRANTY

No.	Part #	Description	Qty.
1		Blade Tension Cap Assembly	1
1-1		Tension Lock Knob	1
1-2		Spindle Cover	1
1-3		Bar Cover	1
1-4		Cover Seal	1
2		Chain	1
3		Guide Bar	1
4		Sheath	1
5		Oil Feed Seal	1
6		Screw	22
7		Screw	2
8		Insulating Washer	1
9		Tension Adjusting Knob	1
10		Tension Adjustment Rod	1
11		Screw	3
12		Bucking Teeth	1
13		Right Housing	1
14		Screw	4
15		Upper cover	1
16		Brake Handle Assembly	1
16-1		Brake Handle	1
16-2		Guard Plate	1
16-3		Screw	2
17		Oil Outlet Nozzle	1
18		Housing Vent	1
19		Battery Pack Release Spring	1
20		Battery Pack Release Lever	1
21		Lock	1

No.	Part #	Description	Qty.
22		Bake Spring	1
23		Clamp	1
24		Motor	1
25		Shaft	1
26		Spring	1
27		Screw	1
28		Torsion Spring	1
29		Trigger	1
30		Safety Button	1
31		Safety Spring	1
32		PCB	1
33		Oil Tank Assembly	1
33-1		Oil Tank	1
33-2		Filter	1
33-3		Seal	1
33-4		Oil Tube (90)	1
33-5		Spring (60)	1
34		Left Housing	1
35		Handle	1
36		Rubber Washer	1
37		Oil Cap Assembly	1
37-1		Hanger	1
37-2		Seal Ring	1
37-3		Oil Cap	1
38		Oil Tube (120)	1
39		Charger	1
40		4.0Ah Battery	1

For replacement parts, email: [parts@SENIXtools.com](mailto:parts@SENIXtools.com).

---

**WARRANTY**

**LIMITED TWO-YEAR WARRANTY**