

Weld-In

Silverware Pre-Washing System

Weld-In

Application

Recommended For All Customer Operations, (Excluding Most Silverware Chutes) and where unit is not to be moved for operation. Welds into standard dish tables.

Note: Must be Hard Plumbed & Wired.

Standard Specifications

Structural:

- 304 stainless steel construction with 14 gauge tank, legs, and rim.
- Mounting bracket and mounting studs for control panel included. Enables easy mounting of control panel to wall, dish table or wash tank.
- Minimal footprint.

Electrical:

- 3/4 HP continuous heavy duty (TEFC) motor.
- Pistol grip On/Off mechanical Start/Stop switch with 1/2" conduit connection.

Plumbing:

- 1/2" single handle faucet "hot only" included.
- Integrated mixing valve tempers incoming water to dispense water at the appropriate temperature.
- 1 1/2" inside diameter ball valve drain provided.
- 11 gallon wash tank capacity.

Operational:

- (2) removable stainless steel wash tank baskets included.
- 600GPM Recirculation wash flow rate.

Standard Specifications (Continued)

Warranty:

- Three years parts and labor warranty. (Domestic only)

Specify Desired Electrical Service

Electrical Connection: 1/2" Conduit connection in PS-50 pistol grip mechanical Start/Stop control box.

- 3/4 HP 208/230 Single Phase 5.2/4.8 Full Load Amps.

For international availability contact Power Soak Systems.

Options

- Additional wash tank baskets. Specify number of baskets here _____.
- Splash guard.
- Aluminum basket inserts for tarnish control on silverplate or sterling silverware. (Box of 2)

Considerations

Electrical:

- Hardwire electrical connection needed.
- 1/2" conduit connection required.

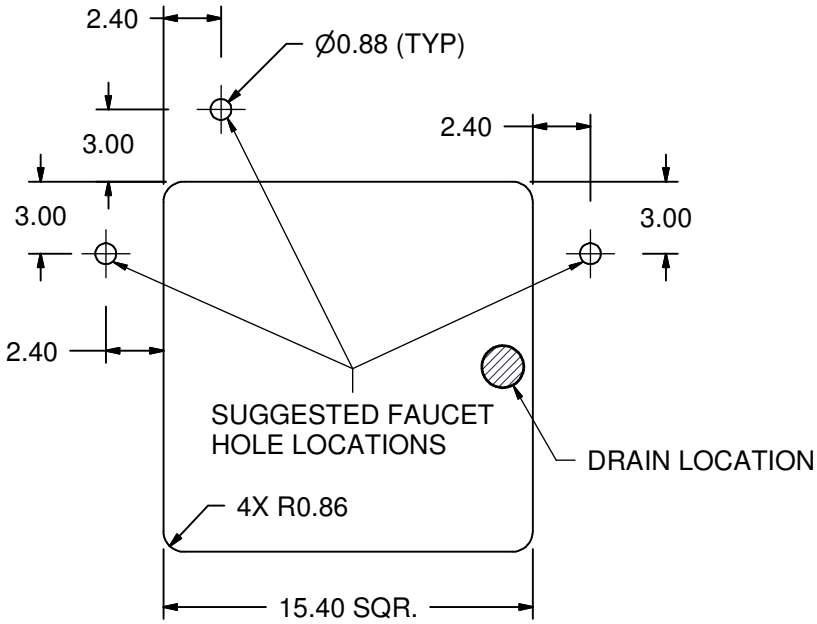
Plumbing:

- 1/2" hot and cold water supply lines needed for fill source.
- 1 1/2" drain line connection.

Operational:

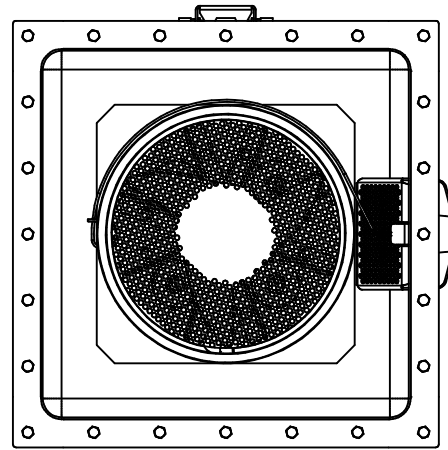
- Low foaming, enzyme based chemical recommended for optimal washing results.

Table Cutout Dimensions:

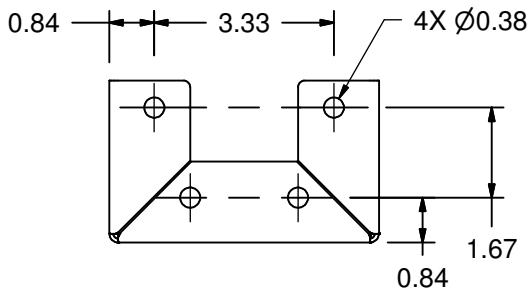


Plan View:

BASKET REMOVED

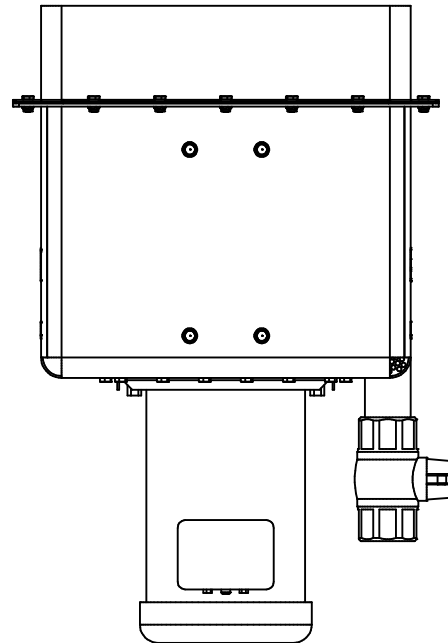


Control Panel Mounting Bracket Dimensions:



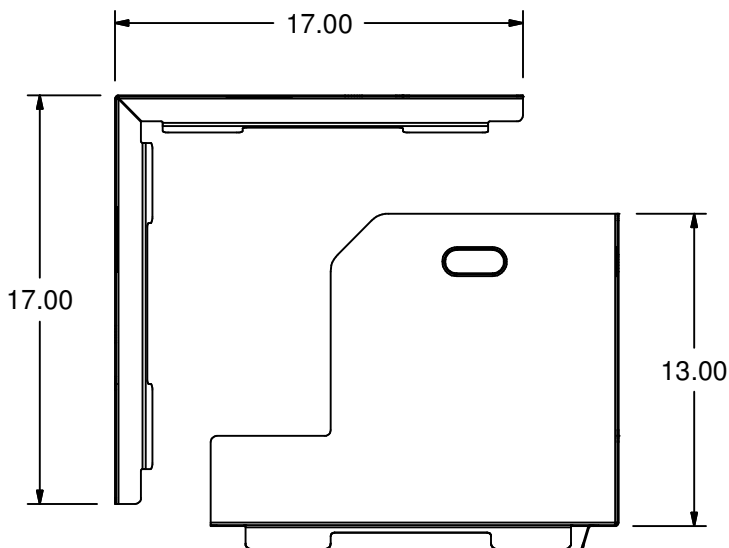
Elevation View:

BASKET REMOVED



Optional Splash Shield:

PART NUMBER 35582



Silverware Basket:

