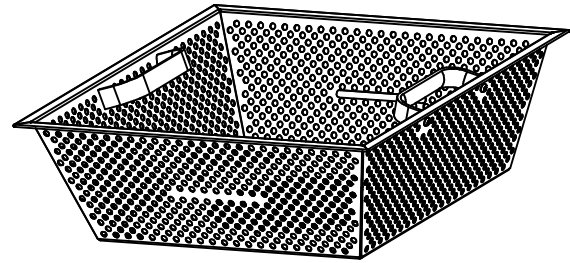


Optional Splash Guard



(2) Removable Wash Tank Baskets Included

Application

Recommended For All Customer Operations, (Excluding Most Silverware Chutes) and where unit is not to be moved for operation.

Note: Must be Hard Plumbed & Wired.

Standard Specifications

Structural:

- 304 stainless steel construction with 14 gauge tank, legs, and rim.
- Control Panel mounted under wash tank.
- Minimal footprint.

Electrical:

- 3/4 HP continuous heavy duty (TEFC) motor.
- Pistol grip On/Off mechanical Start/Stop switch with 1/2" conduit connection.

Plumbing:

- 1/2" single handle faucet "hot only" included.
- 1 1/2" inside diameter ball valve drain provided.
- 11 gallon wash tank capacity.

Operational:

- (2) removable stainless steel wash tank baskets included.
- 600GPM Recirculation wash flow rate.

Warranty:

- Three years parts and labor warranty. (Domestic only)

Specify Desired Electrical Service

Electrical Connection: 1/2" Conduit connection in PS-50 pistol grip mechanical Start/Stop control box.

- 3/4 HP 208/230 Single Phase 5.2/4.8 Full Load Amps.

For international availability contact Power Soak Systems.

Options

- Additional wash tank baskets. Specify number of baskets here _____.
- Splash guard.
- Aluminum basket inserts for tarnish control on silverplate or sterling silverware. (Box of 2)

Considerations

Electrical:

- Hardwire electrical connection needed.
- 1/2" conduit connection required.

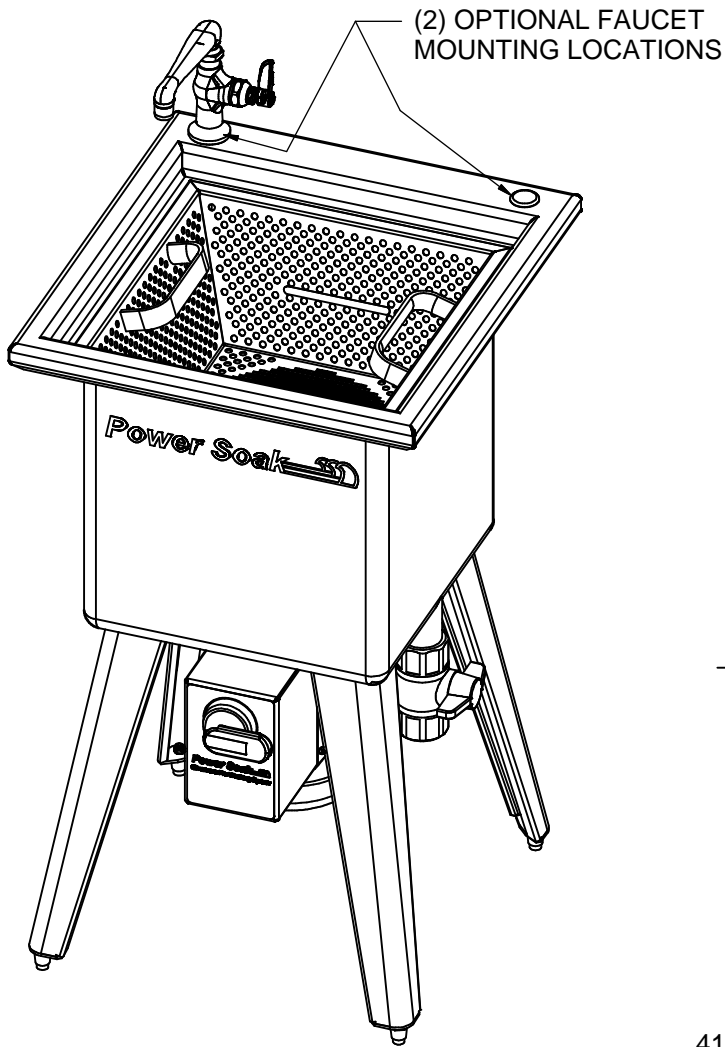
Plumbing:

- 1/2" hot water supply line needed for fill source.
- 1 1/2" drain line connection.

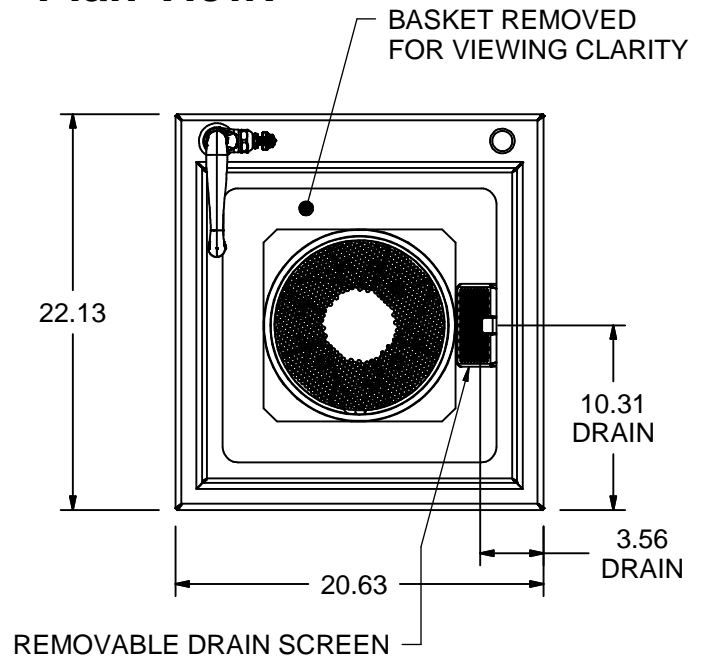
Operational:

- Low foaming, enzyme based chemical recommended for optimal washing results.

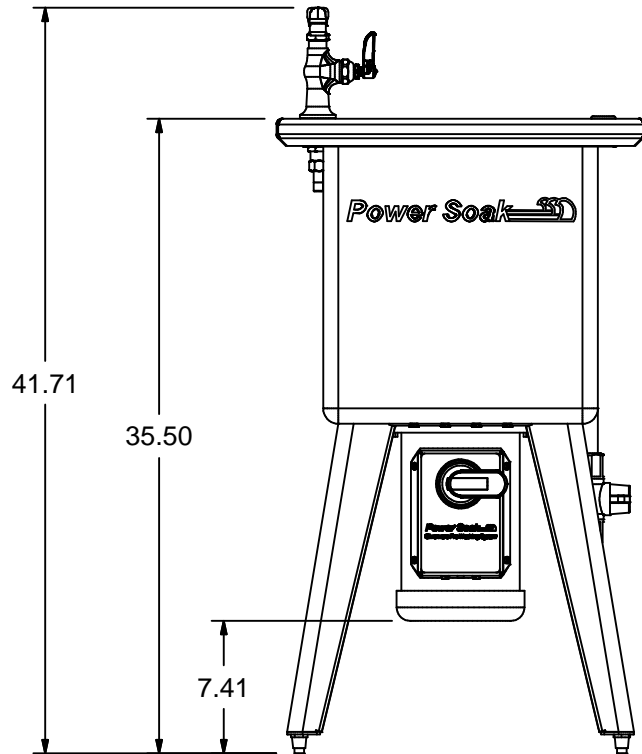
Isometric View:



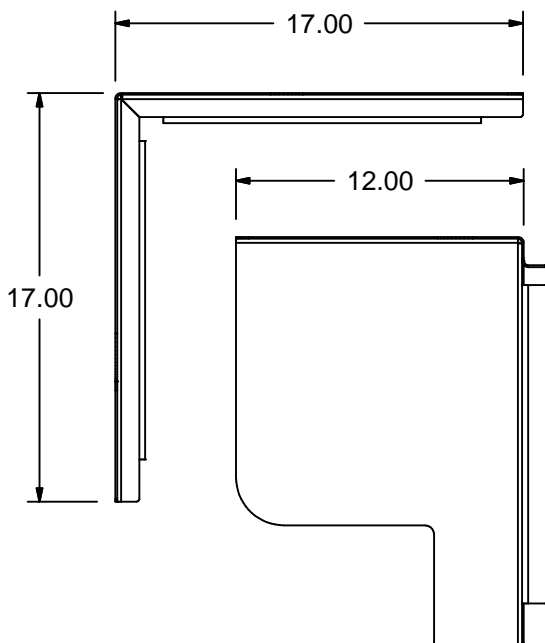
Plan View:



Elevation View:



Optional Splash Guard:



Silverware Basket:

