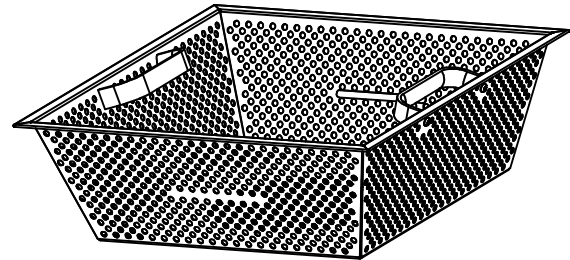


Optional Splash Guard



(2) Removable Wash Tank Baskets Included

Roll-Under

Silverware Pre-Washing System

Roll-Under

### Application

Recommended For Customer Operations, including but not limited to:

- Where unit needs to be moved for operation.
- Where silverware chutes are used.

**Note:** Unit should be plumbed and wired using flexible or easily detachable connections.

### Standard Specifications

#### Structural:

- 304 stainless steel construction with 14 gauge tank, legs, and rim.
- Control Panel mounted under wash tank.
- Minimal footprint.

#### Electrical:

- 3/4 HP continuous heavy duty (TEFC) motor.
- Pistol grip On/Off mechanical Start/Stop switch with 1/2" conduit connection.

#### Plumbing:

- 1/2" single handle faucet "hot only" included.
- 1 1/2" inside diameter ball valve drain provided.
- 11 gallon wash tank capacity.

#### Operational:

- (2) removable stainless steel wash tank baskets included.
- 600GPM Recirculation wash flow rate.

#### Warranty:

- Three years parts and labor warranty. (Domestic only)

### Specify Desired Electrical Service

**Electrical Connection:** 1/2" Conduit connection in PS-50 pistol grip mechanical Start/Stop control box.

- 3/4 HP 115V Single Phase 8.4 Full Load Amps.

For international availability contact Power Soak Systems.

### Options

- Additional wash tank baskets. Specify number of baskets here \_\_\_\_\_.
- Splash guard.
- Aluminum basket inserts for tarnish control on silverplate or sterling silverware. (Box of 2)

### Considerations

#### Electrical:

- Hardwire electrical connection needed.
- 1/2" conduit connection required.

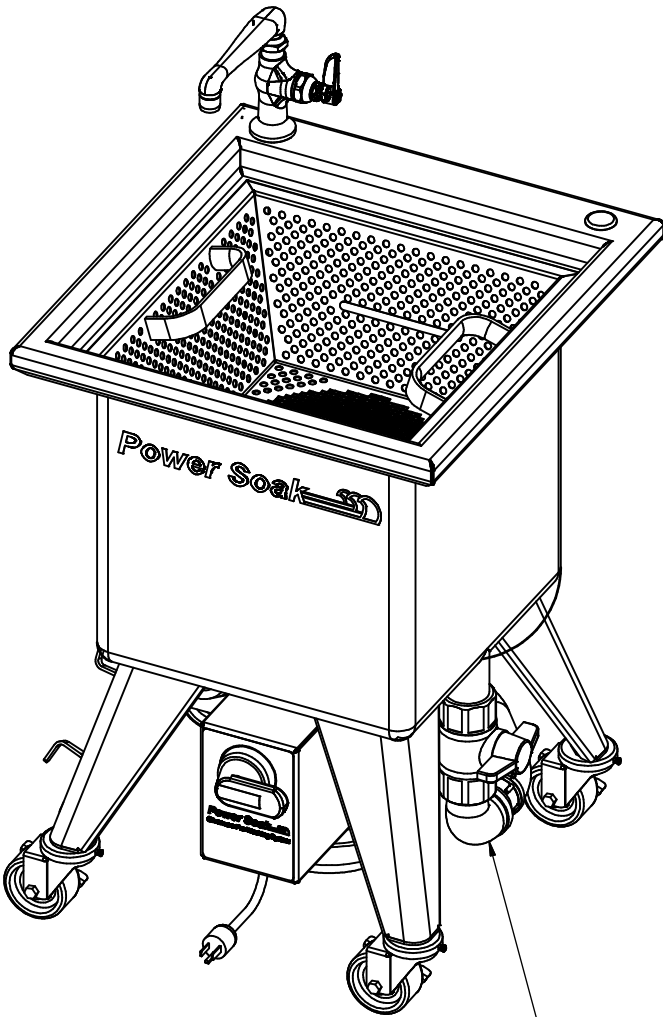
#### Plumbing:

- 1/2" hot water supply line needed for fill source.
- 1 1/2" drain line connection.

#### Operational:

- Low foaming, enzyme based chemical recommended for optimal washing results.

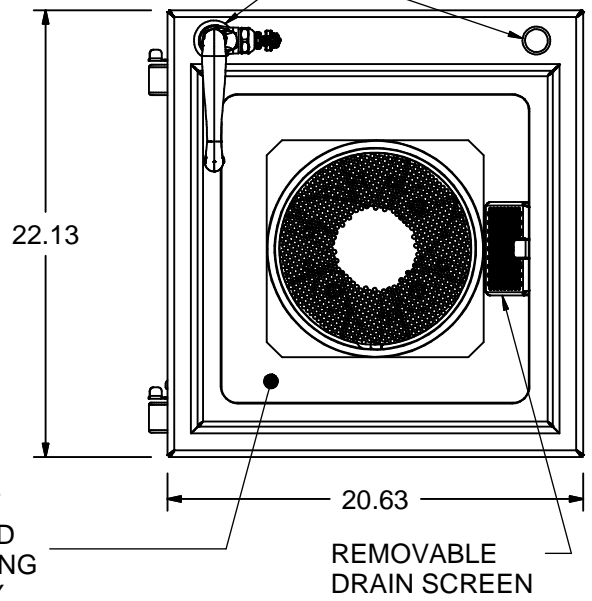
# Isometric View:



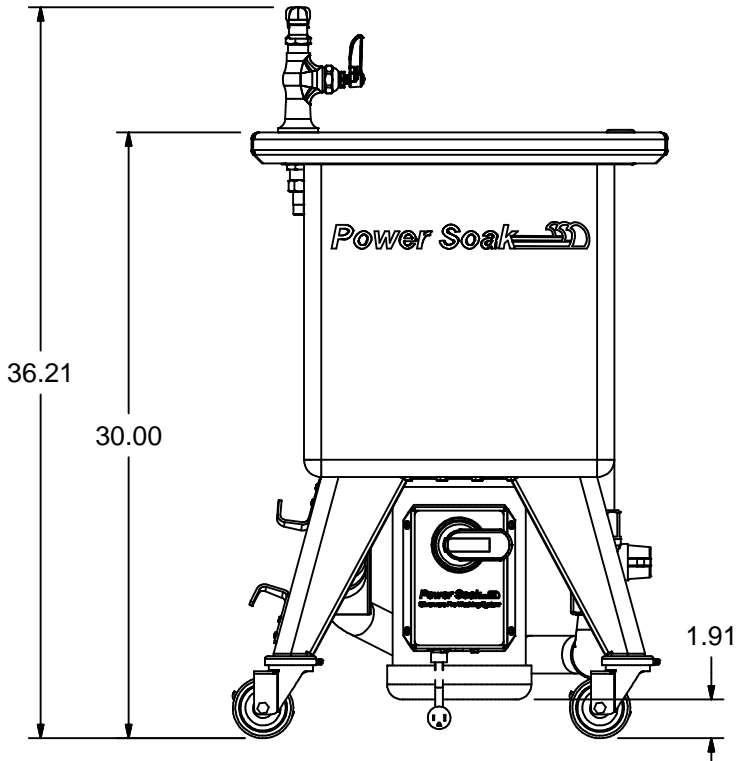
24" FLEXIBLE DRAIN HOSE  
1-1/2" FNPT CONNECTION

# Plan View:

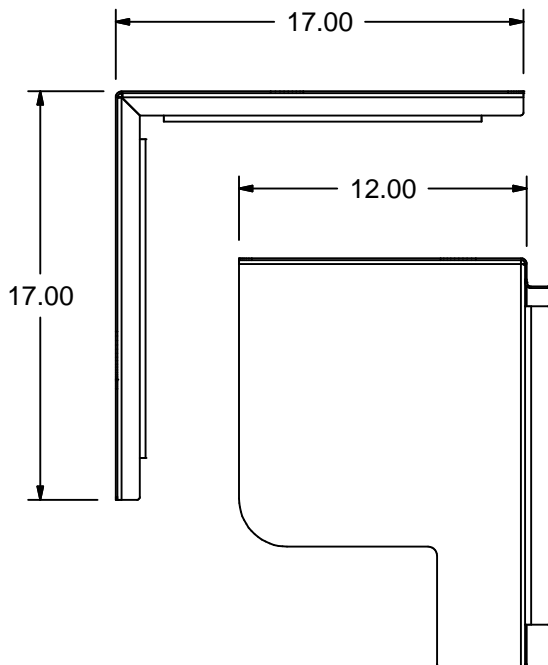
(2) OPTIONAL FAUCET MOUNTING LOCATIONS



# Elevation View:



# Optional Splash Guard:



# Silverware Basket:

