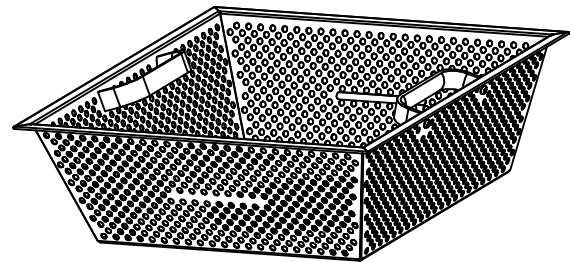


Optional Splash Guard



(2) Removable Wash Tank Baskets Included

Application

Recommended For All Customer Operations, (Excluding Most Silverware Chutes) and where unit is not be moved for operation. Installs in dish table using a bolted, gasketed flange.

Note: Must be Hard Plumbed & Wired.

Standard Specifications

Structural:

- 304 stainless steel construction with 14 gauge tank, legs, and rim.
- Mounting bracket and mounting studs for control panel included. Enables easy mounting of control panel to wall, dish table or wash tank.
- Minimal footprint.

Electrical:

- 3/4 HP continuous heavy duty (TEFC) motor.
- Pistol grip On/Off mechanical Start/Stop switch with 1/2" conduit connection.

Plumbing:

- 1/2" single handle faucet "hot only" included.
- 1 1/2" inside diameter ball valve drain provided.
- 11 gallon wash tank capacity.

Operational:

- (2) removable stainless steel wash tank baskets included.
- 600GPM Recirculation wash flow rate.

Warranty:

- Three years parts and labor warranty. (Domestic only)

Specify Desired Electrical Service

Electrical Connection: 1/2" Conduit connection in PS-50 pistol grip mechanical Start/Stop control box.

- 3/4 HP 208/230 Single Phase 5.2/4.8 Full Load Amps.

For international availability contact Power Soak Systems.

Options

- Additional wash tank baskets. Specify number of baskets here _____.
- Splash guard.
- Aluminum basket inserts for tarnish control on silverplate or sterling silverware. (Box of 2)

Considerations

Electrical:

- Hardwire electrical connection needed.
- 1/2" conduit connection required.

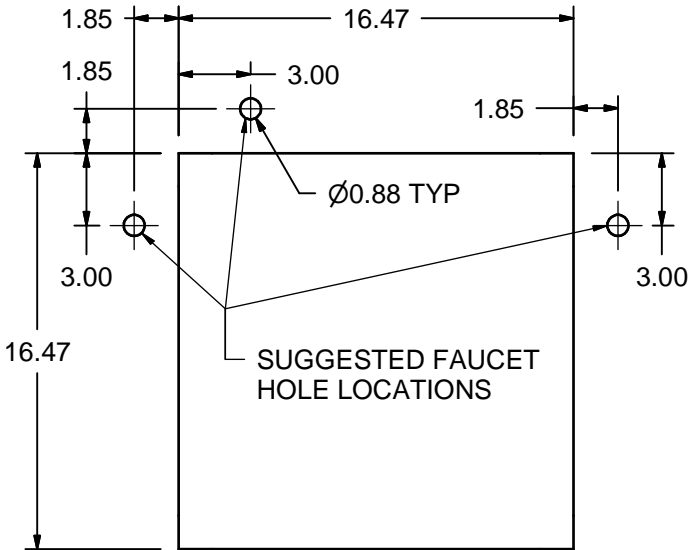
Plumbing:

- 1/2" hot water supply line needed for fill source.
- 1 1/2" drain line connection.

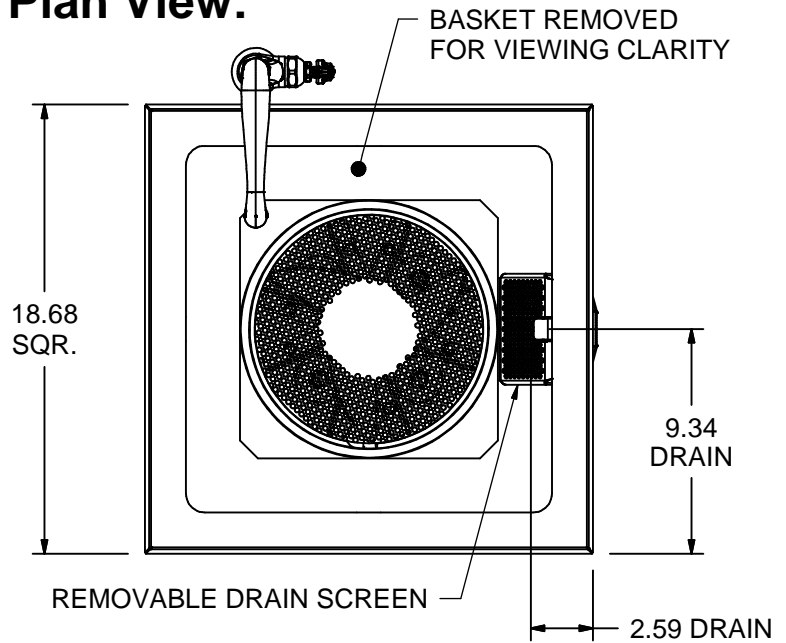
Operational:

- Low foaming, enzyme based chemical recommended for optimal washing results.

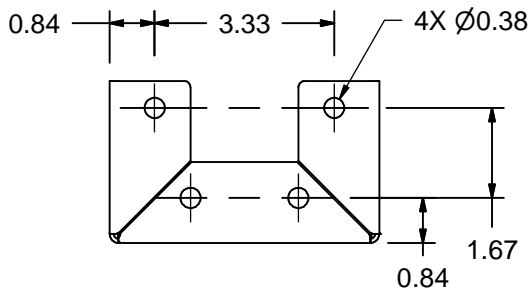
Table Cutout Dimensions:



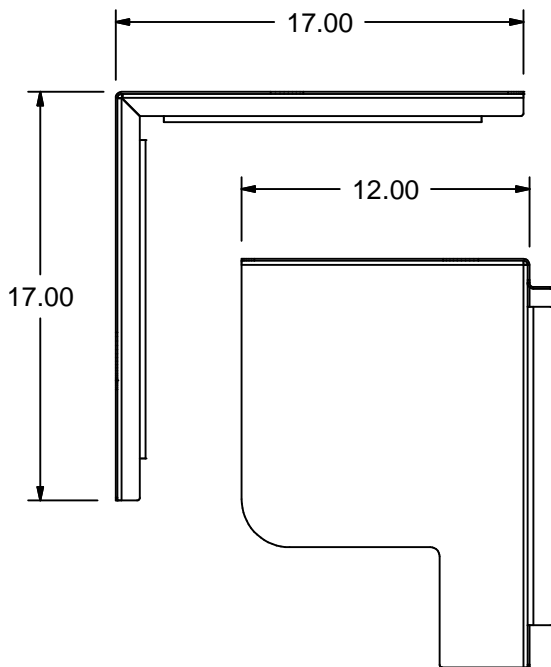
Plan View:



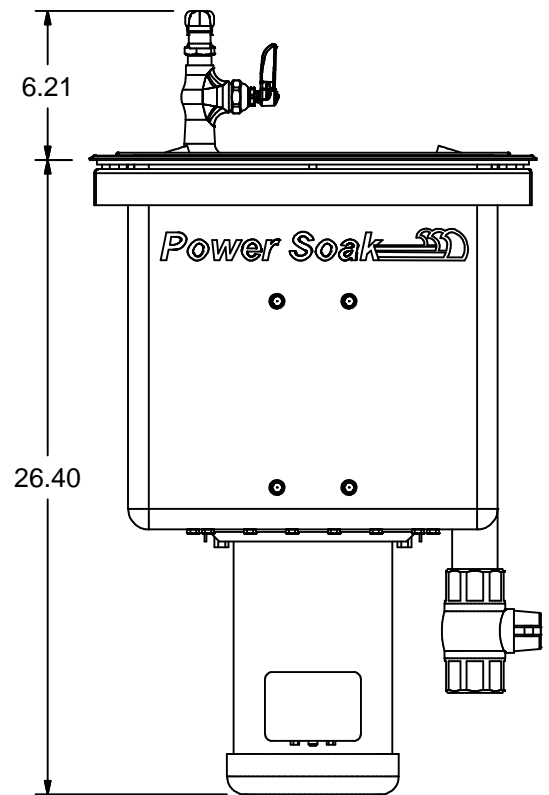
Control Panel Mounting Bracket Dimensions:



Optional Splash Guard:



Elevation View:



Silverware Basket:

