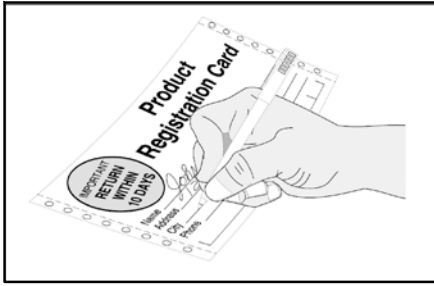


# COMMERCIAL FREEZER/REFRIGERATOR GLASS DOOR REFRIGERATOR

## TABLE OF CONTENTS

Product Registration.....	2
Important Safety Instructions.....	2
Electrical Information.....	3
Caster Installation and Setup (Glass Door).....	3-4
Caster Installation and Setup (Non-Glass Door).....	5-6
Appliance Start-up.....	6
Features.....	6-7
Routine Maintenance.....	7
Energy Conservation Measures.....	7
Troubleshooting Guide.....	8-9
Wiring Diagram.....	10

## Product Registration



These instructions include information which is intended to assure the operator of correct installation, operation and service. Before attempting installation, adjustment or maintenance, be certain of the following:

- That you have read and fully understand the instructions.
- That you have all the tools required and are trained to use them.
- That you have met all installation and usage restrictions and are familiar with the functions and operations of the unit.
- That you follow all instructions exactly as given.

All the fittings, measurements, recommendations and procedures are significant. Substitutions and approximations must be avoided. Improper handling, maintenance, installation and adjustment, or service attempted by anyone other than a qualified technician, may void the future warranty claims and cause damage to the unit and/or result in injury to the operator and/or bystanders.

### Record your Model and Serial Numbers

Record the model number and serial number of this appliance in the space provided below (the serial plate is located inside the cabinet compartment).

Model No.	_____
Serial No.	_____
Installation Date	_____
Invoice Date	_____
Start-up Date	_____
Telephone for Service	_____

### Register Your Product

The self-addressed **PRODUCT REGISTRATION CARD** (shown above) should be filled in completely, signed and returned to the address provided.

## Important Safety Instructions

Read all instructions before using this appliance

### **⚠ WARNING** For Your Safety

Do not store or use gasoline or other flammable vapors and liquids in the vicinity of this unit or any other appliance. Read product labels for flammability and other warnings.

### **⚠ WARNING** Child Safety

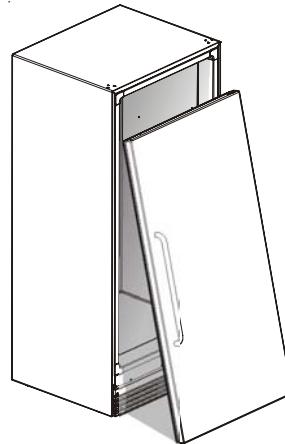
- Destroy carton, plastic bags, and any exterior wrapping material immediately after the appliance is unpacked. Children should never use these items for play. Cartons covered with rugs, bedspreads, plastic sheets or stretch wrap may become airtight chambers and can quickly cause suffocation.
- A child might suffocate if he crawls into the appliance to hide or play. Remove the door/lid of the appliance when not in use, even if you plan to discard the appliance. Many communities have laws requiring you to take this safety precaution.

### Proper Disposal of Appliance

#### **⚠ WARNING** Risk of Child Entrapment

Child entrapment and suffocation are not problems of the past. Junked or abandoned refrigerators or freezers are still dangerous – even if they will sit for “just a few days”. If you are getting rid of your old refrigerator or freezer, please follow the instructions below to help prevent accidents:

- Remove the door.
- Leave shelves in place so children may not easily climb inside.
- Have the refrigerant removed by a qualified technician.

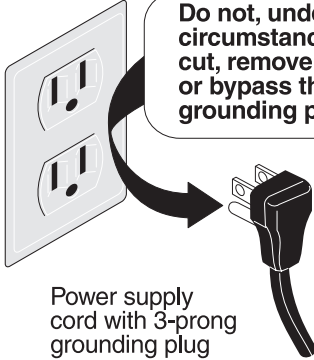


## **⚠ WARNING Electrical Information**

These guidelines must be followed to ensure that safety mechanisms in the design of this appliance will operate properly.

**⚠ WARNING** Avoid fire hazard or electric shock. Do not use an extension cord or an adapter plug. Do not remove any prong from the power cord.

Grounding type wall receptacle



Power supply cord with 3-prong grounding plug

**Do not, under any circumstances, cut, remove, or bypass the grounding prong.**

- **Refer to the serial plate for correct electrical rating.** The power cord of the appliance is equipped with a three-prong grounding plug for protection against shock hazards. It must be plugged directly into its own properly grounded three-prong receptacle, protected with a 15 amp time delay fuse or circuit breaker. The receptacle must be installed in accordance with the local codes and ordinances. Consult a qualified electrician. Receptacles with Ground Fault Circuit Interrupters (GFCI) are **NOT RECOMMENDED. DO NOT USE AN EXTENSION CORD OR AN ADAPTER PLUG.**
- If the voltage varies by 10 percent or more, appliance performance may be affected. Operating the appliance with insufficient power can damage the motor. Such damage is not covered under the warranty. If you suspect your voltage is high or low, consult your power company for testing.
- To prevent the appliance from being turned off accidentally, do not plug the unit into an outlet controlled by a wall switch or pull cord.
- **DO NOT** pinch, knot, or bend the power cord in any manner.

## **⚠ WARNING Other Precautions**

- **NEVER** unplug the appliance by pulling on the power cord. Always grip the plug firmly and pull straight out from the receptacle.
- To avoid electrical shock, unplug the appliance before cleaning.

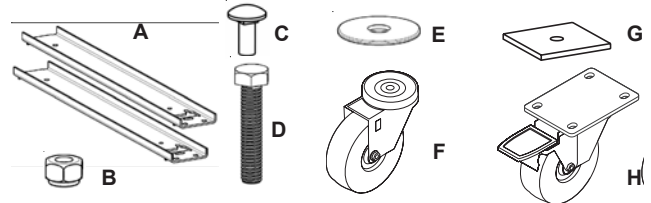
**NOTE:** Turning the control to “OFF” turns off the compressor but does not disconnect power to other electrical components.

## **CASTER INSTALLATION AND SET-UP (Glass Door Only)**

Inspect the underside of the cabinet and packaging for damage such as a fork truck can cause. If hidden damage is found after uncrating, immediately call the delivery carrier and request an inspection. Retain all packaging and crating materials until the inspection is complete.

### **PARTS AND ACCESSORIES**

Check to make sure that you have received the box containing all of the components listed below.



A	CASTER RAIL (2)	E	WASHER (4)
B	LOCKING NUT (8)	F	SPACER PLATE (2)
C	CARRIAGE BOLT (8)	G	SWIVEL CASTER (2)
D	BOLT (4)	H	FIXED CASTER W/ BRAKE (2)

### **TOOLS NEEDED**

You will need the following tools to assemble and install the casters to the unit.



3/8" AND 1/2" INCH SOCKET WRENCH



ADJUSTABLE WRENCH OR PLIERS



1/2" INCH FIXED WRENCH

### **UNCRATING AND SET-UP**

- Remove carton and all loose parts from inside of the unit.
- Carefully tip the unit onto its back with the help of an assistant. Lay the unit gently to rest on blocks to avoid damaging the condensate drain hose and the plastic raceway that covers the evaporator tubing on the back of the cabinet.
- Remove and discard the wood skid from the bottom and the four (4) screws using a 3/8" socket wrench (see Fig. 1).
- Using a large adjustable wrench, remove and discard the two (2) black plastic leg levelers by turning it counterclockwise (see Fig. 2).

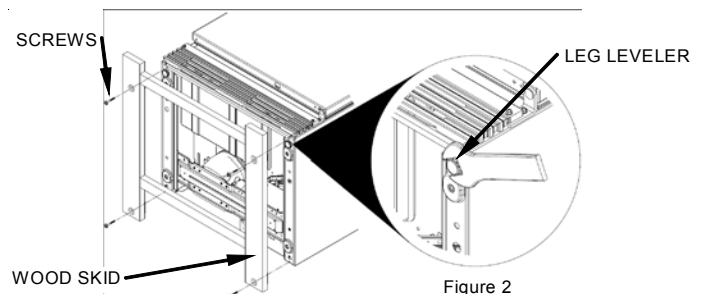


Figure 1

Figure 2

- Remove bottom door support bracket and screw opposite the door hinge using a 3/8" socket wrench (see Fig. 3).

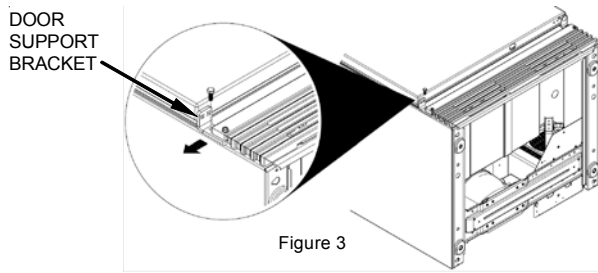


Figure 3

### FRONT FIXED CASTER INSTALLATION

- Put two (2) carriage bolts through the rear (non-brake) side of the fixed caster and hold the carriage bolts loosely in place by threading several turns on each of the locking nuts. Do not tighten the bolts yet.
- Hold the caster in position, insert the carriage bolt heads into slots A & B near the front of the caster rail and slide the caster back.
- Insert the two (2) front carriage bolts thru the top side of the caster rail and then thru the front holes on the caster. Attach locking nuts to each.
- Tighten all locking nuts securely using a 1/2 inch wrench (see Fig. 4).
- Repeat the same procedure for the other fixed caster.

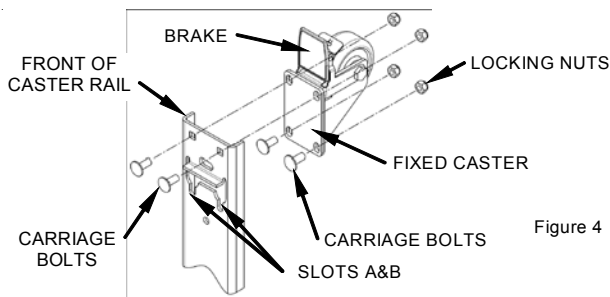


Figure 4

### CASTER RAIL INSTALLATION

- Place a washer onto one of the four long bolts and slide bolt through the hole located just behind the fixed caster at the front of caster rail.
- Align the caster rail assembly with the right hand side of the unit. Make sure the fixed caster is positioned toward the front of the unit.
- Align the bolt with the threaded hole in the front right foot pad of the unit. Thread the bolt into the hole until finger tight (see Fig. 5).

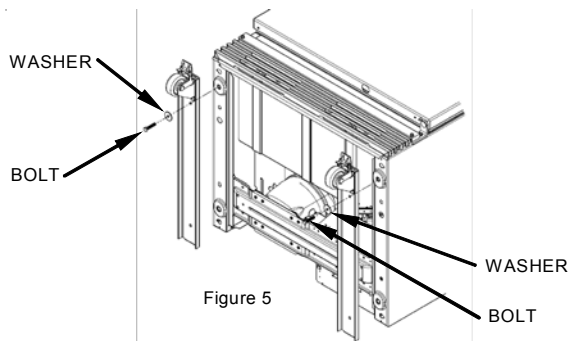


Figure 5

### REAR SWIVEL CASTER INSTALLATION

- Place a washer on one of the four long bolts and then feed the bolt through the hole in one of the swivel casters (see Fig. 6).
- Next, insert that same caster bolt through the hole on the metal spacer plate and then thru the rear hole of the caster rail (see Fig. 7).
- Thread the caster bolt into the hole in the bottom-most foot pad on the unit.
- Tighten both top and bottom bolts securely using a 1/2 inch fixed or socket wrench.
- Repeat the same procedure on the left hand side. After installation, carefully tip the unit up with the help of an assistant.

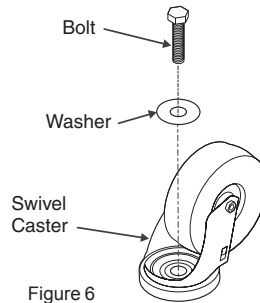


Figure 6

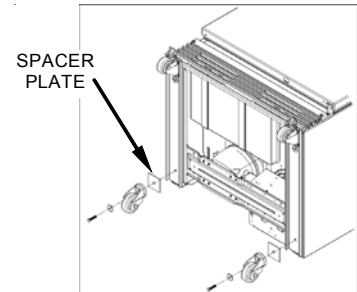


Figure 7

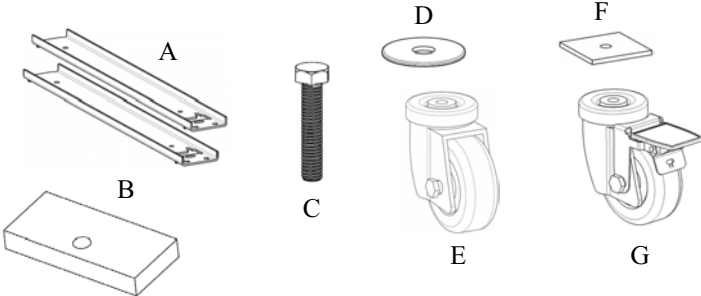
# CASTER INSTALLATION AND SET-UP (NON-GLASS DOOR)

## INSPECTION FOR DAMAGE

Inspect the underside of the cabinet and packaging for damage such as a fork truck can cause. If hidden damage is found after uncrating, immediately call the delivery carrier and request an inspection. Retain all packaging and crating materials until the inspection is complete.

## PARTS AND ACCESSORIES

Check to make sure that you have received the box containing all of the components listed below.



A	CASTER RAIL (2)	E	SWIVEL CASTER (2)
B	TAPPING PLATE (2)	F	SPACER PLATE (4)
C	BOLT (6)	G	SWIVEL CASTER W/ BRAKE (2)
D	WASHER (6)		

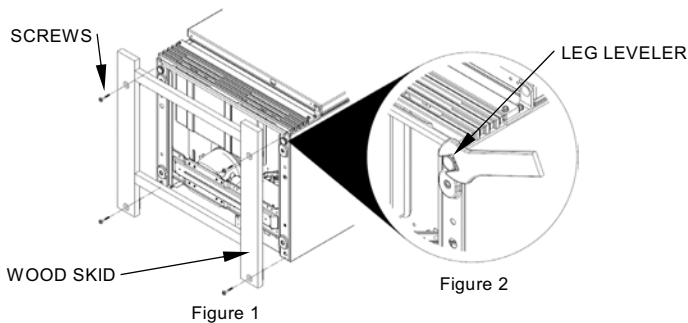
## TOOLS NEEDED

You will need the following tools to assemble and install the casters to the unit.



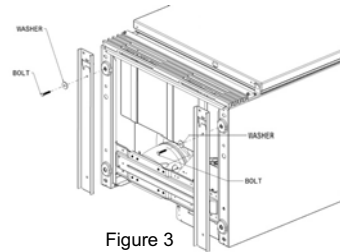
## UNCRATING AND SET-UP

- Remove carton and all loose parts from inside of the unit.
- Carefully tip the unit onto its back with the help of an assistant. Lay the unit gently to rest on blocks to avoid damaging the condensate drain hose and the plastic raceway that covers the evaporator tubing on the back of the cabinet.
- Remove and discard the wood skid from the bottom and the four (4) screws using a 3/8" socket wrench (see Fig. 1).
- Using a large adjustable wrench, remove and discard the two (2) black plastic leg levelers by turning it counterclockwise (see Fig. 2).



## CASTER RAIL INSTALLATION

- Place a washer onto one of the six long bolts and slide bolt through the hole located at the front of caster rail.
- Align the caster rail assembly with the right hand side of the unit.
- Align the bolt with the threaded hole in the front right foot pad of the unit. Thread the bolt into the hole until finger tight (see Fig. 3).



## REAR SWIVEL CASTER INSTALLATION

- Place a washer on one of the six long bolts and then feed the bolt through the hole in one of the swivel casters (see Fig. 4).
- Next, insert that same caster bolt through the hole on the metal spacer plate and then thru the rear hole of the caster rail (see Fig. 5).
- Thread the caster bolt into the hole in the bottom-most foot pad on the unit.
- Tighten both top and bottom bolts securely using a 1/2 inch fixed or socket wrench.
- Repeat the same procedure on the left hand side.

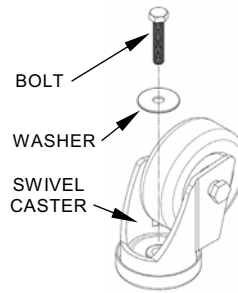


Figure 4

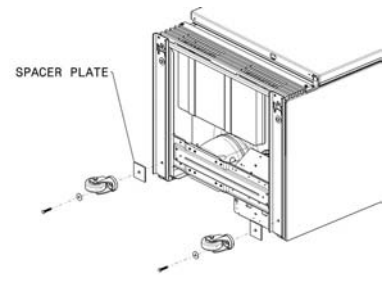


Figure 5

## FRONT SWIVEL CASTER INSTALLATION

- Place the tapping plate between the front bottom of the cabinet and caster rails as depicted in Figure 6. Make sure the tapped holes in the tapping plate align with the center slot in the caster rail.
- Next, place a washer on one of the six long bolts and then feed the bolt through the hole in one of the swivel casters (see Fig. 4).
- Then, place the spacer plate on the caster and thread the caster bolt into the hole in the tapping plate.
- Tighten securely using 1/2" fixed or socket wrench.
- Repeat the same procedure on the left hand side. After installation, carefully tip the unit up with the help of an assistant.

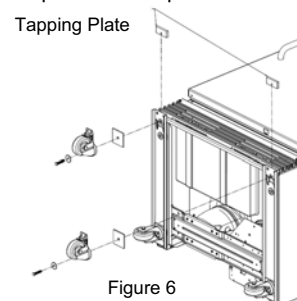


Figure 6

## Appliance Placement

Leave a one (1) inch space on all sides and the back of the cabinet for ease of installation, proper air circulation and electrical connections. **DO NOT block the front grill on the lower front of your appliance.** Sufficient air circulation is essential for the proper operation of your appliance. Choose a place that is near a grounded electrical outlet. For the most efficient operation, the appliance should be located where surrounding temperatures will not drop below 40°F (5°C) or exceed 110°F (43°C). Additional compressor heaters are not recommended.

## Insulation

The insulated space of this cabinet is sealed to maintain peak efficiency. Holes drilled in the cabinet may destroy that seal and damage electrical wiring located in the insulated space.

**DAMAGED ELECTRICAL WIRING OR WET INSULATION CAUSED BY DRILLING WILL VOID THE WARRANTY.**

## Appliance Start-up

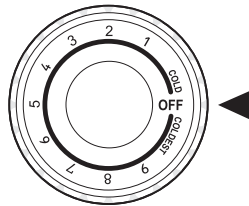
Once the appliance has been located in its permanent location and the proper power and grounding has been provided, the following items must be checked or completed:

### Cool Down Period

For safe food storage, allow 24 hours for the appliance to cool down completely before loading with food. The appliance will run continuously for the first several hours. Do not place any food in the appliance until after the first 24 hours of operation.

### Thermostat Setting

The appliance is shipped from the factory with the thermostat set at about the midpoint of the operating range. Adjustments colder or warmer can be made after the appliance has been running for at least 8 hours. Allow at least 8 hours for temperature stabilization before re-adjusting the thermostat.



### Defrost Setting

The appliance is designed to defrost automatically every 12 hours. To set the time of defrost, wait until the desired time to defrost. With the notch on the timer knob aligned with the line on the bracket (Fig. A), turn the defrost timer knob clockwise slowly. The timer will click several times, then once loudly, at which point the defrost cycle begins. The timer knob will advance through the defrost cycle, then click loudly at the end of the cycle (Fig. B). The appliance will defrost automatically every 12 hours after the first defrost cycle.

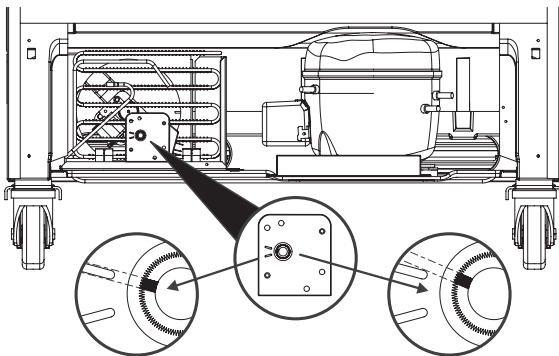


Fig. A

Position of knob before turning clockwise to start defrost cycle (First click)

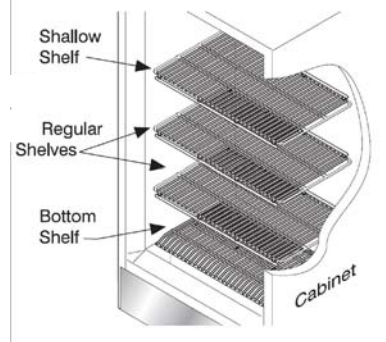
Fig. B

Position of knob at end of defrost cycle (Second click)

## Features

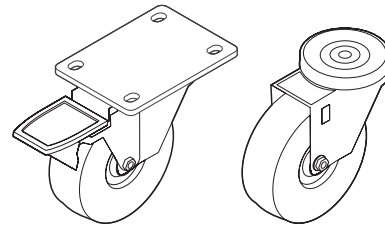
### NSF and FDA Approved Adjustable Shelving

This appliance is provided with **NSF** and **FDA** approved heavy duty epoxy powder coated adjustable shelves. The one with the wires that are angled on the front and back goes on the floor of the cabinet. The others are placed in the adjustable stainless steel shelf supports that clip into the shelf support strips on each side of the interior. Make sure to place the shallow shelf in the upper-most pos



### Front Fixed and Rear Swivel Casters

Glass door unit come with two (2) front fixed casters with brakes and two (2) rear swivel casters. Non-glass door unit comes with two (2) front swivel casters with brakes and two (2) rear swivel casters. The casters allow the appliance to be moved with ease and then locked in position at its desired location.

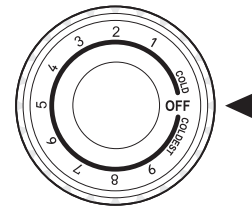


Fixed Caster

Swivel Caster

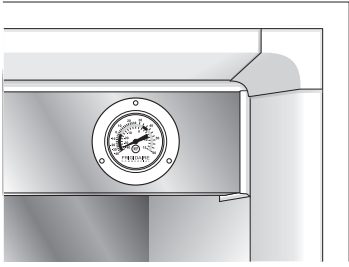
### Adjustable Temperature Control

The adjustable cold control is located on the top left side of the evaporator housing inside the unit. "5" is the medium (recommended) setting and "9" is the coldest setting.



## NSF Certified Temperature Gauge

This appliance is equipped with an **NSF** certified temperature gauge to display cabinet internal temperature. The temperature gauge is located on the top right side of the evaporator housing inside the unit.



## Fluorescent Lamp (Glass Door Models)

The Glass Door Refrigerator is equipped with a 17 watt fluorescent lamp. A ballast – lamp mismatch may result in poor or no lighting.

If the lamp fails, replace with a lamp of the same type and wattage. Also, replace a lamp that flickers continuously. This could damage the ballast.

Turning the light off, when not in use, will save energy. However, frequent ON-OFF cycling will reduce the lamp life.

Use only NSF certified lamp which can be ordered from your Frigidaire Commercial Service Center by calling 1-866-738-1640.

## Interior Light (Stainless Steel Door Models)

The Stainless Steel Door models are equipped with a 40 watt bulb that lights up when the door is opened. If the bulb goes bad, replace with bulb of the same type and wattage. This is a special bulb with a shatterproof coating. Use only an NSF certified bulb of the same type and wattage which can be ordered from your Frigidaire Commercial Service Center by calling 1-866-738-1640.

## Other Features

- NSF Certified top mounted evaporator.
- 2 ½ thick urethane foam cabinet insulation.
- Torsion spring door closer (Glass Door models).
- Stainless steel evaporator housing.
- Removable stainless steel drain cover.
- Heavy duty front grill.
- Heavy duty commercially rated electrical harness.
- Heavy duty removable stainless steel shelf supports.

## Routine Maintenance

### Cleaning the Interior

Be sure to turn the temperature control to “OFF” and unplug the electrical cord. Wash the inside surface of the storage area with warm water and baking soda solution (about one tablespoon of baking soda per quart of warm water). Rinse thoroughly with clean, warm water and wipe dry.

### Cleaning the Exterior

Wipe the cabinet exterior occasionally with a cloth dampened in mild detergent and water. Rinse and wipe dry with a soft cloth. Do not use razor blades or other sharp instruments that can

scratch the appliance surface when removing adhesive labels. Any glue left from the tape can be removed with a mixture of warm water and mild detergent or touch the residue with the sticky side of tape already removed. **DO NOT REMOVE THE SERIAL PLATE.**

## Condensate Pan

Some models have a condensate pan in a fixed position located behind the toe grill. This must not be removed from under the cabinet. If the pan is removed, condensate will drop onto the floor.

## POWER FAILURE

**DO NOT** open the appliance lid unnecessarily if the appliance is off for several hours.

If a power failure occurs, pack seven or eight pounds of dry ice into the appliance every 24 hours. Look in the Yellow Pages under “Dry Ice”, “Dairies”, or “Ice Cream Manufacturers” for local dry ice suppliers. Always wear gloves and use caution when handling dry ice.

## Energy Conservation Measures

This appliance is designed for efficiency with heavy foam insulation. However, there are things that the user can do to maintain the appliance in operating condition.

- Do not operate the appliance any colder than necessary to maintain safe, product storage temperatures.
- Make sure the appliance is located to prevent direct exposure to sunlight, air ducts, etc.
- Keep the door closed except for normal use. Inspect the door often to see that it self-closes and the gaskets are in good condition.
- Do not overstock the product in the cabinet because it will block the normal air flow.
- Have at least annual inspections by a qualified service company to see that the refrigerant charge is correct.
- This appliance operates more efficiently in a cooler ambient than in a hot ambient. Try to maintain an ambient below 80°F (27°C) and 65% RH (Relative Humidity) for maximum efficiency.

## Periods of Non-use and Moving Tips

Leave the appliance operating during periods of non-use of less than three (3) weeks.

## Long Periods of Non-use

If the appliance will not be used for several months:

- Remove all food and unplug the power cord.
- Clean and dry the interior thoroughly.
- Leave the appliance door open slightly, blocking it open if necessary, to prevent odor and mold growth.

## Moving

When moving the appliance, follow these guidelines to prevent damage:

- Disconnect the power cord plug from the wall outlet.
- Remove foods, then defrost, and clean the appliance.
- Secure all loose items such as base panel, baskets, and shelves by taping them securely in place to prevent damage.
- In the moving vehicle, secure appliance in an upright position to prevent movement. Also, protect outside of appliance with a blanket or similar item.

<b>TROUBLESHOOTING GUIDE</b>	Before calling for service, review this list. It may save you time and expense. This list includes common occurrences that are not the result of defective workmanship or materials in this appliance.	
<b>PROBLEM</b>	<b>CAUSE</b>	<b>CORRECTION</b>
<b>APPLIANCE OPERATION</b>		
Appliance does not run.	* Appliance is plugged into a circuit that has a ground fault	* Use another circuit. If you are unsure about the outlet, have it checked by a certified technician.
	* Temperature control is in the "OFF" position.	* See Thermostat Setting.
	* Appliance may not be plugged in, or plug may be loose.	* Ensure plug is tightly pushed into outlet.
	* House fuse blown or tripped circuit breaker.	* Check/replace fuse with a 15 amp time delay fuse. Reset circuit breaker.
	* Power outage	* Check house lights. Call local Electric Company.
Appliance runs too much or too long.	* Room or outside weather is hot.	* It's normal for the appliance to work harder under these conditions.
	* Appliance has recently been disconnected for a period of time.	* It takes 24 hours for the appliance to cool down completely.
	* Large amount of warm or hot food have been stored recently.	* Warm food will cause appliance to run more until the desired temperature is reached.
	* Door is opened too frequently or kept open too long.	* Warm air entering the appliance causes it to run more. Open the door less often.
	* Appliance door may be slightly	* See "Door Problems".
	* Temperature control is set too low.	* Turn control knob to a warmer setting. Allow several hours for the temperature to stabilize.
	* Appliance gaskets are dirty, worn, cracked or poorly fitted.	* Clean or change gasket. Leaks in the lid seal will cause appliance to run longer in order to maintain desired temperature.
Interior appliance temperature is too cold.	* Temperature control is set too low.	* Turn control knob to a warmer setting. Allow several hours for the temperature to stabilize.
Interior appliance temperature is too warm.	* Temperature control is set too warm.	* Turn control knob to a colder setting. Allow several hours for the temperature to stabilize.
	* Door is opened too frequently or kept open too long.	* Warm air entering the appliance causes it to run more. Open the door less often.
	* Appliance door may be slightly	* See "Door Problems".
	* Large amount of warm or hot food have been stored recently.	* Wait until the appliance has had a chance to reach its selected temperature.
	* Appliance has recently been disconnected for a period of time.	* appliance requires 24 hours to cool down completely.
Appliance external surface temperature is warm.	* The external appliance walls can be as much as 30°F warmer than room temperature.	* This is normal while the compressor works to transfer heat from inside the appliance cabinet.
<b>SOUND AND NOISE</b>		
Louder sound levels whenever appliance is on.	* Modern appliances have increased storage capacity and more stable temperatures. They require heavy duty compressors.	* This is normal. When the surrounding noise level is low, you might hear the compressor running while it cools the interior.
Louder sound levels when compressor comes on.	* Appliance operates at higher pressures during the start of the ON cycle.	* This is normal. Sound will level off or disappear as appliance continues to run.
Popping or cracking sound when compressor comes on.	* Metal parts undergo expansion and contraction, as in hot water pipes.	* This is normal. Sound will level off or disappear as appliance continues to run.

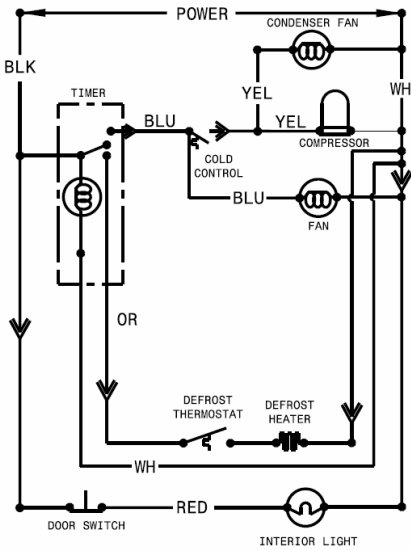


<b>PROBLEM</b>	<b>CAUSE</b>	<b>CORRECTION</b>
<b>SOUND AND NOISE (Cont.)</b>		
Bubbling or gurgling sound	* Refrigerant (used to cool appliance) is circulating	* This is normal.
Vibrating or rattling noise.	* Appliance is not level. It rocks on the floor when it is moved	* Level the appliance by putting wood or metal shims under part of the appliance.
	* Floor is uneven or weak.	* Ensure floor can adequately support appliance. Level the appliance by putting wood or metal shims under part of the appliance.
	* appliance is touching the wall.	* Re-level appliance or move appliance slightly.
<b>WATER / MOISTURE / FROST INSIDE APPLIANCE</b>		
Moisture forms on inside appliance walls.	* Weather is hot and humid, which increases internal rate of frost build-up.	* This is normal.
	* Door is slightly open.	* See "Door Problems".
	* Door is kept open too long or is opened too frequently.	* Open the door less often.
<b>ODOR IN APPLIANCE</b>		
Odors in appliance.	* Interior needs to be cleaned.	* Clean interior with sponge, warm water, and baking soda.
	* Foods with strong odors are in the appliance.	* Cover the food tightly.
<b>DOOR PROBLEMS</b>		
Door will not close.	* Appliance is not level. It rocks on the floor when it is moved slightly.	* Level the appliance by putting wood or metal shims under part of the appliance.
	* Floor is uneven or weak.	* Ensure floor can adequately support appliance. Level the appliance by putting wood or metal shims under part of the appliance.
<b>LIGHTING PROBLEMS</b>		
Light bulb is not on.	* The fluorescent lamp or light bulb is burned out.	* See "Fluorescent Lamp" or "Interior Light" on Features Section.
	* No electric current is reaching the appliance.	* See "appliance Does Not Run".

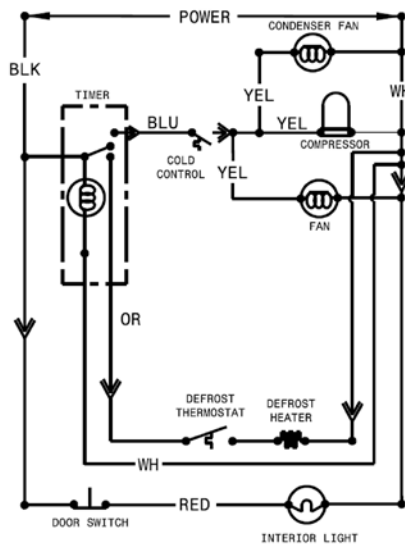
# IMPORTANT SAFETY NOTICE

The information provided herein is designed to assist qualified repair personnel only. Untrained persons should not attempt to make repairs due to the possibility of electrical shock. Disconnect the power cord before servicing.

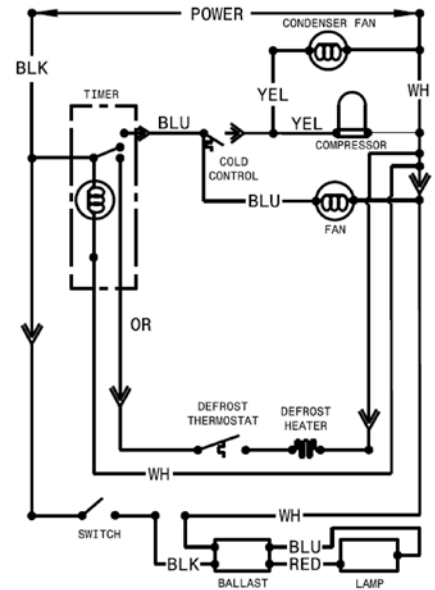
## ELECTRICAL CIRCUIT



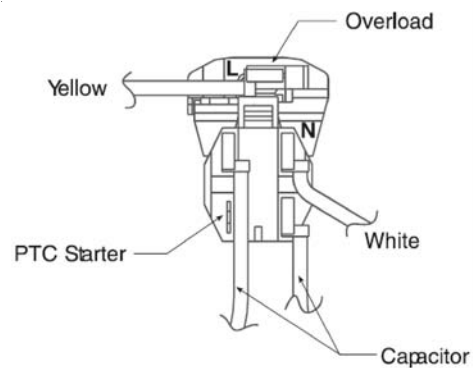
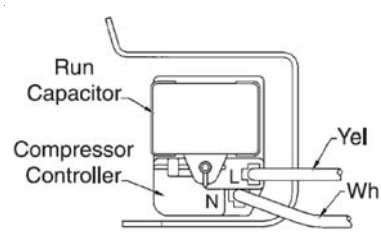
**STAINLESS STEEL DOOR REFRIGERATOR**



**STAINLESS STEEL DOOR FREEZER**



**GLASS DOOR REFRIGERATOR**



## IMPORTANT

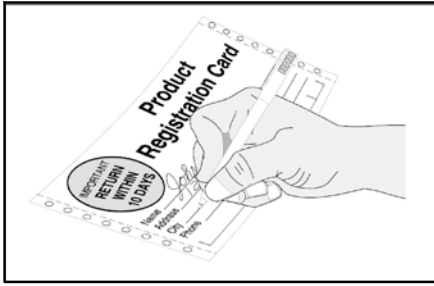
**IF ANY GREEN GROUNDING WIRES ARE REMOVED DURING SERVICING, THEY MUST BE RETURNED TO THEIR ORIGINAL POSITION AND PROPERLY SECURED.**

# CONGELADOR/REFRIGERADOR COMERCIAL REFRIGERADOR CON PUERTA DE VIDRIO

## TABLA DE CONTENIDO

Registro del producto. ....	2
Instrucciones importantes de seguridad .....	2
Información eléctrica .....	3
Instalación y configuración de las ruedas (con puerta de vidrio) .....	3-4
Instalación y configuración de las ruedas (sin puerta de vidrio) .....	5
Encendido del electrodoméstico .....	6
Características .....	6-7
Mantenimiento de rutina .....	7
Medidas de conservación de energía .....	8
Guía de localización y solución de averías .....	9-10
Diagrama de cableado .....	11

## Registro del producto



Estas instrucciones incluyen información proporcionada con el fin de asegurarle al usuario una instalación, funcionamiento y servicio correctos. Antes de intentar realizar la instalación, ajuste o mantenimiento, asegúrese de:

- Haber leído y comprendido completamente las instrucciones.
- Tener todas las herramientas requeridas y el entrenamiento necesario para utilizarlas.
- Haber cumplido con todas las restricciones de instalación y uso y esté familiarizado con las funciones y el funcionamiento de la unidad.
- Seguir todas las instrucciones exactamente como se indica.

Todos los ajustes, medidas, recomendaciones y procedimientos son importantes. Evite realizar sustituciones o aproximaciones. La manipulación, instalación, ajuste o servicio inadecuados realizados por cualquier persona que no sea un técnico calificado puede anular los posibles reclamos de garantía futuros y causar daños a la unidad y/o causar lesiones al operador y/o a otras personas.

### Registre su modelo y números de serie

Registre los números de modelo y de serie de este electrodoméstico en el espacio que se proporciona a continuación (la placa de serie está ubicada en el interior del congelador).

N.º de modelo \_\_\_\_\_  
N.º de serie \_\_\_\_\_  
Fecha de instalación \_\_\_\_\_  
Fecha de compra \_\_\_\_\_  
Fecha de inicio \_\_\_\_\_  
Número de teléfono  
para obtener servicio \_\_\_\_\_

### Registre su producto

La **TARJETA DE REGISTRO DEL PRODUCTO** dirigida a sí mismo, debe ser llenada en su totalidad, firmada y enviada a la dirección proporcionada.

## Instrucciones importantes sobre seguridad

Lea todas las instrucciones antes de usar este electrodoméstico.

### **ADVERTENCIA** Para su seguridad

No almacene ni utilice gasolina ni otros líquidos o vapores inflamables cerca de éste o cualquier otro electrodoméstico. Lea las etiquetas de los productos sobre la inflamabilidad y otros peligros.

### **ADVERTENCIA** Seguridad de los niños

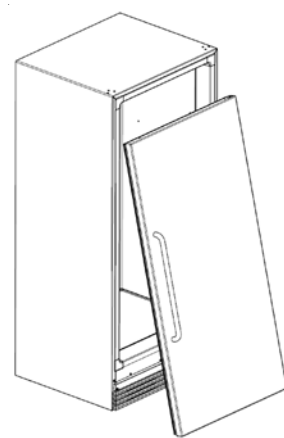
- Destruya inmediatamente la caja de cartón, las bolsas de plástico y cualquier otro material de empaque exterior después de que el electrodoméstico sea desempacado. Los niños nunca deben jugar con estos artículos. Las cajas de cartón cubiertas con alfombras, colchas, hojas de plástico o envolturas elastizadas y cualquier otro material de empaque pueden convertirse en cámaras herméticas y causar asfixia rápidamente.
- Un niño podría asfixiarse si entra en el electrodoméstico para esconderse o para jugar. Retire la puerta/tapa del electrodoméstico cuando no esté en uso, incluso si piensa deshacerse del electrodoméstico. Muchas comunidades cuentan con leyes que lo obligan a tomar esta precaución de seguridad.

### Eliminación adecuada del congelador

#### **ADVERTENCIA** Riesgo de atrapamiento de niños.

El atrapamiento y asfixia de niños no son problemas del pasado. Los refrigeradores o congeladores desechados o abandonados todavía son peligrosos — incluso si se dejan abandonados “sólo por algunos días”. Si se va a deshacer de su refrigerador o congelador usado, siga las instrucciones a continuación para ayudar a prevenir accidentes:

- Retire la puerta.
- Deje las bandejas en su lugar de modo que los niños no puedan entrar con facilidad.
- Solicite a un técnico calificado que retire el refrigerante.



## ⚠️ ADVERTENCIA Información eléctrica

Se deben seguir estas instrucciones para asegurarse de que los mecanismos de seguridad diseñados para este electrodoméstico funcionen correctamente.

**⚠️ ADVERTENCIA** Evite el peligro de incendio o de descarga eléctrica. No use un cordón de extensión ni un adaptador. No retire ninguna clavija del cordón eléctrico.

- **Consulte la placa de serie para obtener la información eléctrica correcta.** El cordón eléctrico está equipado con un enchufe de tres clavijas con puesta a tierra para su protección contra riesgos de choque eléctrico. El mismo debe ser enchufado directamente a su propio tomacorriente de tres alvéolos con puesta a tierra protegido por un fusible de acción retardada o disyuntor de 15 amp. El tomacorriente debe ser instalado de acuerdo con los códigos y reglamentos locales. Consulte a un electricista calificado. **NO SE RECOMIENDA** el uso de tomacorrientes con interruptores de falla de conexión a tierra (GFCI). **NO USE UN CORDÓN DE EXTENSIÓN NI UN ADAPTADOR.**
- Si el voltaje varía en un 10 por ciento o más, el electrodoméstico puede verse afectado. Si el electrodoméstico funciona con energía insuficiente se puede dañar el motor. Este daño no está cubierto por la garantía. Si sospecha que el voltaje del suministro es demasiado alto o bajo, consulte a su compañía eléctrica para que realicen pruebas.
- No enchufe el electrodoméstico a un tomacorriente controlado por un interruptor de pared o por un interruptor de cordón para evitar que el refrigerador sea apagado accidentalmente.
- **NO** presione, anude o doble el cordón eléctrico de ninguna manera.

## ⚠️ ADVERTENCIA Precauciones adicionales

- **NUNCA** desenchufe el electrodoméstico tirando del cordón eléctrico. Siempre sostenga firmemente el enchufe y tire derecho hacia afuera.
- Para evitar choques eléctricos, desenchufe el electrodoméstico antes de limpiarlo.

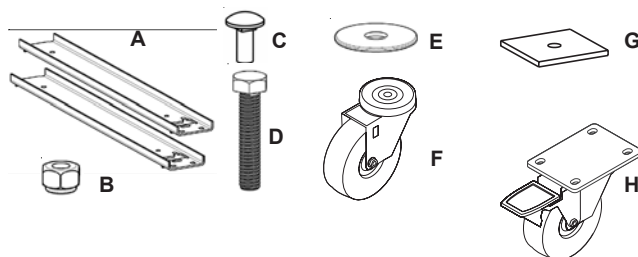
**NOTA:** Si gira el control a la posición "OFF" (apagado), se apagará el compresor, pero no desconectará la corriente a otros componentes eléctricos.

## INSTALACIÓN Y CONFIGURACIÓN DE LAS RUEDAS (sólo con puerta de vidrio)

Inspeccione por debajo del gabinete y el empaque en busca de daños como los que puede causar un montacargas. Si encuentra daños ocultos después de desempacar el producto, llame inmediatamente a la empresa de transporte y solicite una inspección. Conserve todos los materiales de empaque y las cajas de transporte hasta que la inspección haya terminado.

### PIEZAS Y ACCESORIOS

Asegúrese de haber recibido la caja y que esta contenga todas las piezas que se indican a continuación.



A	RIEL PARA RUEDAS (2)	E	ARANDELA (4)
B	TUERCA DE BLOQUEO (8)	F	PLACA ESPACIADORA (2)
C	PERNO DE CARRUAJE (8)	G	RUEDA LIBRE (2)
D	PERNO (4)	H	RUEDA FIJA C/FRENO (2)

### HERRAMIENTAS NECESARIAS

Necesitará las siguientes herramientas para ensamblar e instalar las ruedas en la unidad.



LLAVE DE CUBO DE 3/8" Y DE 1/2"

LLAVE AJUSTABLE OALICATE

LLAVE FIJA DE 1/4"

### DESEMPAQUE E INSTALACIÓN

- Retire la caja de cartón y todas las piezas sueltas del interior de la unidad.
- Acueste cuidadosamente la unidad sobre su parte posterior con la ayuda de otra persona. Descanse la unidad cuidadosamente sobre bloques para evitar dañar la manguera de desagüe de condensación y la cubierta plástica de las tuberías del evaporador en la parte trasera del gabinete.
- Retire y deseche la paleta de madera de la base y los cuatro (4) tornillos usando una llave de cubo de 3/8" (vea la Fig. 1). Usando una llave ajustable grande, retire y deseche las dos (2) patas niveladoras de plástico negro girándolas a la izquierda (vea la Fig. 2).

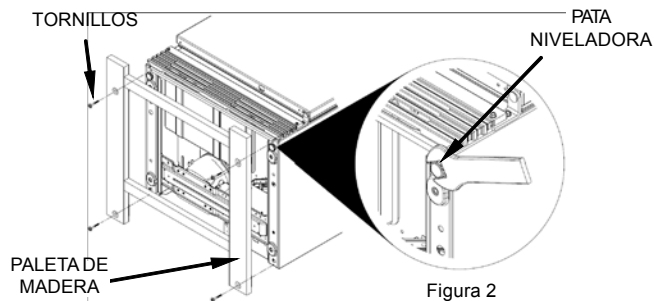
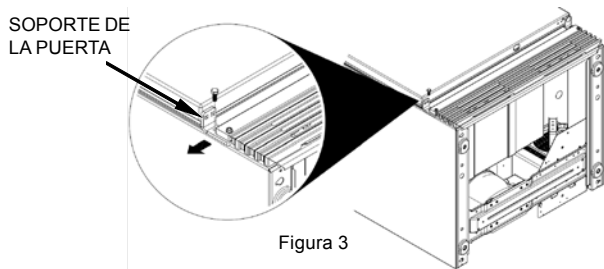


Figura 1

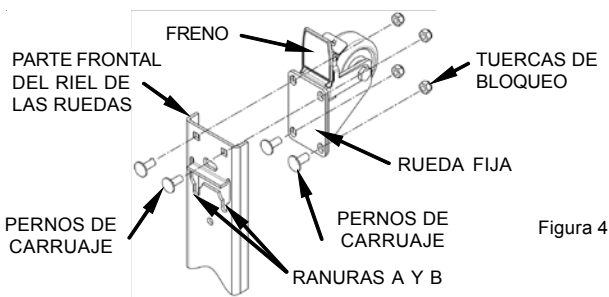
Figura 2

Para los modelos con puerta de vidrio solamente: retire el soporte inferior de la puerta y atorníllelo en el lado opuesto de la bisagra de la puerta usando una llave de cubo de 3/8" (vea la Fig. 3).



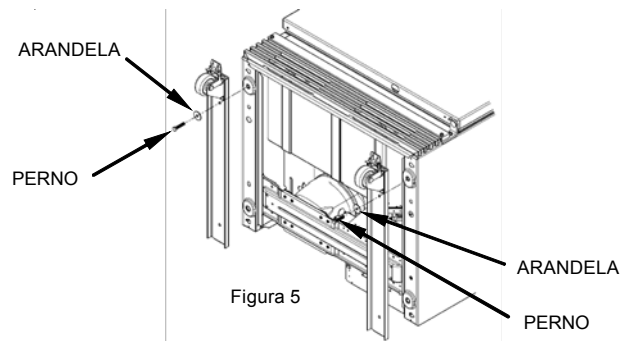
### INSTALACIÓN DE LAS RUEDAS FRONTALES FIJAS

- Coloque dos (2) pernos de carruaje a través del lado trasero (sin freno) de la rueda fija y sostenga los pernos de carruaje holgadamente en su lugar enroscándolos varias vueltas en las tuercas de bloqueo. No apriete los pernos todavía.
  - Sostenga la rueda en su lugar, inserte las cabezas de los pernos de carruaje en las ranuras A y B cercanas a la parte delantera del riel de las ruedas y deslice la rueda hacia atrás.
  - Inserte los dos (2) pernos de carruaje delanteros a través del lado superior del riel de las ruedas y luego a través de los agujeros delanteros de la rueda. Fije las tuercas de bloqueo a cada perno.
- Apriete firmemente todas las tuercas de bloqueo usando una llave de 1/2" (vea la Fig. 4).
- Repita el mismo procedimiento para la otra rueda fija.



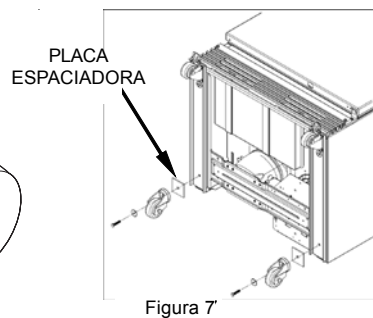
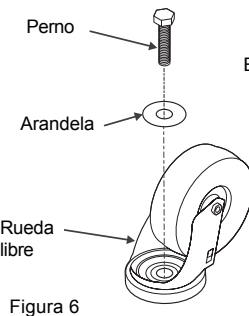
### INSTALACIÓN DEL RIEL PARA LAS RUEDAS

- Coloque la arandela en uno de los cuatro pernos largos y deslice el perno a través del agujero ubicado justo detrás de la rueda fija en la parte delantera del riel de las ruedas.
- Alinee el conjunto del riel de las ruedas con el lado derecho de la unidad. Asegúrese de que la rueda fija esté orientada hacia la parte delantera de la unidad.
- Alinee el perno con el agujero con rosca en la almohadilla de la pata delantera derecha de la unidad. Usando sus manos, enrosque el perno en el agujero hasta que quede apretado (vea la Fig. 5).



### INSTALACIÓN DE LAS RUEDAS LIBRES TRASERAS

- Coloque una arandela en uno de los cuatro pernos largos y luego inserte el perno en el agujero de la rueda libre (vea la Fig. 6).
- Luego inserte el mismo perno de la rueda a través del agujero del espaciador de metal y luego a través del agujero trasero del riel de las ruedas (vea la Fig. 7).
- Enrosque el perno de la rueda en el agujero en la pata inferior de la unidad.
- Apriete firmemente los pernos superior e inferior usando una llave fija o de cubo de 1/2".
- Repita el mismo procedimiento con el lado izquierdo. Después de la instalación, coloque cuidadosamente la unidad en posición vertical con la ayuda de un asistente.



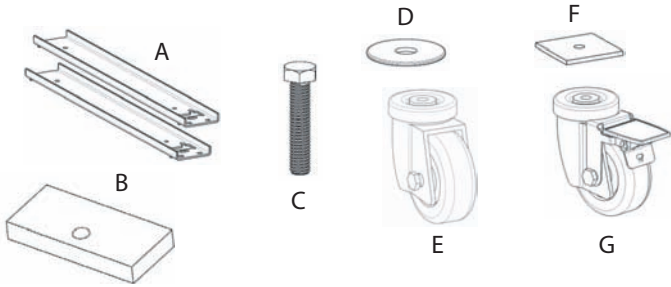
# INSTALACIÓN Y CONFIGURACIÓN DE LAS RUEDAS (SIN PUERTA DE VIDRIO)

## INSPECCIÓN EN BUSCA DE DAÑOS

Inspeccione por debajo del gabinete y el empaque en busca de daños como los que puede causar un montacargas. Si encuentra daños ocultos después de desempacar el producto, llame inmediatamente a la empresa de transporte y solicite una inspección. Conserve todos los materiales de empaque y las cajas de transporte hasta que la inspección haya terminado.

## PIEZAS Y ACCESORIOS

Asegúrese de haber recibido la caja y que ésta contenga todas las piezas que se indican a continuación.



A	RIEL PARA LAS RUEDAS (2)	E	RUEDA LIBRE (2)
B	PLACA ROSCADA (2)	F	PLACA ESPACIADORA (4)
C	PERNO (6)	G	RUEDA LIBRE CON FRENO (2)
D	ARANDELA (6)		

## HERRAMIENTAS NECESARIAS

Necesitará las siguientes herramientas para ensamblar e instalar las ruedas en la unidad.



LLAVE DE CUBO DE 3/8" Y DE 1/2"



LLAVE AJUSTABLE OALICATE



LLAVE FIJA DE 1/2"

## DESEMPAQUE E INSTALACIÓN

- Retire la caja de cartón y todas las piezas sueltas del interior de la unidad.
- Inclíne cuidadosamente la unidad sobre su parte posterior con la ayuda de otra persona. Acueste la unidad cuidadosamente sobre bloques para evitar dañar la manguera de desagüe de condensación y la cubierta plástica de las tuberías del evaporador en la parte trasera del gabinete.
- Retire y deseche la paleta de madera de la base y los cuatro (4) tornillos usando una llave de cubo de 3/8" (vea la Fig. 1).
- Usando una llave ajustable grande, retire y deseche las dos (2) patas niveladoras de plástico negro girándolas a la izquierda (vea la Fig. 2).

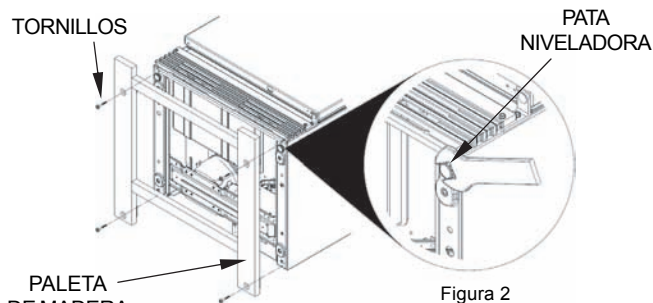


Figura 1

Figura 2

## INSTALACIÓN DEL RIEL PARA LAS RUEDAS

- Coloque una arandela en uno de los seis pernos largos y deslice el perno a través del agujero ubicado delante del riel de las ruedas.
- Alinee el conjunto de rieles de las ruedas con el lado derecho de la unidad.
- Alinee el perno con el agujero con rosca en la almohadilla de la pata delantera derecha de la unidad. Usando sus manos, enrosque el perno en el agujero hasta que quede apretado (vea la Fig. 3).

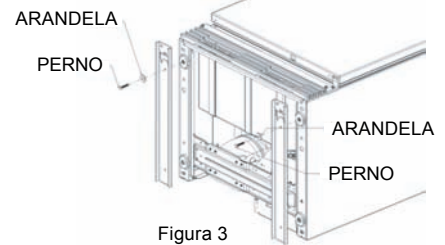


Figura 3

## INSTALACIÓN DE LAS RUEDAS LIBRES TRASERAS

- Coloque una arandela en uno de los seis pernos largos y luego inserte el perno en el agujero de una de las ruedas libres (vea la Fig. 4).
- A continuación, inserte el mismo perno de la rueda a través del agujero del espaciador de metal y luego a través del agujero trasero del riel de las ruedas (vea la Fig. 5).
- Enrosque el perno de la rueda en el agujero en la pata inferior de la unidad.
- Apriete firmemente los pernos superior e inferior usando una llave fija o de cubo de 1/2".
- Repita el mismo procedimiento con el lado izquierdo.

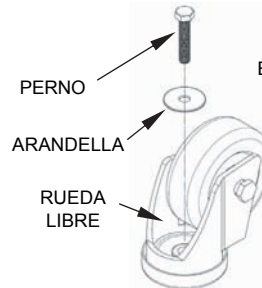


Figura 4

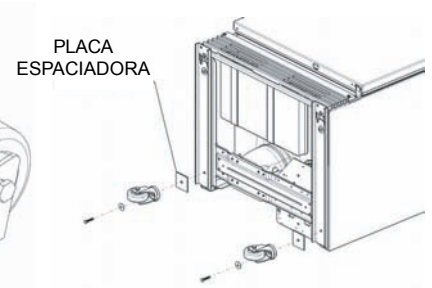


Figura 5

## INSTALACIÓN DE LAS RUEDAS LIBRES FRONTALES

- Coloque la placa roscada entre la parte inferior delantera del gabinete y los rieles de las ruedas, como se muestra en la figura 6. Asegúrese de que los agujeros de la placa roscada se alineen con la ranura del centro del riel de la rueda.
- A continuación, coloque una arandela en uno de los seis pernos largos y luego inserte el perno en el agujero de la rueda libre (vea la Fig. 4).
- Coloque la placa espaciadora en la rueda y enrosque el perno de la rueda en el agujero de la placa roscada.
- Apriete firmemente usando una llave fija o de cubo de 1/2".
- Repita el mismo procedimiento en el lado izquierdo. Después de la instalación, coloque cuidadosamente la unidad en posición vertical con la ayuda de un asistente.

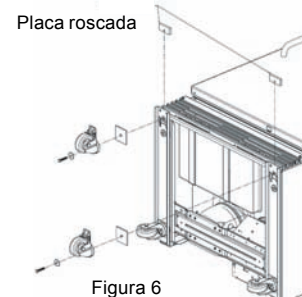


Figura 6

## Colocación del electrodoméstico

Deje un espacio de una (1) pulgada (2,54 cm) en todos los lados y en la parte trasera del gabinete para facilitar la instalación, la conexión del suministro eléctrico y la circulación adecuada del aire. **NO bloquee la rejilla delantera en la parte inferior de la base del electrodoméstico.** Se necesita una circulación adecuada del aire para asegurar un funcionamiento adecuado del electrodoméstico. Elija un lugar que se encuentre próximo a un tomacorriente con conexión a tierra. Para un funcionamiento más eficiente, el electrodoméstico debe ser ubicado donde las temperaturas ambiente no caigan por debajo de los 40°F (5°C) o excedan los 110°F (43°C). No se recomienda el uso de calentadores adicionales para compresores.

## Aislamiento

El espacio de aislamiento en el gabinete está sellado para mantener la mejor eficiencia. Los agujeros taladrados en el gabinete pueden destruir ese sello y dañar el cableado eléctrico ubicado en el espacio de aislamiento.

**LOS DAÑOS CAUSADOS AL CABLEADO O AL AISLAMIENTO POR TALADRADO ANULARÁN LA GARANTÍA.**

## Aislamiento

El espacio de aislamiento en el gabinete está sellado para mantener la mejor eficiencia. Los agujeros taladrados en el gabinete puede destruir ese sello y dañar el cableado eléctrico ubicado en el espacio de aislamiento.

**LOS DAÑOS CAUSADOS AL CABLEADO O AL AISLAMIENTO POR TALADRADO ANULARÁN LA GARANTÍA.**

## Encendido del electrodoméstico

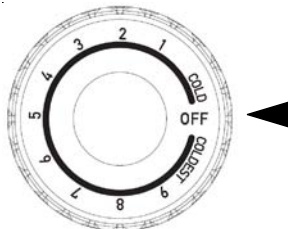
Una vez que el electrodoméstico haya sido colocado en su ubicación permanente y se haya proporcionado el suministro y puesta a tierra adecuados, verifique o complete lo siguiente:

### Período de enfriamiento

Para un almacenamiento seguro de los alimentos, espere 24 horas hasta que el electrodoméstico se enfríe completamente antes de colgar alimentos en su interior. El electrodoméstico funcionará continuamente durante las primeras horas. No coloque alimentos en el electrodoméstico sino hasta después de las primeras 24 horas de funcionamiento.

### Ajuste del termostato

El electrodoméstico es enviado de la fábrica con un termostato ajustado aproximadamente en el punto medio del rango de funcionamiento. Puede reducir o aumentar la temperatura después de que el electrodoméstico haya funcionado durante al menos 8 horas. Espere por lo menos 8 horas hasta que la temperatura se estabilice antes de ajustar el termostato.



### Ajuste de descongelación

Este electrodoméstico está diseñado para descongelarse cada 12 horas. Para programar la activación de la descongelación, espere hasta el momento en que desee descongelar el electrodoméstico. Con la muesca de la perilla del temporizador alineada con la línea del soporte (Fig. A), gire la perilla del temporizador de descongelación lentamente hacia la derecha. El temporizador emitirá varios chasquidos y luego emitirá un chasquido fuerte. Este último chasquido marca el punto en el

que el ciclo de descongelación comienza. La perilla del temporizador avanzará a lo largo del ciclo de descongelación y luego emitirá un chasquido fuerte al final del ciclo (Fig. B). El electrodoméstico se descongelará automáticamente cada 12 horas después del primer ciclo de descongelación.

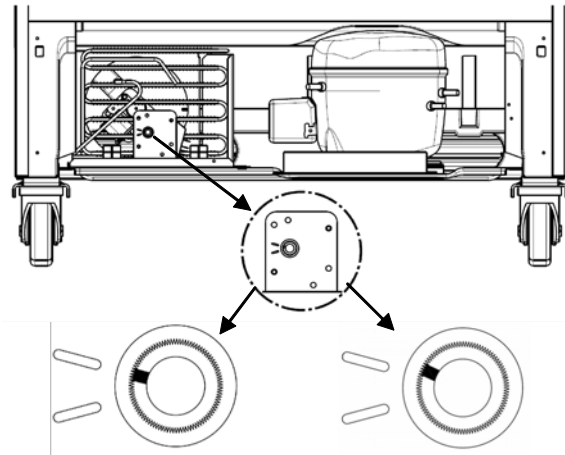


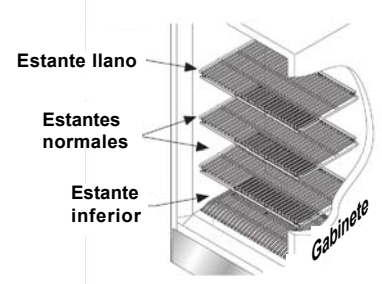
Fig. A  
Posición de la perilla antes de girarla a la derecha para iniciar el ciclo de descongelación (primer tope)

Fig. B  
Posición de la perilla al final del ciclo de descongelación (segundo tope)

## Características

### Estantes ajustables aprobados por la NSF y la FDA

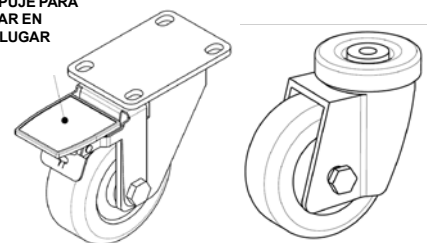
Este electrodoméstico incluye estantes ajustables de alta resistencia recubiertos de epoxi rociado aprobados por la **NSF** y la **FDA**. El estante con los alambres en ángulo en la parte delantera y trasera se debe colocar en el piso del gabinete. Los otros estantes se colocan en los soportes ajustables de acero inoxidable que se enganchan en las cintas de soporte de estantes a cada lado del interior del compartimiento. Asegúrese de colocar el estante llano en la posición superior.



### Ruedas delanteras fijas y traseras libres

La unidad con puerta de vidrio cuenta con dos (2) ruedas delanteras fijas con freno y dos (2) ruedas libres traseras. La unidad sin puerta de vidrio cuenta con dos (2) ruedas delanteras libres con freno y dos (2) ruedas libres traseras. Las ruedas permiten mover el electrodoméstico con facilidad y luego ser fijadas en su lugar en la ubicación final.

EMPUJE PARA FIJAR EN SU LUGAR



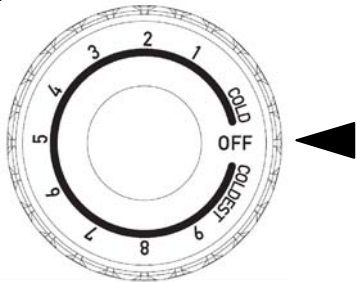
RUEDA FIJA

RUEDA LIBRE



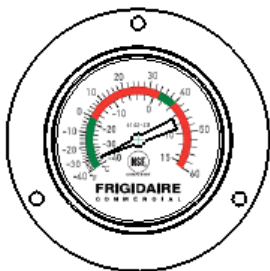
### Control de temperatura ajustable

El control de frío ajustable está ubicado en la parte superior izquierda del alojamiento del evaporador en el interior de la unidad. La posición "5" es el ajuste intermedio (recomendado) y "9" es el ajuste más frío.



### Medidor de temperatura certificado por la NSF

Este electrodoméstico viene equipado con un medidor de temperatura certificado por la NSF para mostrar la temperatura interna del gabinete. El medidor de temperatura está ubicado en la parte superior derecha del alojamiento del evaporador en el interior de la unidad.



### Lámpara fluorescente (modelos con puerta de vidrio)

El refrigerador con puerta de vidrio viene equipado con una lámpara fluorescente de 17 vatios. Si el balastro y la bombilla no concuerdan, el resultado podría ser una iluminación baja o inexistente.

Si la bombilla falla, reemplácela con una bombilla del mismo tipo y vatiaje. También reemplace bombillas que destellan continuamente. Esto podría dañar el balastro.

Si apaga la lámpara cuando no esté en uso ahorrará energía. Sin embargo, si se enciende y se apaga la bombilla con frecuencia se reducirá su vida útil.

Sólo utilice bombillas certificadas por la NSF. Puede obtener estas bombillas de su centro de servicio Frigidaire Commercial llamando al 1-866-738-1640.

### Luz interior (modelos con puerta de acero inoxidable)

Los modelos de acero inoxidable vienen equipados con una bombilla de 40 vatios que se enciende cuando se abre la puerta. Si se daña la bombilla, reemplácela con una bombilla del mismo tipo y potencia. Esta bombilla es de un tipo especial y está recubierta con una capa a prueba de fracturas. Sólo utilice bombillas del mismo tipo y vatiaje certificadas por la NSF. Puede obtener estas bombillas de su centro de servicio Frigidaire Commercial llamando al 1-866-738-1640.

### Otras características

- Evaporador de instalación superior certificado por la NSF.
- Gabinete con aislamiento de espuma de uretano de 2-1/2" de grosor.
- Cerrador de puerta a resorte de torsión (modelos con puertas de vidrio).
- Alojamiento de acero inoxidable para el evaporador.
- Tapa de desgüe removible de acero inoxidable.
- Rejilla delantera de alta resistencia.
- Enchufe eléctrico preformado de alta resistencia de calidad comercial.
- Soportes removibles de alta resistencia de acero inoxidable para estantes.

## Mantenimiento de rutina

### Limpieza del interior

Asegúrese de girar el control de temperatura a la posición "OFF" (apagado) y desenchufe el cordón eléctrico. Lave la superficie interior del área de almacenamiento usando agua tibia y una solución de bicarbonato de sodio (aproximadamente una cucharada de bicarbonato de sodio por cada litro de agua tibia). Enjuague bien con agua tibia limpia y seque con un paño. Este procedimiento también puede ser usado para limpiar las juntas de la puerta. Limpie las placas de acero inoxidable usando el limpiador de acero inoxidable (Magic Clean), pieza número 218490900, el cual puede obtener de su centro de servicio Frigidaire Commercial llamando al 1-866-738-1640, o usando cualquier otro limpiador de acero inoxidable.

### Limpieza del exterior

Limpie ocasionalmente el exterior del gabinete usando un paño humedecido en detergente suave con agua. Enjuague y seque con un paño suave. Limpie la rejilla inferior y la puerta de acero inoxidable usando el limpiador de acero inoxidable (Magic Clean) o cualquier otro limpiador de acero inoxidable. No use hojas de afeitar ni ningún otro instrumento afilado que pueda rayar la superficie del electrodoméstico cuando retire las etiquetas adhesivas. Cualquier residuo de goma que quede de la cinta adhesiva puede ser removido usando una mezcla de agua tibia y detergente suave. También puede tocar el residuo de goma con el lado adhesivo de la cinta que haya retirado. **NO RETIRE LA PLACA DE SERIE.**

### Bandeja de condensación

Algunos modelos cuentan con una bandeja de condensación en una posición fija detrás de la rejilla inferior. Esta bandeja no debe ser removida de debajo del gabinete. Si se retira la bandeja, la condensación caerá sobre el piso.

### FALLA ELÉCTRICA

**NO abra la tapa del congelador sin necesidad si el congelador permanece apagado por varias horas.**

Si ocurre una falla eléctrica, coloque siete u ocho libras (3 o 3,5 kilos) de hielo seco en el congelador cada 24 horas. Puede buscar proveedores de hielo seco en las páginas amarillas bajo "hielo seco", "lecherías" o "heladerías". Siempre use guantes y tenga cuidado cuando manipule hielo seco.

## Medidas de conservación de energía

Este electrodoméstico está diseñado para una gran eficiencia utilizando aislamiento de espuma pesada. Sin embargo, hay ciertas cosas que el usuario puede hacer para mantener el electrodoméstico en buenas condiciones de funcionamiento.

- No haga funcionar el electrodoméstico a una temperatura más fría de lo necesario para mantener temperaturas seguras para el almacenamiento de alimentos.
- Asegúrese de que el electrodoméstico esté instalado en un lugar alejado de los rayos directos del sol, conductos de ventilación, etc.
- Mantenga la puerta cerrada excepto para el uso normal. Inspeccione la puerta con frecuencia para asegurarse de que cierre por sí sola y que las juntas estén en buenas condiciones.
- No sobrecargue el gabinete con productos ya que puede interferir con el flujo normal de aire.
- Haga inspeccionar el producto cada año por una compañía de servicio calificado para asegurarse de que la carga de refrigerante sea la correcta.
- Este electrodoméstico funciona con mayor eficiencia en un ambiente frío que en uno caliente. Trate de mantener una temperatura ambiente por debajo de 80°F (27°C) y 65% de humedad relativa para una máxima eficiencia.

### Períodos de inactividad y sugerencias para la mudanza

Deje el congelador en funcionamiento durante los períodos de inactividad menores de tres (3) semanas.

### Períodos prolongados de inactividad

Si no se va a utilizar el congelador por algunos meses:

- Retire todos los alimentos del refrigerador y desenchufe el cordón eléctrico.
- Limpie y seque el interior del refrigerador completamente.
- Deje la puerta del congelador levemente abierta (y bloquéela de ser necesario) para evitar la acumulación de olores y de moho.

### Mudanza

Cuando mueva el congelador, siga las siguientes recomendaciones para evitar daños:

- Desconecte el enchufe del cordón eléctrico del tomacorriente.
- Retire los alimentos del congelador, luego descongélelo y límpielo.
- Asegure todos los artículos sueltos como el panel de la base, las cestas y los estantes fijándolos con cinta adhesiva para evitar daños.
- En el vehículo de mudanza, asegure el congelador en posición vertical para evitar movimiento. Además, proteja el exterior del congelador con una frazada o un artículo similar.

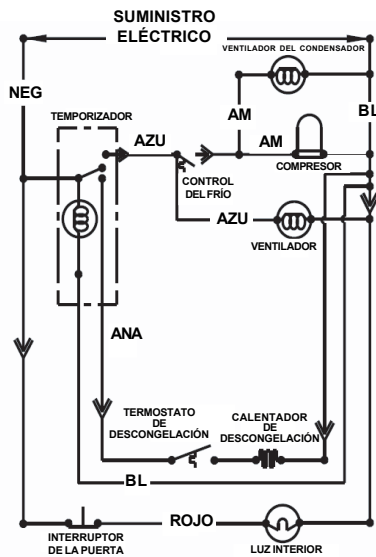
<b>GUÍA DE LOCALIZACIÓN Y SOLUCIÓN DE AVERÍAS</b>		
Antes de solicitar servicio, revise esta lista. Puede ahorrarle tiempo y dinero. Esta lista incluye los incidentes más comunes que no son originados por mano de obra o materiales defectuosos en este electrodoméstico.		
<b>PROBLEMA</b>	<b>CAUSA</b>	<b>CORRECCIÓN</b>
<b>FUNCIONAMIENTO DEL CONGELADOR</b>		
El congelador no funciona.	* El congelador está enchufado a un circuito de interruptor de falla de conexión a tierra.	* Use otro circuito. Si no está seguro sobre el tomacorriente, hágalo revisar por un técnico certificado.
	* El control de temperatura está en la posición "OFF" (apagado).	* Vea la sección de ajuste del termostato.
	* Es posible que el congelador no esté enchufado o que el enchufe esté flojo.	* Asegúrese de que el enchufe esté firmemente conectado al tomacorriente.
	* Se quemó un fusible de la casa o se disparó el disyuntor.	* Verifique o reemplace el fusible con un fusible de acción retardada de 15 amp. Restablezca el disyuntor.
	* Interrupción del suministro eléctrico.	* Verifique las luces del hogar. Llame a su compañía eléctrica.
El congelador funciona demasiado o por demasiado tiempo.	* La temperatura de la habitación o del ambiente es caliente.	* Es normal que el congelador funcione más bajo estas condiciones.
	* El congelador fue desconectado recientemente por un período de tiempo.	* Toma 24 horas para que el congelador se enfríe completamente.
	* Se almacenaron grandes cantidades de alimentos tibios o calientes recientemente.	* Los alimentos tibios harán que el congelador funcione más hasta que se alcance la temperatura deseada.
	* La puerta se mantiene abierta demasiado tiempo o se abre con demasiada frecuencia.	* El aire caliente que entra en el congelador lo hace funcionar más. Abra la puerta con menor frecuencia.
	* La puerta del congelador puede estar levemente abierta.	* Vea el apartado "problemas de la puerta".
	* El control de la temperatura está en un ajuste demasiado bajo.	* Gire la perilla a un ajuste más tibio. Espere varias horas hasta que la temperatura se estabilice.
	* Las juntas del congelador están sucias, gastadas, agrietadas o mal ajustadas.	* Limpie o cambie la junta. Los escapes en el sello de la tapa harán que el congelador funcione más para mantener la temperatura deseada.
La temperatura interna del congelador es demasiado fría.	* El control de la temperatura está en un ajuste demasiado bajo.	* Gire la perilla a un ajuste más tibio. Espere varias horas hasta que la temperatura se estabilice.
La temperatura interna del congelador es demasiado caliente.	* El control de la temperatura está en un ajuste demasiado tibio.	* Gire la perilla a un ajuste más frío. Espere varias horas hasta que la temperatura se estabilice.
	* La puerta se mantiene abierta demasiado tiempo o se abre con demasiada frecuencia.	* El aire caliente que entra en el congelador lo hace funcionar más. Abra la puerta con menor frecuencia.
	* La puerta del congelador puede estar levemente abierta.	* Vea el apartado "problemas de la puerta".
	* Se almacenaron grandes cantidades de alimentos tibios o calientes recientemente.	* Espere hasta que el congelador haya tenido la oportunidad de alcanzar la temperatura seleccionada.
	* El congelador fue desconectado recientemente por un período de tiempo.	* El congelador requiere 24 horas para enfriarse completamente.
La superficie exterior del congelador está tibia.	* Las paredes externas del congelador pueden estar hasta 30°F (16°C) más calientes que la temperatura ambiente.	* Esto es normal mientras el compresor funciona para transferir el calor desde el interior del gabinete del congelador.
<b>SONIDOS Y RUIDOS</b>		
Niveles de sonido más altos cuando el congelador está encendido.	* Los congeladores modernos han aumentado la capacidad de almacenamiento y la estabilidad de las temperaturas. Estos electrodomésticos requieren compresores de alta capacidad.	* Esto es normal. Cuando el ruido del ambiente es bajo, es posible escuchar el compresor en funcionamiento mientras enfría el interior del refrigerador.
Sonidos más duros cuando se enciende el compresor.	* El congelador funciona a presiones mayores durante el inicio del ciclo de ENCENDIDO.	* Esto es normal. El sonido se estabilizará o desaparecerá a medida que el congelador siga funcionando.
Se escuchan ruidos de golpes o chasquidos cuando se enciende el compresor.	* Las piezas de metal se expanden y contraen al igual que en las tuberías de agua caliente.	* Esto es normal. El sonido se estabilizará o desaparecerá a medida que el congelador siga funcionando.

<b>PROBLEMA</b>	<b>CAUSA</b>	<b>CORRECCIÓN</b>
<b>SONIDOS Y RUIDOS (cont.)</b>		
Ruido burbujeante o gorgoteante, como de agua hirviente.	* El refrigerante (usado para enfriar el congelador) circula a través del sistema.	* Esto es normal.
Ruido de vibración o traqueteo.	* El congelador está desnivelado. Se balancea en el piso cuando se mueve levemente.	* Nivele el congelador colocando cuñas de madera o metal debajo de parte del congelador.
	* El piso está desnivelado o endeble.	* Asegúrese de que el piso pueda soportar adecuadamente el congelador. Nivele el congelador colocando cuñas de madera o metal debajo de parte del congelador.
	* El congelador está haciendo contacto con la pared.	* Vuelva a nivelar el congelador o muévelo levemente.
<b>AGUA/HUMEDAD/ESCARCHA DENTRO DEL CONGELADOR</b>		
Se acumula humedad dentro de las paredes interiores del congelador.	* El clima es cálido y húmedo, lo que aumenta la tasa interna de acumulación de escarcha.	* Esto es normal.
	* La puerta está levemente abierta.	* Vea el apartado "problemas de la puerta".
	* La puerta se mantiene abierta demasiado tiempo o se abre con demasiada frecuencia.	* Abra la puerta con menor frecuencia.
<b>OLORES EN EL CONGELADOR</b>		
Olores en el congelador.	* El interior debe ser limpiado.	* Limpie el interior con una esponja, con agua tibia y con bicarbonato de sodio.
	* Hay alimentos con olores fuertes en el congelador.	* Cubra bien los alimentos.
<b>PROBLEMAS DE LA PUERTA</b>		
La puerta no cierra.	* El congelador está desnivelado. Se balancea en el piso cuando se mueve levemente.	* Nivele el congelador colocando cuñas de madera o metal debajo de parte del congelador.
	* El piso está desnivelado o endeble.	* Asegúrese de que el piso pueda soportar adecuadamente el congelador. Nivele el congelador colocando cuñas de madera o metal debajo de parte del congelador.
<b>PROBLEMAS DE ILUMINACIÓN</b>		
La bombilla no enciende.	* La lámpara fluorescente o la bombilla están quemadas.	* Vea el apartado "lámpara fluorescente" o "luz interior" en la sección de características.
	* No llega corriente eléctrica al electrodoméstico.	* Vea la sección "el congelador no funciona".

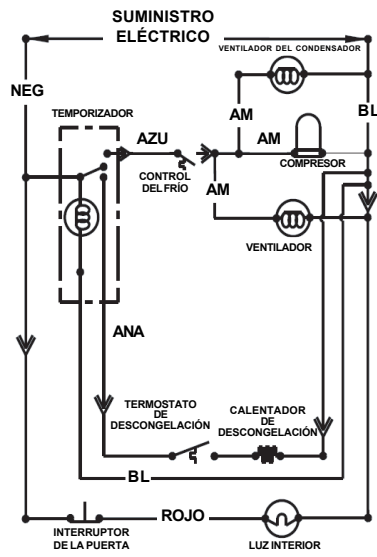
# AVISO IMPORTANTE SOBRE SEGURIDAD

La información proporcionada en este documento está diseñada para ayudar solamente a personal técnico de reparación calificado. El personal que no esté entrenado no debe intentar hacer reparaciones ya que existe el riesgo de sufrir un choque eléctrico. Desconecte el cordón eléctrico antes de realizar servicio.

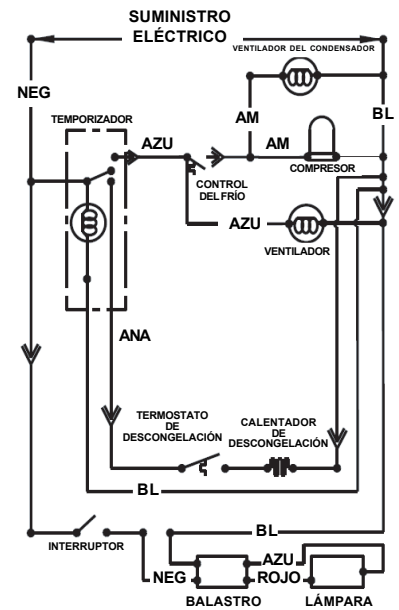
## CIRCUITO ELÉCTRICO



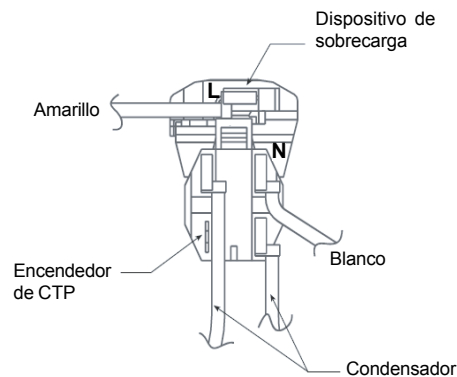
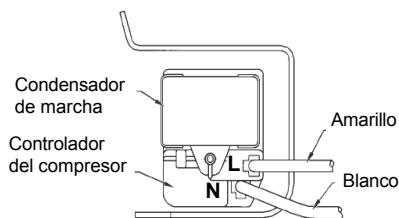
**REFRIGERADOR CON PUERTA DE ACERO INOXIDABLE**



**CONGELADOR CON PUERTA DE ACERO INOXIDABLE**



**REFRIGERADOR CON PUERTA DE VIDRIO**



## IMPORTANTE

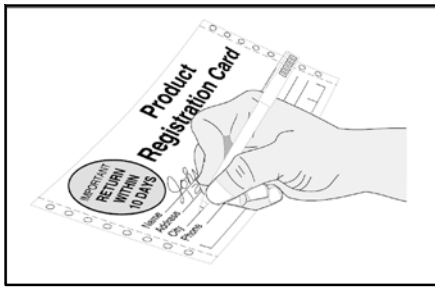
**SI SE RETIRA CUALQUIERA DE LOS CABLES VERDES DURANTE EL SERVICIO, LOS MISMOS DEBEN SER REINSTALADOS CORRECTAMENTE Y ASEGURADOS EN SU POSICIÓN INICIAL.**

# **RÉFRIGÉRATEUR/CONGÉLATEUR COMMERCIAL PORTE DE RÉFRIGÉRATEUR EN VERRE**

## **TABLE DES MATIÈRES**

<b>Enregistrement du produit .....</b>	<b>2</b>
<b>Conseils de sécurité importants .....</b>	<b>2</b>
<b>Électricité .....</b>	<b>3</b>
<b>Installation et réglage des roulettes (porte en verre) .....</b>	<b>3-4</b>
<b>Installation et réglage des roulettes (sans porte en verre) .....</b>	<b>5</b>
<b>Mise en marche de l'appareil .....</b>	<b>6</b>
<b>Caractéristiques .....</b>	<b>6-7</b>
<b>Entretien courant .....</b>	<b>7</b>
<b>Mesures d'économie d'énergie .....</b>	<b>8</b>
<b>Guide de dépannage .....</b>	<b>9-10</b>
<b>Schéma de câblage .....</b>	<b>11</b>

## Enregistrement du produit



Ces instructions contiennent de l'information destinée à garantir à l'utilisateur une installation, un fonctionnement et un entretien appropriés. Avant d'essayer d'installer, d'ajuster ou d'entretenir l'appareil, assurez-vous :

- d'avoir bien lu et compris les instructions.
- d'avoir tous les outils nécessaires et de savoir vous en servir.
- d'avoir respecté les restrictions d'installation et d'utilisation et d'être familier avec les fonctions et le fonctionnement de l'appareil.
- de bien suivre toutes les instructions données.

Tous les raccords, mesures, recommandations et procédures sont importants. Les remplacements et les approximations doivent être évitées. Une manipulation, un entretien, une installation et un ajustement inadéquats ou une réparation effectuée par une autre personne qu'un technicien qualifié peuvent entraîner l'annulation des réclamations au titre de la garantie, endommager l'appareil et/ou blesser l'utilisateur et/ou des autres personnes.

### Notez les numéros de modèle et de série de votre appareil

Notez les numéros de modèle et de série de cet appareil dans l'espace ci-dessous (la plaque signalétique est située à l'intérieur du compartiment congélateur).

N° de modèle \_\_\_\_\_

N° de série \_\_\_\_\_

Date d'installation \_\_\_\_\_

Date de facturation \_\_\_\_\_

Date de mise en marche \_\_\_\_\_

N° de téléphone pour la réparation \_\_\_\_\_

### Enregistrez votre produit

La **CARTE D'ENREGISTREMENT DU PRODUIT** pré-adressée (illustrée ci-dessus) doit être complètement remplie, signée et retournée à l'adresse fournie.

## Importantes mesures de sécurité

Lisez toutes les instructions avant d'utiliser l'appareil.

### **AVERTISSEMENT** Pour votre sécurité

N'entreposez pas ou n'utilisez pas de l'essence ou tout autre vapeur ou liquide inflammable à proximité de cet appareil ou de tout autre appareil électroménager. Lisez les étiquettes de produit concernant les risques d'inflammabilité et autres avertissements.

### **AVERTISSEMENT** Sécurité des enfants

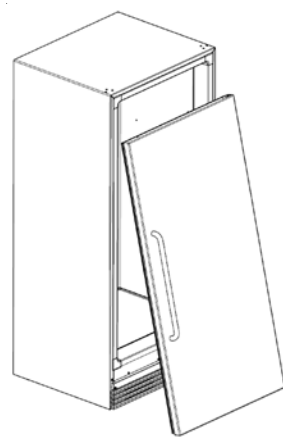
- Détruisez le carton, les sacs en plastique et tout matériau d'emballage externe immédiatement après le déballage de l'appareil. Les enfants ne doivent jamais jouer avec ces articles. Les cartons recouverts de tapis, de couvertures, de feuilles de plastique ou de film étirable peuvent devenir étanches à l'air et rapidement provoquer un étouffement.
- Un enfant pourrait s'étouffer s'il rentre dans l'appareil pour se cacher ou jouer. Retirez la porte/le couvercle de l'appareil lorsqu'il n'est pas utilisé, même si vous avez prévu de le jeter. Beaucoup de communautés ont des lois exigeant que cette mesure de sécurité soit appliquée.

### Mise au rebut appropriée de votre congélateur

### **AVERTISSEMENT** Risques d'enfermement des enfants.

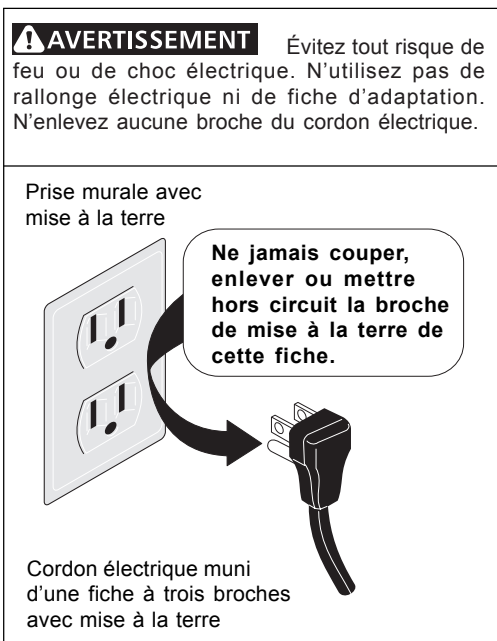
Les risques d'enfermement et de suffocation des enfants ne sont pas des problèmes dépassés. Les réfrigérateurs abandonnés ou mis au rebut sont dangereux, même si ce n'est « que pour quelques jours ». Si vous désirez vous défaire de votre vieux réfrigérateur ou congélateur, veuillez suivre les instructions ci-dessous afin d'aider à prévenir les accidents.

- Retirez la porte.
- Laissez les clayettes en place pour que les enfants ne puissent pas grimper à l'intérieur facilement.
- Demandez à un technicien qualifié d'enlever le réfrigérant.



## **⚠ AVERTISSEMENT** Électricité

Vous devez suivre ces directives pour vous assurer que les mécanismes de sécurité de votre appareil fonctionnent correctement.



- **Reportez-vous à la plaque signalétique pour connaître l'alimentation électrique nominale appropriée.** Le cordon d'alimentation de l'appareil est muni d'une fiche de mise à la terre à trois broches afin de vous protéger contre les chocs électriques. Il doit être branché directement sur sa propre prise à trois alvéoles correctement mise à la terre et protégée par un fusible temporisé de 15 A ou un disjoncteur. La prise murale doit être installée selon les ordonnances et les codes locaux. Consultez un technicien qualifié. Les prises avec disjoncteurs de fuite de terre **NE SONT PAS RECOMMANDÉES. N'UTILISEZ PAS DE RALLONGE ÉLECTRIQUE NI DE FICHE D'ADAPTATION.**
- Si la tension varie de 10 % ou plus, les performances de l'appareil risquent d'être affectées. Utiliser l'appareil sans une alimentation électrique suffisante peut endommager le moteur. Un tel dommage n'est pas couvert par la garantie. Si vous avez l'impression que la tension est trop haute ou trop basse, consultez votre compagnie d'électricité pour une vérification.
- Pour éviter que l'appareil soit accidentellement débranché, ne le branchez pas sur une prise commandée par un interrupteur mural ou un cordon de tirage.
- **NE PINCEZ PAS, NE NOUEZ PAS ou NE PLIEZ PAS** le cordon d'alimentation de quelque manière que ce soit.

## **⚠ AVERTISSEMENT** Autres précautions

- **NE DÉBRANCHEZ JAMAIS** l'appareil en tirant sur le cordon. Tenez toujours la fiche fermement et retirez-la de la prise en la tenant bien droite.
- Pour éviter les chocs électriques, débranchez l'appareil avant de le nettoyer.

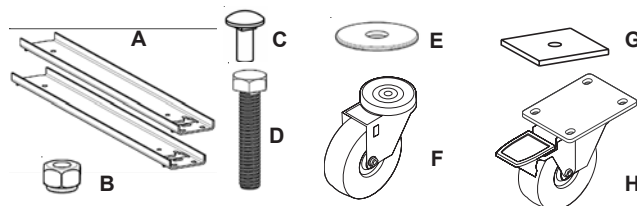
**REMARQUE :** Placer la commande à la position « OFF » (arrêt) permet d'éteindre le compresseur, mais ne coupe pas l'alimentation des autres composants électriques.

## INSTALLATION ET RÉGLAGE DES ROULETTES (Porte en verre seulement)

Inspectez le dessous de la caisse et de l'emballage pour vérifier si l'appareil a subi des dommages, par exemple des dommages causés par un chariot élévateur à fourche. Si vous découvrez un dommage après avoir déballé l'appareil, appelez immédiatement le transporteur livreur et demandez à ce qu'une inspection soit effectuée. Conservez tous les emballages et matériaux d'emballage jusqu'à ce que l'inspection soit terminée.

### PIÈCES ET ACCESSOIRES

Assurez-vous d'avoir reçu la boîte contenant toutes les pièces énumérées ci-dessous.



A	RAIL DE ROULETTE (2)	E	RONDELLE (4)
B	CONTRE-ÉCROU (8)	F	PLAQUE-ENTRETOISE (2)
C	BOULON ORDINAIRE (8)	G	ROULETTE PIVOTANTE (2)
D	BOULON (4)	H	ROULETTE FIXE/FREIN (2)

### OUTILS REQUIS

Vous aurez besoin des outils suivants pour assembler les roulettes sur l'appareil.



CLÉ À DOUILLE DE 3/8 po ET 1/2 po



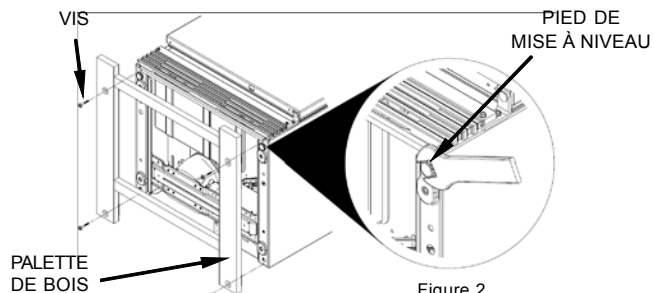
CLÉ À MOLETTE OUP PINCE



CLÉ À OUVERTURE FIXE DE 1/2 po

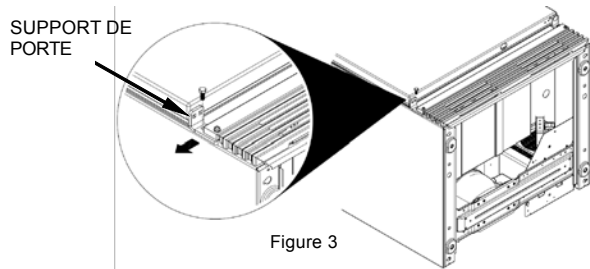
### DÉBALLAGE ET PRÉPARATION

- Retirez le carton et toutes les pièces non fixées de l'intérieur de l'appareil.
- Avec l'aide d'une autre personne, placez l'appareil dos au sol. Couchez l'appareil délicatement de façon à ce qu'il repose sur les blocs pour éviter d'endommager le tuyau de vidange de la condensation et la canalisation en plastique qui recouvre la tuyauterie de l'évaporateur à l'arrière de la caisse.
- Retirez les palettes de bois placées au bas en dévissant les quatre (4) vis à l'aide d'une clé à douille de 3/8 po (Fig. 1). Ces palettes de bois peuvent être jetées.
- Au moyen d'une grosse clé à molette, retirez les deux (2) pieds de mise à niveau en plastique noir en les tournant vers la gauche (Fig. 2), puis jetez-les.



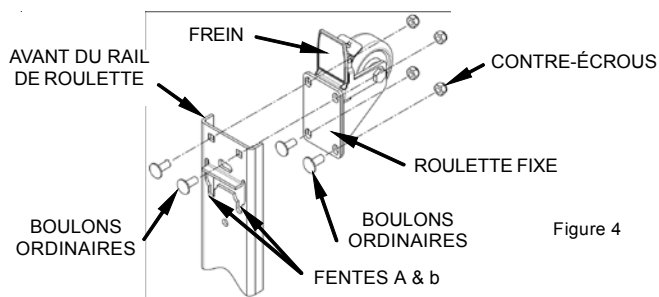


- Retirez le support de porte inférieur et vissez la charnière de porte sur le côté opposé à l'aide d'une clé à douille de 3/8 po (Fig. 3).



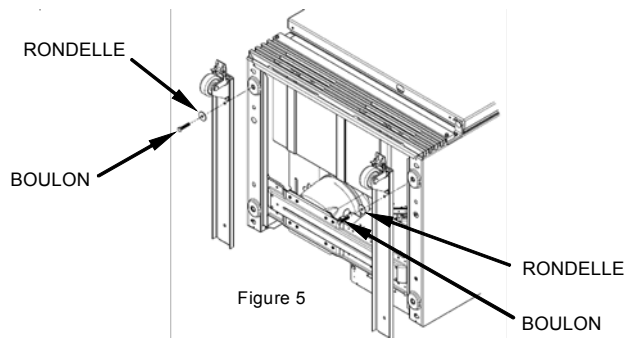
### INSTALLATION DES ROULETTES FIXES AVANT

- Insérez deux (2) boulons ordinaires à l'arrière de la roulette fixe (sans frein) et maintenez-les en place sans les serrer, en les vissant de plusieurs tours chacun sur les contre-écrous. Ne serrez pas les boulons tout de suite.
- Maintenez la roulette en place, insérez la tête des boulons ordinaires dans les fentes A et B situées près de l'avant du rail de roulette et faites glisser la roulette vers l'arrière. Insérez les deux (2) boulons ordinaires avant dans le côté supérieur du rail de roulette, puis dans les trous avant de la roulette. Fixez les contre-écrous sur chacun des boulons.
- Serrez bien tous les contre-écrous à l'aide d'une clé de 1/2 po (Fig. 4).
- Répétez la même procédure pour l'autre roulette fixe.



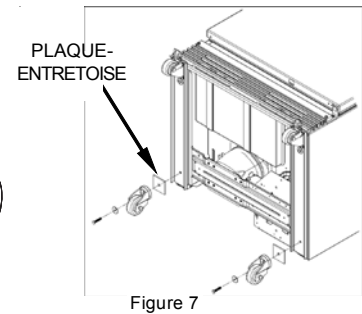
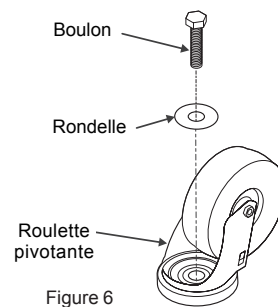
### INSTALLATION DU RAIL DE ROULETTE

- Placez une rondelle sur un des quatre boulons longs et faites glisser le boulon dans le trou situé juste derrière la roulette fixe, à l'avant du rail de roulette.
- Alignez l'assemblage du rail de roulette avec le côté droit de l'appareil. Assurez-vous que la roulette fixe est placée vers l'avant de l'appareil.
- Alignez le boulon avec le trou taraudé dans le pied avant droit de l'appareil. Vissez le boulon dans le trou et serrez avec vos doigts (Fig. 5).



### INSTALLATION DES ROULETTES PIVOTANTES ARRIÈRE

- Placez une rondelle sur l'un des quatre boulons longs et faites passer le boulon dans le trou de l'une des roulettes pivotantes (Fig. 6).
- Ensuite, insérez le même boulon dans le trou de l'espaceur en métal, puis dans le trou arrière du rail de roulette (Fig. 7).
- Vissez le boulon de la roulette dans le trou du pied le plus bas sur l'appareil.
- Vissez bien les écrous inférieur et supérieur à l'aide d'une clé à douille ou d'une clé à ouverture fixe de 1/2 po.
- Répétez la même procédure du côté gauche. Après l'installation, relevez l'appareil avec l'aide d'une autre personne.



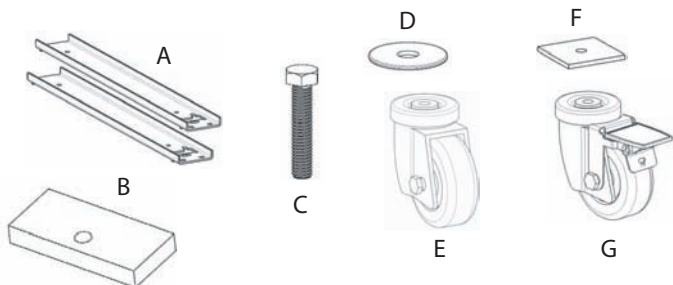
# INSTALLATION ET RÉGLAGE DES ROULETTES (SANS PORTE EN VERRE)

## RECHERCHE DE DOMMAGES

Inspectez le dessous de la caisse et de l'emballage pour vérifier si l'appareil a subi des dommages causés par un chariot élévateur à fourche, par exemple. Si vous découvrez des dommages après avoir déballé l'appareil, appelez immédiatement le transporteur livreur et demandez qu'une inspection soit effectuée. Conservez tous les emballages et matériaux d'emballage jusqu'à ce que l'inspection soit terminée.

## PIÈCES ET ACCESSOIRES

Assurez-vous d'avoir reçu la boîte contenant les pièces et les accessoires avec tous les éléments énumérés ci-dessous.



A	RAILS DE ROULETTE (2)	E	ROULETTES PIVOTANTES (2)
B	PLAQUES DE TARAUDAGE (2)	F	PLAQUES-ENTRETOISES (4)
C	BOULONS (6)	G	ROULETTES PIVOTANTES AVEC FREIN (2)
D	RONDELLES (6)		

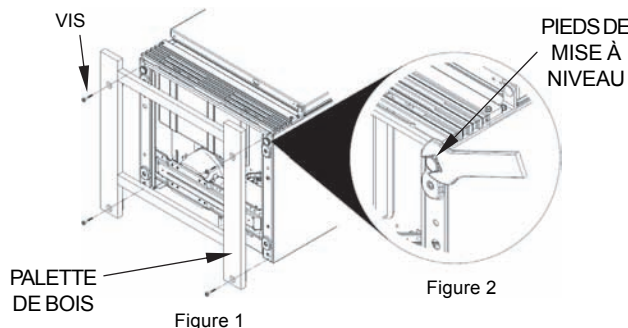
## OUTILS REQUIS

Vous aurez besoin des outils suivants pour assembler les roulettes et les installer sur l'appareil.



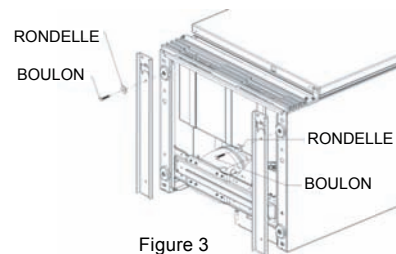
## DÉBALLAGE ET PRÉPARATION

- Retirez le carton et toutes les pièces en vrac de l'intérieur de l'appareil.
- Avec l'aide d'une autre personne, couchez doucement l'appareil sur le dos. Couchez l'appareil délicatement de façon qu'il repose sur des blocs pour ne pas endommager le tuyau de vidange de la condensation et la canalisation en plastique qui recouvre la tuyauterie de l'évaporateur à l'arrière de la caisse.
- Retirez le support de bois placé au bas en dévissant les quatre (4) vis à l'aide d'une clé à douille de 3/8 po (fig. 1), puis jetez le support.
- À l'aide d'une grosse clé à molette, retirez les deux (2) pieds de mise à niveau en plastique noir en les tournant vers la gauche (fig. 2), puis jetez-les.



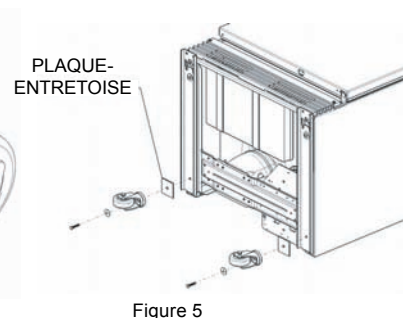
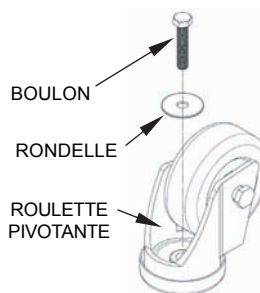
## INSTALLATION DU RAIL DE ROULETTE

- Insérez une rondelle sur l'un des six boulons longs et faites glisser le boulon dans le trou situé à l'avant du rail de roulette.
- Alignez l'assemblage du rail de roulette avec le côté droit de l'appareil.
- Alignez le boulon avec le trou taraudé dans le pied avant droit de l'appareil. Vissez le boulon dans le trou et serrez avec vos doigts (fig. 3).



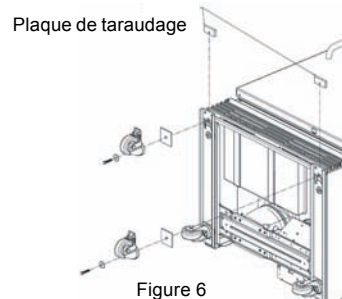
## INSTALLATION DES ROULETTES PIVOTANTES ARRIÈRE

- Placez une rondelle sur l'un des six boulons longs et faites passer le boulon dans le trou de l'une des roulettes pivotantes (fig. 4).
- Ensuite, insérez le même boulon dans le trou de la plaque-entretoise en métal, puis dans le trou taraudé du rail de roulette (fig. 5).
- Vissez le boulon de la roulette dans le trou du pied le plus bas sur l'appareil.
- Serrez bien les boulons inférieur et supérieur à l'aide d'une clé à douille ou d'une clé à ouverture fixe de 1/2 po.
- Répétez la même procédure du côté gauche.



## INSTALLATION DES ROULETTES PIVOTANTES AVANT

- Placez la plaque de taraudage entre la partie avant inférieure de la caisse et les rails de roulette, tel qu'indiqué à la figure 6. Assurez-vous que les trous taraudés de la plaque de taraudage sont alignés avec la fente centrale des rails de roulette.
- Ensuite, insérez une rondelle sur l'un des six boulons longs et faites passer le boulon dans le trou de l'une des roulettes pivotantes (fig. 4).
- Puis, placez la plaque-entretoise sur la roulette et vissez le boulon de la roulette dans le trou de la plaque de taraudage.
- Serrez à l'aide d'une clé à douille ou d'une clé à ouverture fixe de 1/2 po.
- Répétez la même procédure du côté gauche. Après l'installation, relevez doucement l'appareil avec l'aide d'une autre personne.



## Mise en place de l'appareil

Laissez un espace de 2,5 cm (1 po) de chaque côté de la caisse et derrière celle-ci pour faciliter l'installation et les raccordements électriques, et permettre une bonne circulation d'air. **N'OBSTRUEZ PAS la grille avant située sur la partie inférieure avant de votre appareil.** Une circulation d'air adéquate est essentielle au bon fonctionnement de votre appareil. Placez l'appareil près d'une prise électrique mise à la terre. Pour un rendement optimal, votre appareil doit être placé dans un endroit où la température n'est pas inférieure à 5 °C (40 °F) ni supérieure à 43 °C (110 °F). L'installation d'éléments chauffants supplémentaires pour le compresseur n'est pas recommandée.

## Isolation

La zone d'isolation de cette caisse est scellée pour maintenir un rendement optimal. Percer des trous dans la caisse peut affecter cette étanchéité et endommager les câbles électriques situés dans la zone d'isolation.

**LES DOMMAGES AUX CÂBLES ÉLECTRIQUES OU LA MAUVAISE ISOLATION CAUSÉS PAR LE PERÇAGE ANNULERONT LA GARANTIE.**

## Isolation

La zone isolée de cette caisse est scellée pour maintenir un rendement optimal. Des trous percés dans la caisse peuvent supprimer cette étanchéité et endommager les câbles électriques situés dans la zone isolée.

**LES CÂBLES ÉLECTRIQUES ENDOMMAGÉS OU UNE MAUVAISE ISOLATION, CAUSÉS PAR LE PERÇAGE DE TROUS, ANNULERONT LA GARANTIE.**

## Mise en marche de l'appareil

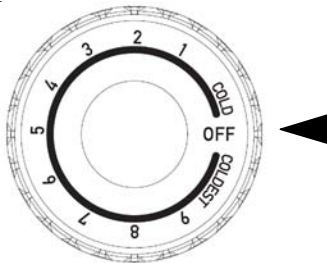
Une fois que l'appareil se trouve dans son emplacement définitif et que l'alimentation et la mise à la terre sont bien appropriées, les éléments suivants doivent être vérifiés ou complétés :

### Période de refroidissement

Pour une bonne conservation des aliments, laissez fonctionner l'appareil pendant 24 heures pour lui permettre de refroidir avant d'y mettre des aliments. Cet appareil fonctionnera en permanence durant les premières heures. Ne placez pas d'aliments dans l'appareil avant les 24 premières heures de fonctionnement.

### Réglage du thermostat

Cet appareil est livré depuis l'usine avec son thermostat réglé à peu près au milieu de la gamme de températures de fonctionnement. Des ajustements plus froids ou plus chauds peuvent être faits une fois que l'appareil a fonctionné pendant au moins 8 heures. Avant de réajuster le thermostat, laissez fonctionner l'appareil au moins 8 heures pour que la température soit stabilisée.



### Réglage du dégivrage

L'appareil est conçu pour effectuer un dégivrage automatique toutes les 12 heures. Pour régler l'heure de dégivrage, attendez jusqu'à l'heure désirée. Avec l'encoche du bouton de la minuterie alignée avec la ligne sur le support (Fig. A), tournez doucement le bouton de la minuterie de dégivrage vers la droite. La minuterie sonnera plusieurs fois, puis, une fois fort, indiquant le début du cycle de dégivrage. Le bouton de la minuterie

avancera pendant le cycle de dégivrage, puis, émettra un son fort à la fin du cycle (Fig. B). L'appareil effectuera un dégivrage automatique toutes les 12 heures après le premier cycle de dégivrage.

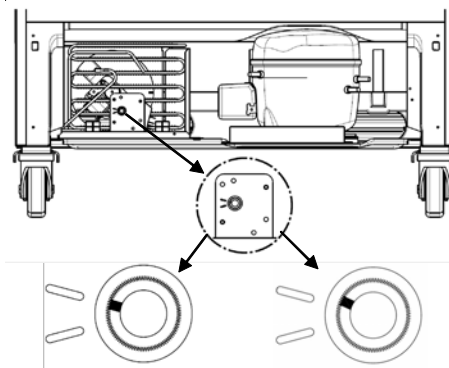
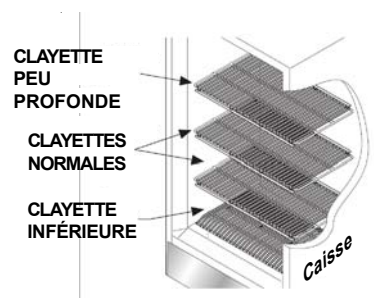


Fig. A Position du bouton avant de tourner vers la droite pour lancer le cycle dégivrage (premier « clic »)  
Fig. B Position du bouton à la fin du cycle de dégivrage (second « clic »)

## Caractéristiques

### Clayettes réglables approuvées par NSF et FDA

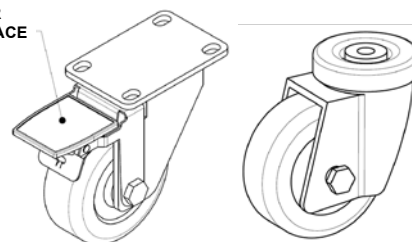
Cet appareil est fourni avec des clayettes réglables robustes ayant un revêtement en poudre époxy approuvées par **NSF** et **FDA**. Celle avec les câbles qui est inclinée à l'avant et à l'arrière se place en bas de la caisse. Les autres clayettes sont placées sur les supports de clayettes réglables en acier inoxydable qui, eux-mêmes, s'enclenchent sur les baguettes des supports de clayettes situées de chaque côté. Assurez-vous de placer la clayette peu profonde à la position la plus haute.



### Roulettes fixes avant et pivotantes arrière

L'appareil avec porte en verre est livré avec deux (2) roulettes fixes avant avec freins et deux (2) roulettes pivotantes arrière. L'appareil sans porte en verre est livré avec deux (2) roulettes pivotantes avant avec freins et deux (2) roulettes pivotantes arrière. Les roulettes permettent à l'appareil d'être déplacé avec facilité et d'être immobilisé à l'emplacement désiré.

POUSSEZ POUR METTRE EN PLACE

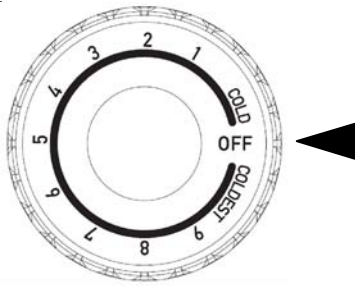


ROULETTE FIXE

ROULETTE PIVOTANTE

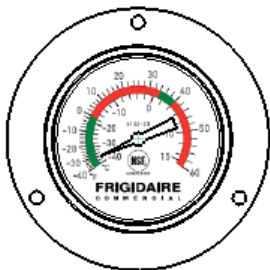
### Commande de température réglable

La commande de refroidissement réglable est située sur la partie supérieure gauche du boîtier de l'évaporateur à l'intérieur de l'appareil. « 5 » est le réglage moyen (recommandé) et « 9 » est le réglage le plus froid.



### Indicateur de température certifié par NSF

Cet appareil est équipé d'un indicateur de température certifié par NSF pour afficher la température à l'intérieur de la caisse. L'indicateur de température est située sur la partie supérieure droite du boîtier de l'évaporateur à l'intérieur de l'appareil.



### Lampe fluorescente (modèles avec porte en verre)

Le réfrigérateur avec porte en verre est équipé d'une lampe fluorescente de 17 watts. Un ballast ou une ampoule inadéquats peuvent entraîner un éclairage faible ou une absence d'éclairage.

Si la lampe grille, remplacez-la avec une lampe du même type et de même puissance. Remplacez également une lampe qui clignote en continu. Ceci pourrait endommager le ballast.

Éteindre la lumière lorsque l'appareil n'est pas utilisé permet d'économiser de l'énergie. Cependant, le fait d'allumer et d'éteindre fréquemment la lampe réduira sa durée de vie.

Utilisez uniquement des lampes certifiées par NSF que vous pouvez commander à votre Centre de service Frigidaire Commercial en téléphonant au 1-866-738-1640.

### Éclairage intérieur (modèles avec porte en acier inoxydable)

Les modèles avec porte en acier inoxydable sont équipés d'une ampoule de 40 watts qui éclaire lorsque la porte est ouverte. Si l'ampoule ne fonctionne plus bien, remplacez-la par une ampoule du même type et de même puissance. Il s'agit d'une ampoule spéciale avec un revêtement incassable. Utilisez uniquement des ampoules de même type et de même puissance certifiées par NSF que vous pouvez commander à votre Centre de service Frigidaire Commercial en téléphonant au 1-866-738-1640.

### Autres caractéristiques

- Évaporateur en haut certifié par NSF.
- Isolation de caisse en mousse d'uréthane de 6,3 cm (2 ½ po) d'épaisseur.
- Ferme-porte à ressort de torsion (modèles avec porte en verre).
- Boîtier de l'évaporateur en acier inoxydable.
- Couvercle amovible en acier inoxydable du tuyau de vidange.
- Grille avant robuste.
- Faisceau électrique robuste de classification commerciale.
- Supports de clayettes robustes, amovibles et en acier inoxydable.

### Entretien courant

#### Nettoyage de l'intérieur

Assurez-vous d'avoir mis la commande de température sur « OFF » (Arrêt) et d'avoir débranché le cordon électrique. Nettoyez la surface intérieure de l'espace de rangement avec de l'eau chaude et de la solution de bicarbonate de soude (environ une cuillerée à soupe de bicarbonate de soude par pinte/1,136 litres d'eau chaude). Rincez soigneusement avec de l'eau propre et chaude et séchez. Cette procédure peut également être utilisée pour nettoyer les joints des portes. Nettoyez les plaques de couvercle en acier inoxydable avec le nettoyant pour acier inoxydable (Magic Clean), numéro de pièce 218490900, que vous pouvez commander à votre Centre de service Frigidaire Commercial en téléphonant au 1-866-738-1640 ou un autre nettoyant pour acier inoxydable.

#### Nettoyage de l'extérieur

Nettoyez l'extérieur de la caisse de temps en temps avec un chiffon trempé dans un mélange d'eau et de détergent doux. Rincez et séchez avec un chiffon doux. Nettoyez la porte et la grille de protection en acier inoxydable avec le nettoyant pour acier inoxydable (Magic Clean) ou un autre nettoyant pour acier inoxydable. N'utilisez pas de lame de rasoir ou tout autre instrument pointu pouvant rayer la surface de l'appareil lorsque vous enlevez les étiquettes adhésives. La colle laissée par le ruban ou les étiquettes peut être enlevée à l'aide d'un mélange d'eau chaude et de détergent doux ou en touchant le résidu de colle avec le côté collant du ruban déjà enlevé. **N'ENLEVEZ PAS LA PLAQUE SIGNALÉTIQUE.**

#### Bac de condensation

Certains modèles ont un bac de condensation à un endroit fixe situé derrière la grille de protection. Il ne doit pas être retiré de sous la caisse. Si le bac est enlevé, la condensation tombera sur le sol.

#### PANNE D'ÉLECTRICITÉ

**N'OUVREZ PAS le couvercle du congélateur sans raison valable si le congélateur est éteint pendant plusieurs heures.**

Si une panne d'électricité se produit, placez 3,2 ou 3,6 kg (7 ou 8 lb) de glace sèche dans le congélateur toutes les 24 heures. Regardez dans les Pages Jaunes sous « Glace sèche », « Laiterie » ou « fabricants de crème glacée » pour obtenir la liste des fournisseurs de glace sèche locaux. Portez toujours des gants et faites preuve de prudence lorsque vous manipulez de la glace sèche.

## Mesures d'économie d'énergie

Cet appareil est conçu pour fonctionner efficacement avec une isolation en mousse épaisse. Cependant, l'utilisateur peut faire certaines choses pour que l'appareil continue à fonctionner correctement.

- Ne faites pas fonctionner l'appareil plus froid que nécessaire afin de maintenir des températures sûres de conservation des produits.
- Assurez-vous que l'appareil est placé de manière à éviter une exposition directe au soleil, aux conduits d'air, etc.
- Maintenez la porte fermée sauf lors d'une utilisation normale. Vérifiez que la porte se referme bien et que les joints sont en bon état.
- Ne rangez pas trop de produit dans la caisse. Cela risquerait de bloquer la circulation normale de l'air.
- Demandez au moins une fois par an à un technicien qualifié d'effectuer une inspection pour vérifier que la charge de réfrigérant est correcte.
- Cet appareil fonctionne mieux dans un environnement où la température ambiante est plus fraîche que dans un environnement où la température ambiante est chaude. Essayez de maintenir une température ambiante en dessous de 27 °C (80 °F) et une HR (Humidité relative) de 65 % pour une efficacité maximale.

### Périodes de non-utilisation et conseils pour les déménagements

Laissez fonctionner le congélateur pendant des périodes de non-utilisation de moins de trois (3) semaines.

#### Longues périodes de non-utilisation

Si le congélateur n'est pas utilisé pendant plusieurs mois :

- Retirez tous les aliments et débranchez le cordon d'alimentation.
- Nettoyez et séchez soigneusement l'intérieur.
- Laissez la porte du congélateur entrouverte et bloquez-la en position ouverte si nécessaire, afin de prévenir les odeurs et l'accumulation de moisissure.

#### Déménagement

Lorsque vous déplacez le congélateur, suivez ces directives afin de prévenir tout dommage :

- Débranchez le cordon d'alimentation de la prise murale.
- Retirez les aliments, effectuez un dégivrage et nettoyez le congélateur.
- Fixez bien toutes les pièces amovibles comme le panneau principal, les paniers et les clayettes avec du ruban pour prévenir tout dommage.
- Dans le véhicule de déménagement, fixez le congélateur en position debout de manière à empêcher tout mouvement. Protégez également l'extérieur du congélateur à l'aide d'une couverture ou d'un objet semblable.

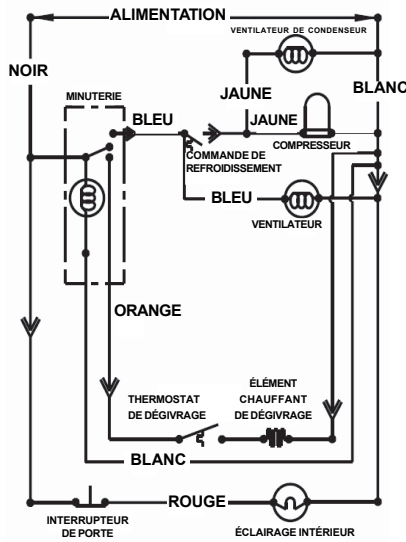
<b>GUIDE DE DÉPANNAGE</b>	Avant de faire appel au service après-vente, consultez cette liste. Elle pourra vous économiser temps et argent. Cette liste décrit des situations courantes qui ne sont causées ni par un défaut de fabrication ni par un matériau défectueux.	
<b>PROBLÈME</b>	<b>CAUSE</b>	<b>SOLUTION</b>
<b> FONCTIONNEMENT DU CONGÉLATEUR</b>		
Le congélateur ne fonctionne pas.	* Le congélateur est branché sur un circuit avec interrupteur de défaut à la terre.	* Utilisez un autre circuit. Dans le doute, faites vérifier la prise par un technicien qualifié.
	* La commande de température est à la position « OFF » (Arrêt).	* Reportez-vous à la section « Réglage du thermostat ».
	* Le congélateur n'est pas branché ou la fiche est lâche.	* Assurez-vous que la fiche est bien branchée sur la prise.
	* Les fusibles domestiques sont grillés ou le disjoncteur du circuit est déclenché.	* Vérifiez/remplacez le fusible temporisé de 15 A. Réinitialisez le disjoncteur du circuit.
	* Panne de courant.	* Vérifiez les lumières de la maison. Téléphonnez à la compagnie d'électricité.
Le congélateur fonctionne trop souvent ou trop longtemps.	* La pièce ou la température à l'extérieur est chaude.	* Il est normal que le congélateur fonctionne plus dans ces conditions.
	* Le congélateur a été récemment débranché pendant un certain temps.	* Le congélateur nécessite 24 heures pour se refroidir complètement.
	* Vous avez ajouté une grande quantité d'aliments chauds récemment.	* Les aliments chauds font fonctionner le congélateur davantage jusqu'à ce qu'il atteigne la température désirée.
	* La porte est ouverte trop fréquemment ou reste ouverte trop longtemps.	* Le congélateur fonctionne davantage si de l'air chaud y pénètre. Ouvrez la porte moins souvent.
	* La porte du congélateur est restée légèrement ouverte.	* Reportez-vous à la section « Problèmes de porte ».
	* La commande de température est réglée à un niveau trop froid.	* Ajustez le bouton de commande à un réglage plus chaud. Laissez plusieurs heures à la température pour qu'elle se stabilise.
	* Les joints du congélateur sont sales, usés, craquelés ou mal ajustés.	* Nettoyez ou changez le joint. Un joint d'étanchéité de couvercle qui fuit fait fonctionner le congélateur plus longtemps afin de maintenir la température désirée.
La température à l'intérieur du congélateur est trop froide.	* La commande de température est réglée à un niveau trop froid.	* Ajustez le bouton de commande à un réglage plus chaud. Laissez plusieurs heures à la température pour qu'elle se stabilise.
La température à l'intérieur du congélateur est trop chaude.	* La commande de température est réglée à un niveau trop chaud.	* Ajustez le bouton de commande à un réglage plus froid. Laissez plusieurs heures à la température pour qu'elle se stabilise.
	* La porte est ouverte trop fréquemment ou reste ouverte trop longtemps.	* Le congélateur fonctionne davantage si de l'air chaud y pénètre. Ouvrez la porte moins souvent.
	* La porte du congélateur est restée légèrement ouverte.	* Reportez-vous à la section « Problèmes de porte ».
	* Vous avez ajouté une grande quantité d'aliments chauds récemment.	* Laissez le temps au congélateur d'atteindre la température sélectionnée.
	* Le congélateur a été récemment débranché pendant un certain temps.	* Le congélateur nécessite 24 heures pour se refroidir complètement.
Les parois externes du congélateur sont chaudes.	* La température des parois externes du congélateur peut excéder la température ambiante de 15 °C (30 °F).	* C'est une situation normale lorsque le compresseur fonctionne pour transférer la chaleur présente à l'intérieur de la caisse du congélateur.
<b> SONS ET BRUITS</b>		
Le congélateur émet des sons plus puissants lorsqu'il fonctionne.	* Les congélateurs modernes offrent plus d'espace de rangement et des températures plus stables. Ils nécessitent des compresseurs robustes.	* Ceci est normal. Si la pièce est silencieuse, vous pouvez entendre le compresseur fonctionner alors qu'il refroidit l'intérieur.
Lorsque le compresseur fonctionne, les bruits sont plus forts.	* Le congélateur fonctionne à des pressions plus hautes au début du cycle de marche.	* Ceci est normal. Les bruits s'atténueront ou disparaîtront alors que le congélateur continue de fonctionner.
Un bruit sec ou un craquement se produit lorsque le compresseur se met en marche.	* Les pièces de métal se dilatent et se contractent, comme le font les tuyaux chauds.	* Ceci est normal. Les bruits s'atténueront ou disparaîtront alors que le congélateur continue de fonctionner.

<b>PROBLÈME</b>	<b>CAUSE</b>	<b>SOLUTION</b>
<b>SONS ET BRUITS (suite)</b>		
Il y a un bruit d'ébullition ou un gargouillement semblable à de l'eau qui bout.	* Le réfrigérant (qui sert à refroidir le congélateur) circule dans le système.	* Ceci est normal.
Il y a un son de crécelle ou de vibration.	* Le congélateur n'est pas de niveau. Il oscille sur le plancher lorsque vous le bougez légèrement.	* Mettez à niveau le congélateur en plaçant des cales en bois ou en métal sous une partie du congélateur.
	* Le plancher n'est pas solide ou n'est pas de niveau.	* Assurez-vous que le plancher peut supporter le poids du congélateur de façon adéquate. Mettez à niveau le congélateur en plaçant des cales en bois ou en métal sous une partie du congélateur.
	* Le congélateur touche le mur.	* Mettez à nouveau le congélateur de niveau ou déplacez-le légèrement.
<b>IL Y A DE L'EAU / DE L'HUMIDITÉ / DU GIVRE À L'INTÉRIEUR DU CONGÉLATEUR</b>		
De l'humidité apparaît sur les parois à l'intérieur du congélateur.	* La température à l'extérieur est chaude et humide, ce qui augmente l'accumulation de givre à l'intérieur de la caisse.	* Ceci est normal.
	* La porte est légèrement ouverte.	* Reportez-vous à la section « Problèmes de porte ».
	* La porte reste ouverte trop longtemps ou est ouverte trop fréquemment.	* Ouvrez la porte moins souvent.
<b>LE CONGÉLATEUR DÉGAGE UNE ODEUR</b>		
Le congélateur dégage des odeurs.	* L'intérieur doit être nettoyé.	* Nettoyez l'intérieur à l'aide d'une éponge, de l'eau chaude et de bicarbonate de soude.
	* Il y a des aliments qui dégagent une forte odeur dans le congélateur.	* Couvrez bien les aliments.
<b>PROBLÈMES DE PORTE</b>		
La porte ne se ferme pas.	* Le congélateur n'est pas de niveau. Il oscille sur le plancher lorsque vous le bougez légèrement.	* Mettez à niveau le congélateur en plaçant des cales en bois ou en métal sous une partie du congélateur.
	* Le plancher n'est pas solide ou n'est pas de niveau.	* Assurez-vous que le plancher peut supporter le poids du congélateur de façon adéquate. Mettez à niveau le congélateur en plaçant des cales en bois ou en métal sous une partie du congélateur.
<b>PROBLÈMES D'ÉCLAIRAGE</b>		
L'ampoule n'est pas allumée.	* La lampe ou l'ampoule fluorescente a grillé.	* Voyez « Lampe fluorescente » ou « Éclairage intérieur » dans la section « Caractéristiques ».
	* L'alimentation électrique de l'appareil est coupée.	* Reportez-vous à la section « Le congélateur ne fonctionne pas ».

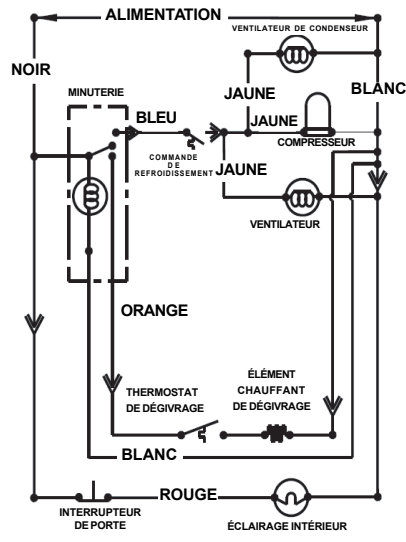
# AVIS IMPORTANT

L'information fournie ici est uniquement destinée à aider le technicien qualifié. Les personnes non qualifiées ne doivent pas essayer d'effectuer des réparations en raison des risques de chocs électriques. Débranchez le cordon électrique avant de réparer l'appareil.

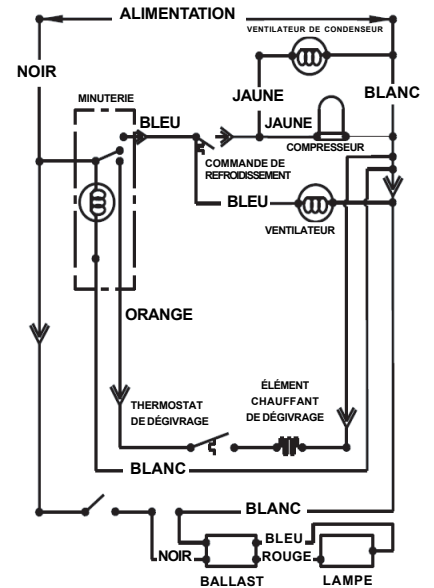
## CIRCUIT ÉLECTRIQUE



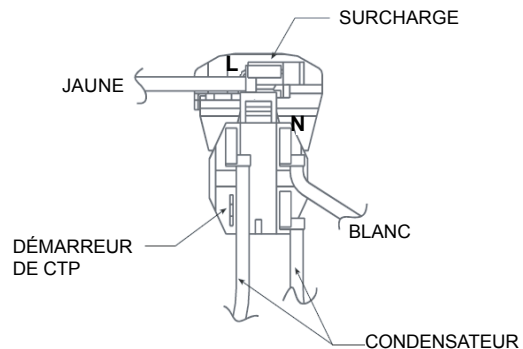
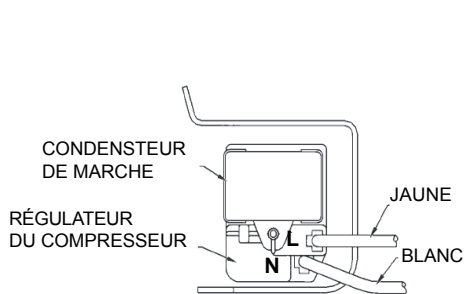
**RÉFRIGÉRATEUR À PORTE EN ACIER INOXYDABLE**



**CONGÉLATEUR À PORTE EN ACIER INOXYDABLE**



**RÉFRIGÉRATEUR À PORTE EN VERRE**



## IMPORTANT

SI DES FILS DE MISE À LA TERRE VERTS SONT RETIRÉS PENDANT LA RÉPARATION, ILS DOIVENT ÊTRE REPLACÉS ET BIEN FIXÉS À LEUR EMBLACEMENT D'ORIGINE.