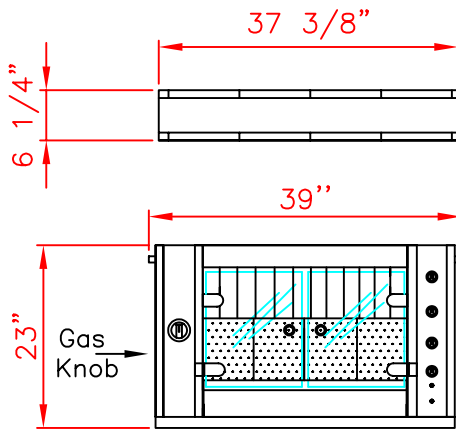
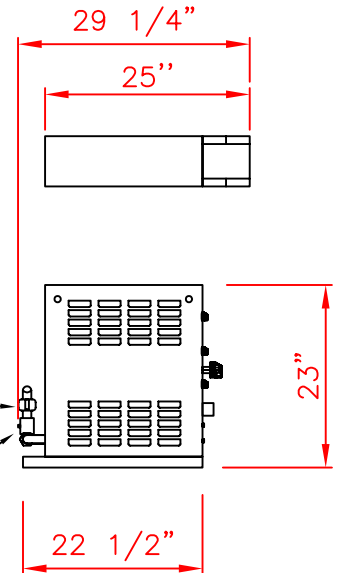


SPECIFICATION ELEGANCE GAS

FRONT VIEW



SIDE VIEW



← **ROOF**
Optional →

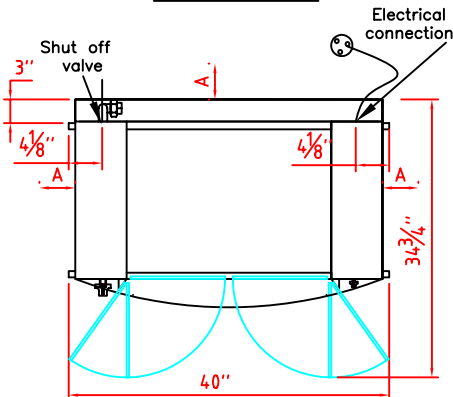
Electrical Connection
220 Volts
Left side (rear)

Shut off valve
(3/4" pipe connection)
Right side (rear)

Master Switch

Regulator

TOP VIEW



A :6" clearance between Gaz Rotisserie & wall

| DIMENSION (inches) | | | | GAS CONNECTION | |
|---|--------|--------|--------|--|---|
| | WIDTH | HEIGHT | DEPTH | - pipe ; 3/4", non corrugated flexible quick disconnect recommended - Consumption : 28,000 Btu/h (natural) 25,000 Btu/h (propane) - Minimum pressure : 7" WC | |
| 1-rotisserie | 39 | 23 | 22 1/2 | ELECTRICAL CONNECTION | |
| 2-roof | 37 3/8 | 6 1/4 | 25 | - Standard : 750 W/ 220V/ 1 phase/ 3.5 Amps 1 Electrical cable : 78" length the plug is not provided | |
| 1+2 | 39 | 29 1/4 | 29 1/4 | WEIGHT | NOTE |
| VENTILATION REQUIREMENTS | | | | - Roof : 40 Lbs - Rotisserie : 288 Lbs - Packing : 50 Lbs | - Nb of motors: 2 - Nb of burners: 1 - Nb of spits: 2 - Nb of glass doors: 2 - Nb of halogen lamps: 1 |
| A type 1 hood is required. Hood and ventilation system could be installed and maintained in accordance with NFPA 96, and all relevant national and local codes. Solid-fuel cooking equipment must be vented separately from equipment that is not fired by solid-fuel. A minimum dimensions enclosure are as follows: 52" width , 42" Depth | | | | | |

NOTE: Specifications, design and features are subject to change without notice.

WARRANTY CONDITIONS :

rotisol warrants its equipment to be free from defects in material and workmanship. the warranty covers parts for one year and labor for 6 months. repairs must be performed by an authorized service company and it is the responsibility of the customer to return the defective parts to rotisol france, inc. within 15 days(otherwise, the warranty will not be honored). the shipping charges for replacement parts, other than ground, will be at the customer's expense. this warranty does not cover glass door breakage and quartz or halogene lamp breakage, neither does it cover a mechanical parts. this warranty does not apply to damages by accident, incorrect line voltage, fire, water, or other acts or god.