

15" Mobile Freezer

Model: SKFI15-ELUS1 115V/60HZ

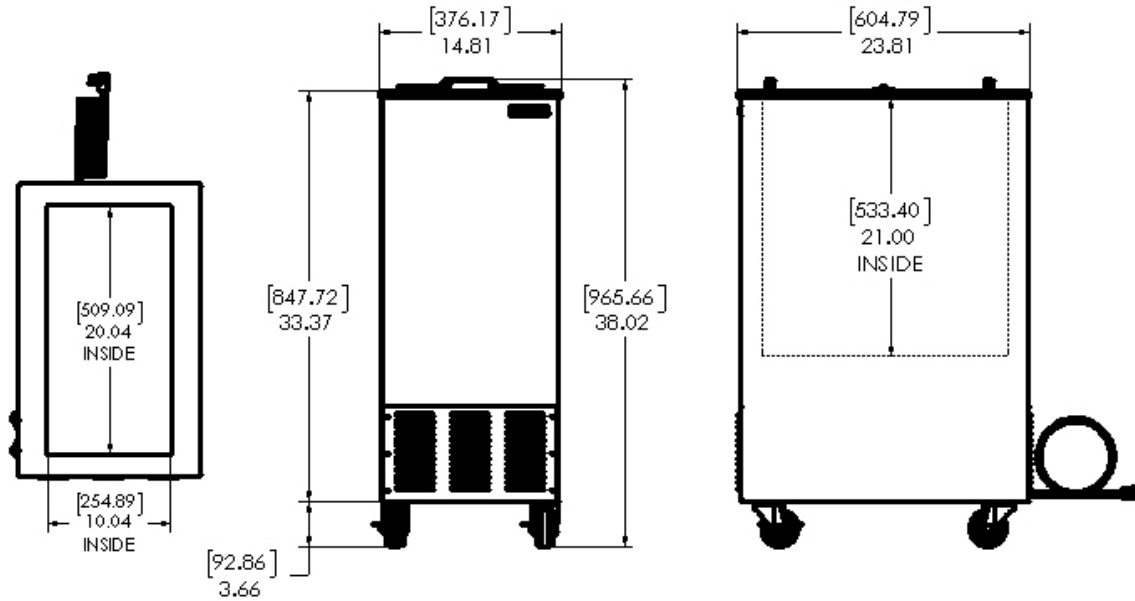


Silver King® is the leader in reliable and energy efficient refrigeration solutions. Our sleek, stainless steel refrigeration equipment is made with the highest quality materials to guarantee everything is kept fresh and meets temperature standards. Our equipment has polyurethane insulation for maximum strength and durability, and minimal energy waste.

Standard Features

- Exterior stainless steel with galvanized bottom reduces risk of corrosion.
- Interior stainless steel, coved corners and finished edges for easy cleaning.
- Environmentally friendly polyurethane foamed-in-place insulation for maximum strength and durability.
- Supplied with four casters (two with locks) for ease of placement.
- Standard 8 foot 3 wire power cord with NEMA 5-15P plug.
- CFE-free, R290 refrigerant, hermetically sealed, high efficiency, self contained refrigeration system with manual defrost.
- Adjustable temperature control mounted in the rear for easy access.
- Lids are insulated and with stainless steel exterior.
- Limited Warranty: 1-year labor, 1-year parts, 5-year compressor (part only), 90-days replacement parts. Warranty is determined by the original equipment manufacturing date for general market.*

Specifications



Dimensions

Model Number	Width in (mm)	Height in (mm)	Depth in (mm)	Gross Shipping Weight lb (kg)	Unit Net Weight lb (kg)	Shipping cu ft (cu m)
SKFI15-ELUS1	14.81 (376.17)	38.02 (965.66)	23.81 (604.79)	125 (56.70)	115 (52.16)	13.61 (.385)

Electrical

Model Number	Country of Origin	Amps	Voltage	Hz	Plug	Refrigerant
SKFI15-ELUS1	USA	2.1	115 VAC	60	NEMA 5-15P	R290

Certifications

