

POWER SOAK

SKEWER SOAK

## Standard Specifications:

- Removable rotating skewer carousel with elastomer clips for easy installation and removal of skewers (Skewers are not sold by Power Soak and not included).
- Skewers are loaded and removed from the skewer carousel while it is in the wash tank.
- Work tray is provided for supporting skewers during rinsing and inspection.
- Wash tank cover and work tray operate in slotted hinges for easy opening or removal.
- 14ga stainless steel, type 304 material used for construction throughout tanks, drain boards, splashes and channel rims.
- Wash Tanks supported by 1-5/8" diameter stainless steel legs with 1 1/4" stainless cross members and adjustable stainless steel bullet feet.
- Low profile wash jets are located every six inches of wash tank.
- Average flow rate per wash jet is approximately 27 gpm.
- Uniform wash action throughout entire volume of the wash tank.
- The skewer carousel rotates in the wash tank for exposing the surfaces of the skewers to the wash jets.
- The skewer carousel does not require a mechanical drive; the fluid flow from the powerful wash jets pushing on the surface of the skewers makes the carousel rotate inside the wash tank.
- Safety switches or cover interlocks are not required because the moving parts in the wash tank are not powered by mechanical drives.
- Stainless steel self draining pump housing and impeller.
- All "wetted" parts are made of non-corrosive materials.
- High quality 3/4" faucet assembly by T&S Brass.
- Rinse sprayer (by T&S Brass) is a high power low flow configuration (1.48 GPM at 60 PSI) for effective removal of loose soils, rinsing of skewers and easy sink cleanup.
- High quality rear-exit stainless steel ball valve drains for 100% drainage.
- 1-1/2" overflow protection drain in the wash tank.
- Passages in the backsplash and 24 VAC power connection for installation of chemical dispenser (Chemical dispenser not provided by Power Soak).

## Standard Specifications (Continued)

- PS-200 solid state control assembly:
  - Includes high and low fluid sensors
  - Provides reliability and longevity
  - Completely waterproof and encapsulated
  - Simplified operator interface
  - Simplified error reporting
- Integrated UPM control module monitors the liquid level sensors to prevent the pump from operating if the wash fluid level is too low. The UPM also has a built-in timer for monitoring sanitize solution use period. Indicator lights on the control module aid in trouble shooting.
- Modular design allows quick and easy access to: motor, pump and all major components.
- Continuous duty, reliable TEFC (Totally Enclosed Fan Cooled) rated motors provided with all pump assemblies.
- Warranty - Three years parts and three year labor warranty (USA only) One year parts and labor warranty for faucet, drains and elastomer clips. One year parts warranty (export).

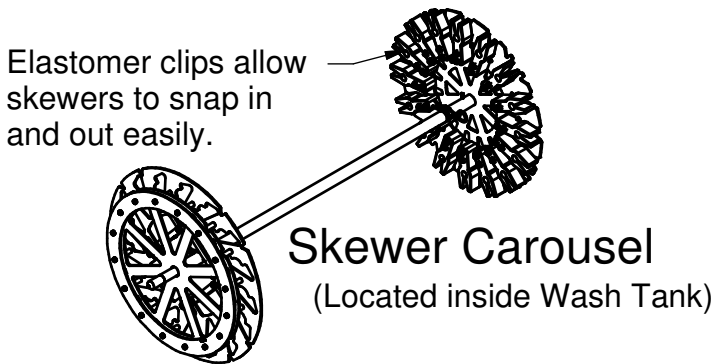
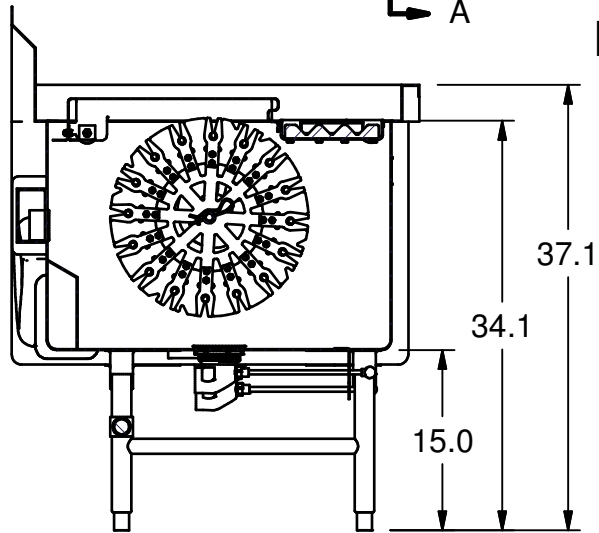
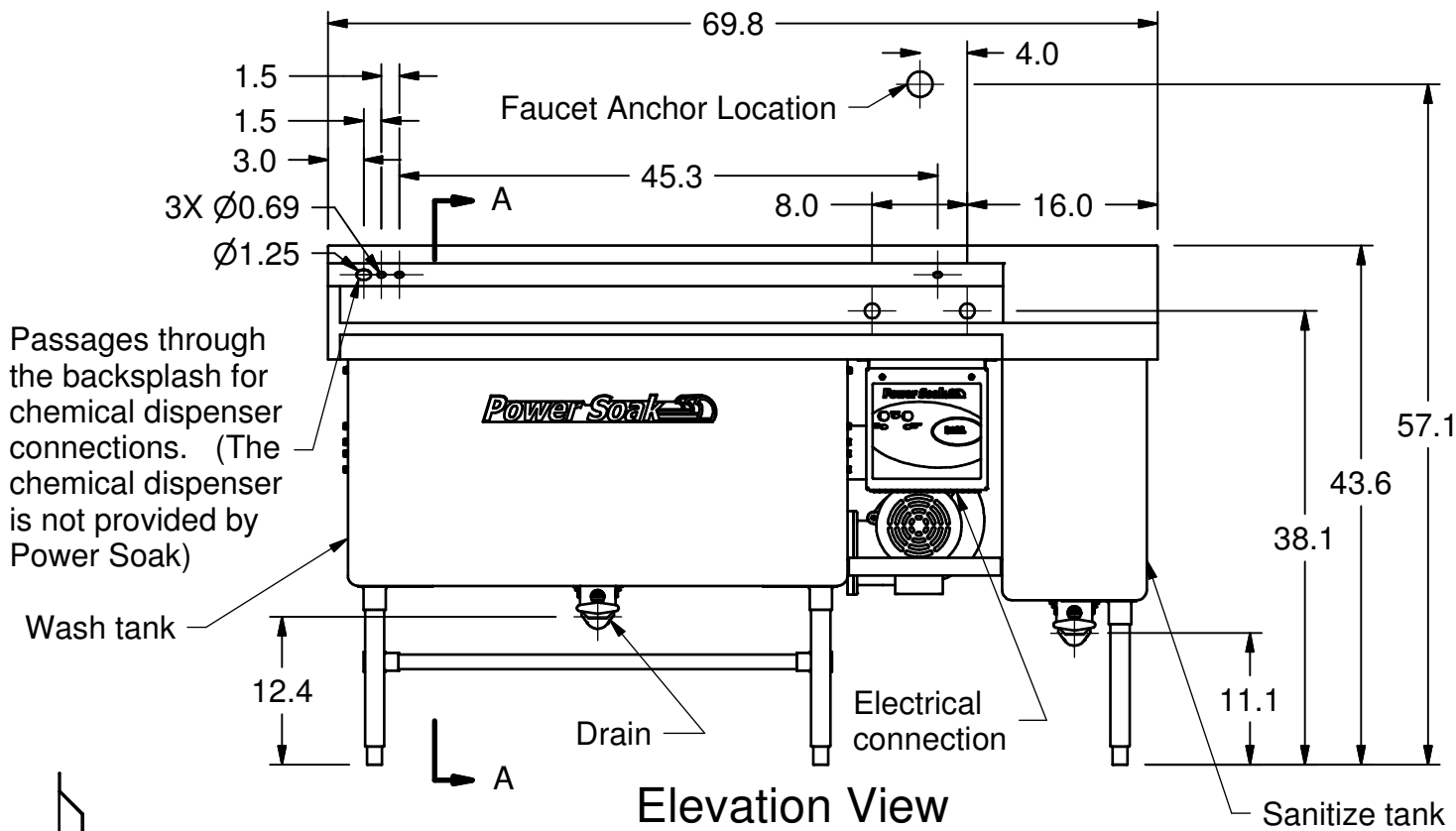
## Shipping Information

- Sinks ship as one piece; legs, faucet and drains to be installed after uncrating.
- Shipping weight: 430lbs
- Shipping cube: 60 cu.ft.

## Specify Desired Electrical Service

**Electrical Connection:** PS-200 Solid State Control for 2HP Wash Pump and 7000 Watt heater.

- 208/60/1, 45.1 Amps (50 Amp Service Required)
- 208/60/3, 26.7 Amps (30 Amp Service Required)
- 230/60/1, 39.8 Amps (50 Amp Service Required)
- 230/60/3, 24.0 Amps (30 Amp Service Required)
- 460/60/3, 11.6 Amps (15 Amp Service Required)



Skewers are loaded into the Skewer Carousel while the carousel is inside the wash tank.

