

**Digital Cabinets
Sandwich/Salad Preparation Table,
60" with 16GN 1/6 containers-
Stainless Steel (R290)**

ITEM # _____

MODEL # _____

NAME # _____

SIS # _____

AIA # _____



738257 (KCHST60.16)

2-door sandwich/salad preparation table for 16 GN 1/6 containers, 60", R290 refrigerant gas, +33/+41°F, stainless steel

Short Form Specification

Item No. _____

2-door sandwich/salad refrigerated preparation table. Exterior back panel in aluminium, exterior bottom panel in galvanized steel, side and top panels in 430 stainless steel; interior back and top panels in painted aluminium, interior bottom panel in 304 stainless steel, worktop in 430 stainless steel. Built-in refrigeration unit and an insulated lid to maintain food freshness. Fin & Tube Condenser improves performance in high-temperature environments. Automatic Defrost Cooling System to provide worry-free performances.

Full-depth cutting board of 79x60x11.5 in.

Digital control panel, Vinyl-Coated Steel adjustable shelves, removable door gaskets and self-closing doors with 90-degree stay-open feature.

Temperature range: +33/+41°F.

R290 gas in the refrigeration circuit.

ETL Safety and Sanitation certifications.

3/5 Years warranty.

Main Features

- Fin & Tube Condenser improves performance in high temperature environments.
- Automatic Defrost Cooling System provides worry-free performance.
- 1/4 HP Compressor.
- Vinyl-Coated Steel adjustable dividers to customize bottle storage effortlessly.
- Hydrocarbon refrigerant gas R290 for the lowest environmental impact (GWP=3) - CFC and HCFC free.

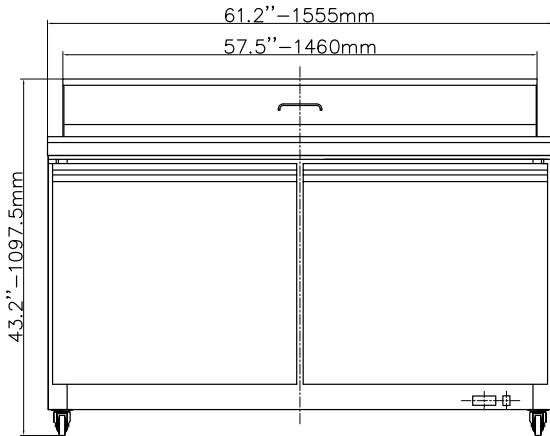
Construction

- Stainless steel exterior and interior, durable and easy to clean for daily commercial use.
- External Electronic Digital Temperature Control for easy setting and monitoring.
- Removable door gaskets.
- Holds (16) 1/6 pans.
- Self-closing door with 90-degree stay-open feature.
- Heavy duty casters.
- Insulated lid maintains food freshness.
- Preparation area designed for work station convenience and self food handling, also thanks to the full-depth cutting board.

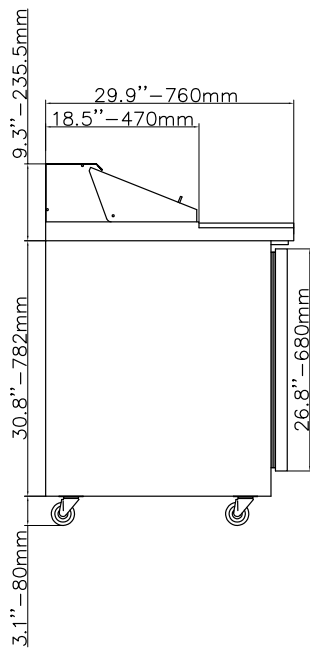
APPROVAL: _____

**Digital Cabinets
Sandwich/Salad Preparation Table, 60" with 16GN 1/6
containers- Stainless Steel (R290)**

Front

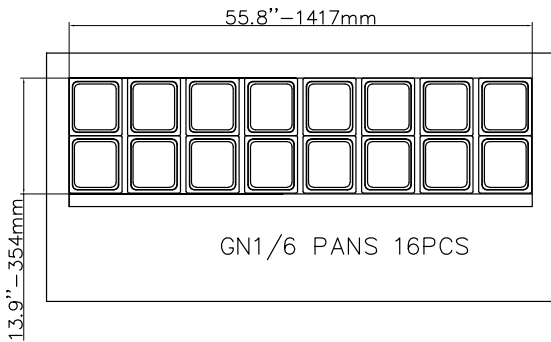


Side



EI = Electrical connection
RI = Refrigerant Inlet
RO = Refrigerant Outlet

Top



Electric

Supply voltage:
738257 (KCHST60.16) 115 V/1 ph/60 Hz
Electrical power, max: 776.25 kW
Plug type: USA NEMA 5-15P

Key Information:

Gross capacity: 438.9104 lt
Door hinges:
External dimensions, Width: 61 1/4" (1555 mm)
External dimensions, Depth: 29 15/16" (760 mm)
External dimensions, Height: 43 1/4" (1098 mm)
Number and type of doors: 2 Full
Number and type of grids (included): 2 - 703x425
Type of external material: Stainless Steel
Type of internal material: Polystyrene
Warranty: 3 / 5 years

Refrigeration Data

Compressor power:
Refrigerant type: R290
Operating temperature min.: 33.01 °F
Operating temperature max.: 41 °F
Condenser type: Fin & tube
Defrost type: Auto Defrost