

**Digital Cabinets
Mega Top Table, 48" with 18GN1/6
containers - Stainless Steel (R290)**

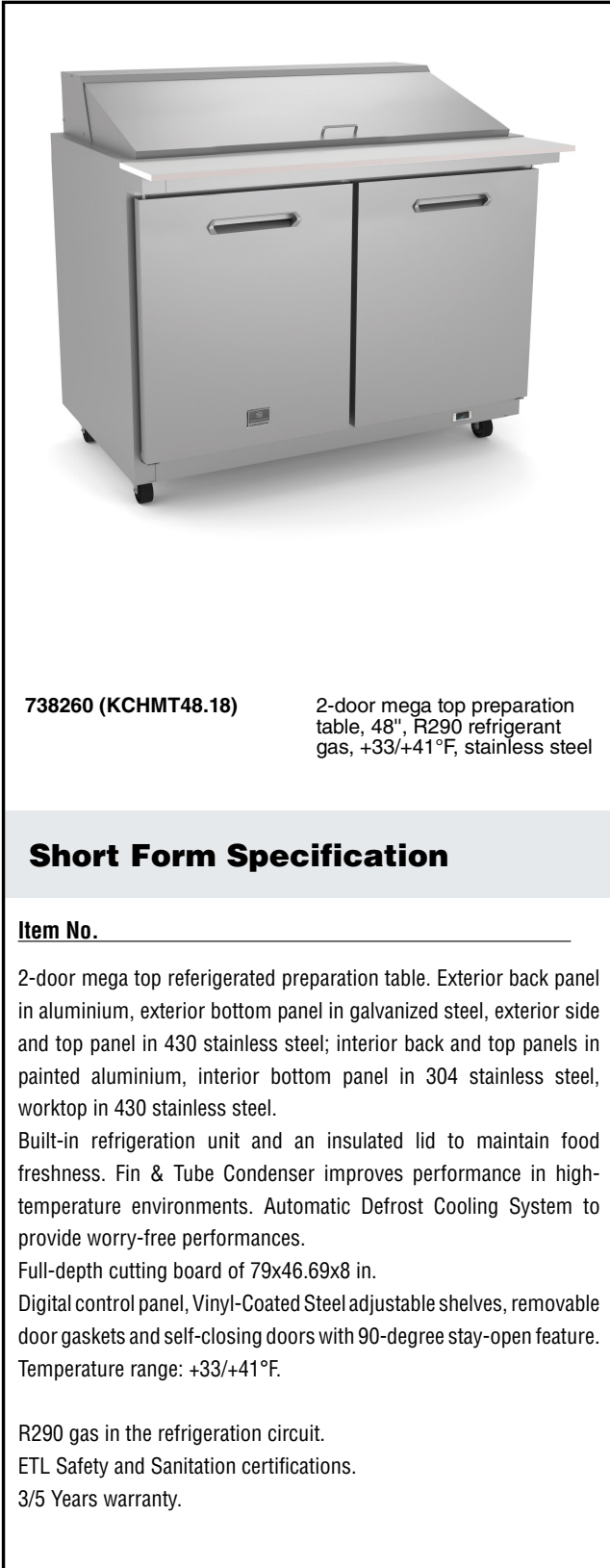
ITEM # _____

MODEL # _____

NAME # _____

SIS # _____

AIA # _____



738260 (KCHMT48.18)

2-door mega top preparation table, 48", R290 refrigerant gas, +33/+41°F, stainless steel

Short Form Specification

Item No. _____

2-door mega top refrigerated preparation table. Exterior back panel in aluminium, exterior bottom panel in galvanized steel, exterior side and top panel in 430 stainless steel; interior back and top panels in painted aluminium, interior bottom panel in 304 stainless steel, worktop in 430 stainless steel.

Built-in refrigeration unit and an insulated lid to maintain food freshness. Fin & Tube Condenser improves performance in high-temperature environments. Automatic Defrost Cooling System to provide worry-free performances.

Full-depth cutting board of 79x46.69x8 in.

Digital control panel, Vinyl-Coated Steel adjustable shelves, removable door gaskets and self-closing doors with 90-degree stay-open feature. Temperature range: +33/+41°F.

R290 gas in the refrigeration circuit.

ETL Safety and Sanitation certifications.

3/5 Years warranty.

Main Features

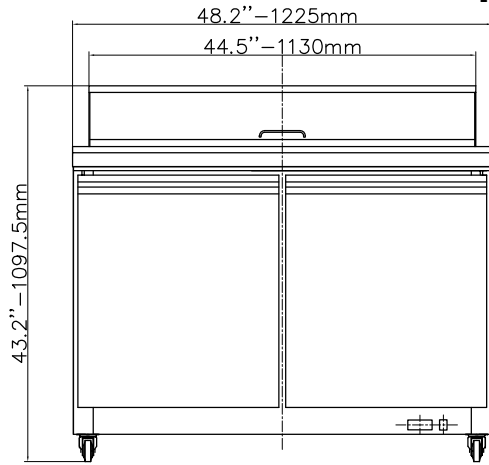
- External temperature display.
- Removable door gasket for easy cleaning operations.
- Hydrocarbon refrigerant gas R290 for the lowest environmental impact (GWP=3) - CFC and HCFC free.
- Fin & Tube Condenser improves performance in high temperature environments.
- Automatic Defrost Cooling System provides worry-free performance.
- Electronic Digital Temperature Control, quick and simple to set, with control display for easy monitoring.
- Full Depth cutting board.
- High efficiency components to minimize the energy consumption still guaranteeing the highest performances.
- Cabinet and door insulated with high density polyurethane for low environmental impact.
- Heavy duty Vinyl coated steel shelves.

Construction

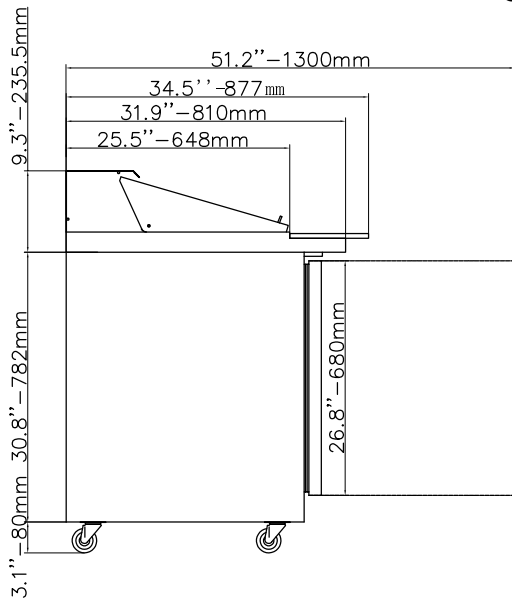
- Self-closing door with 90-degree stay-open feature.
- Heavy duty casters.
- Insulated lid maintains food freshness.
- Holds 18 1/6 pans.
- Pre-wired heavy duty power cord.
- Heavy duty door hinges.
- Magnetic door gasket removable without tools for easy cleaning.

APPROVAL: _____

Front

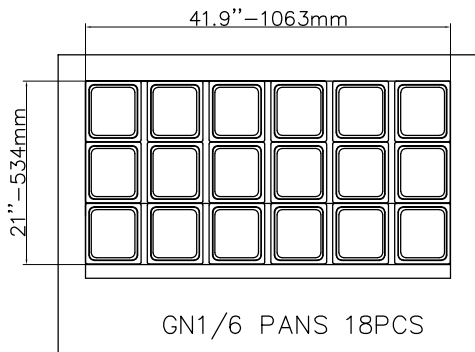


Side



- EI** = Electrical connection
- RI** = Refrigerant Inlet
- RO** = Refrigerant Outlet

Top



Electric

Supply voltage:

738260 (KCHMT48.18)	115 V/1 ph/60 Hz
Electrical power, max:	724.5 kW
Plug type:	USA NEMA 5-15P

Key Information:

Gross capacity:	339.8016 lt
Door hinges:	
External dimensions, Width:	48 1/4" (1225 mm)
External dimensions, Depth:	34 1/2" (877 mm)
External dimensions, Height:	43 1/4" (1098 mm)
Number and type of doors:	2 Full
Number and type of grids (included):	2 - Vinyl-Coated Steel
Type of external material:	Stainless Steel
Type of internal material:	Polystyrene
Warranty:	3 / 5 years

Refrigeration Data

Compressor power:	
Refrigerant type:	R290
Operating temperature min.:	33.01 °F
Operating temperature max.:	41 °F
Condenser type:	Fin & tube
Defrost type:	Auto Defrost