

**Digital Cabinets
Mega Top Table, 48" with 4 drawers
and 18GN1/6 containers - Stainless
Steel (R290)**

ITEM # _____

MODEL # _____

NAME # _____

SIS # _____

AIA # _____



738287 (KCHMT48.18.2D) 2-drawer mega top preparation table, 48", R290 refrigerant gas, +33/+41°F, stainless steel

Short Form Specification

Item No. _____

4-drawer mega top refrigerated preparation table. Exterior back panel in aluminium, exterior bottom panel in galvanized steel, exterior side and top panel in 430 stainless steel; interior back and top panels in painted aluminium, interior bottom panel in 304 stainless steel, worktop in 430 stainless steel.

Built-in refrigeration unit and an insulated lid to maintain food freshness. Fin & Tube Condenser improves performance in high-temperature environments. Automatic Defrost Cooling System to provide worry-free performances.

Full-depth cutting board of 79x70x8 in.

Digital control panel, Vinyl-Coated Steel adjustable shelves, removable door gaskets and self-closing doors with 90-degree stay-open feature.

Temperature range: +33/+41°F.

R290 gas in the refrigeration circuit.
ETL Safety and Sanitation certifications.
3/5 Years warranty.

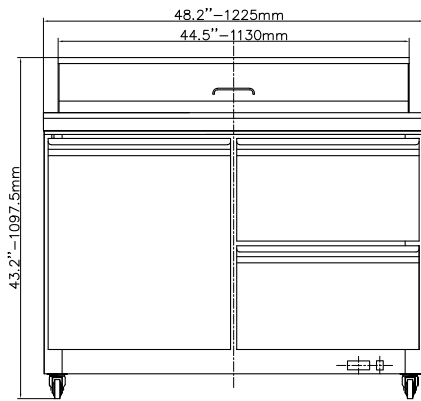
Main Features

- Removable door gasket for easy cleaning operations.
- Hydrocarbon refrigerant gas R290 for the lowest environmental impact (GWP=3) - CFC and HCFC free.
- Fin & Tube Condenser improves performance in high temperature environments.
- Automatic Defrost Cooling System provides worry-free performance.
- Electronic Digital Temperature Control, quick and simple to set, with control display for easy monitoring.
- Full Depth cutting board.
- External temperature display.
- High efficiency components to minimize the energy consumption still guaranteeing the highest performances.
- Cabinet and door insulated with high density polyurethane for low environmental impact.
- Heavy duty Vinyl coated steel shelves.

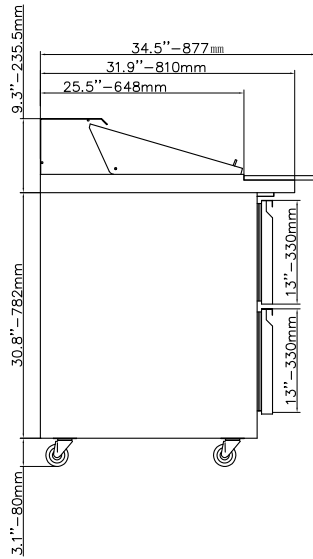
Construction

- Self-closing door with 90-degree stay-open feature.
- Heavy duty casters.
- Insulated lid maintains food freshness.
- Pre-wired heavy duty power cord.
- Heavy duty door hinges.
- Magnetic door gasket removable without tools for easy cleaning.

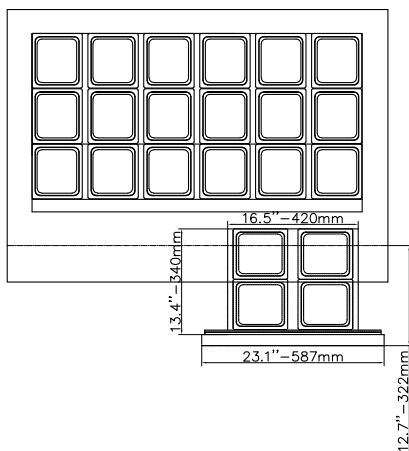
APPROVAL: _____



Front



Side



Top

EI = Electrical connection
RI = Refrigerant Inlet
RO = Refrigerant Outlet

Electric

Supply voltage:
 738287 (KCHMT48.18.2D) 115 V/1 ph/60 Hz
Electrical power, max: 724.5 kW
Plug type: USA NEMA 5-15P

Key Information:

Gross capacity: 339.8 lt
Door hinges:
External dimensions, Width: 48 1/4" (1225 mm)
External dimensions, Depth: 34 1/2" (877 mm)
External dimensions, Height: 43 1/4" (1098 mm)
Number and type of doors: 1
Number and type of grids (included): 1 - Vinyl-Coated Steel
Type of external material: Stainless Steel
Type of internal material: Polystyrene
Warranty: 3 / 5 years

Refrigeration Data

Compressor power:
Refrigerant type: R290
Operating temperature min.: 32 °F
Operating temperature max.: 41 °F
Condenser type: Fin & tube
Defrost type: Auto Defrost

