

**Digital Cabinets  
Bar Equipment 2-glass door  
Refrigerator, 11.8 cu.ft, 48" (R290)**

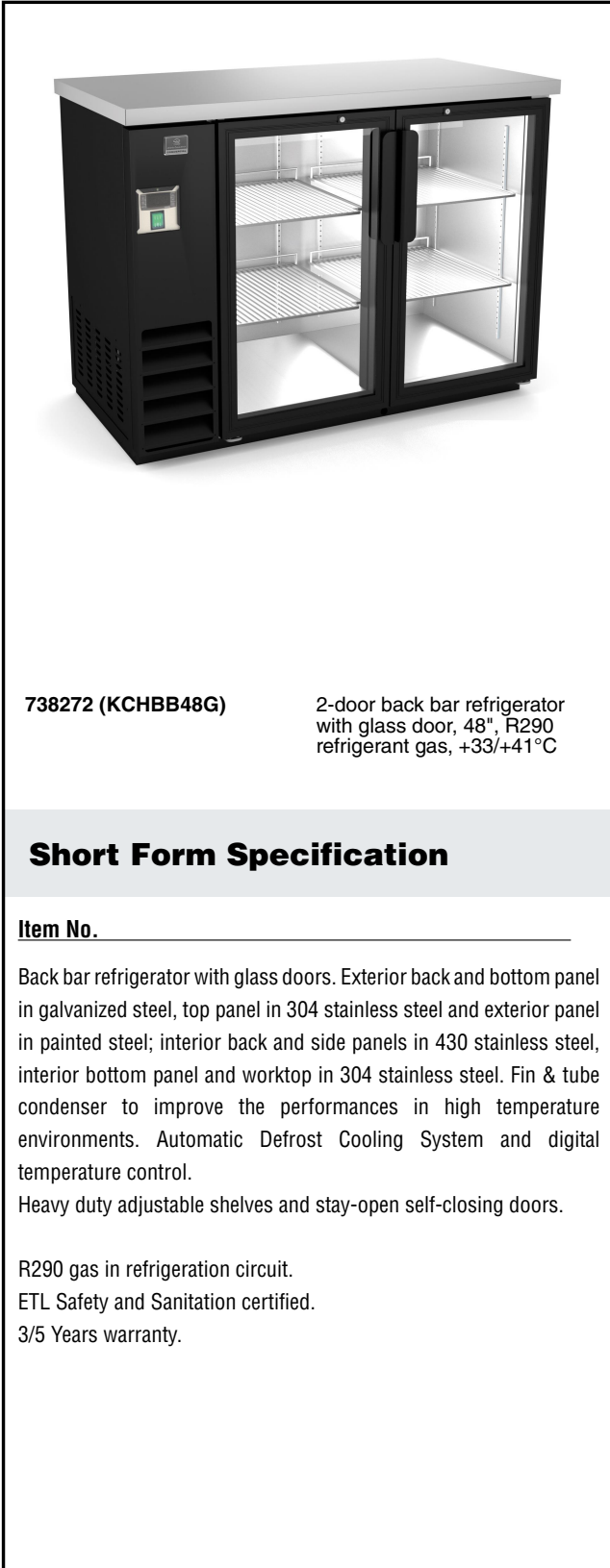
ITEM # \_\_\_\_\_

MODEL # \_\_\_\_\_

NAME # \_\_\_\_\_

SIS # \_\_\_\_\_

AIA # \_\_\_\_\_



**738272 (KCHBB48G)**

2-door back bar refrigerator with glass door, 48", R290 refrigerant gas, +33/+41°C

**Short Form Specification**

**Item No.** \_\_\_\_\_

Back bar refrigerator with glass doors. Exterior back and bottom panel in galvanized steel, top panel in 304 stainless steel and exterior panel in painted steel; interior back and side panels in 430 stainless steel, interior bottom panel and worktop in 304 stainless steel. Fin & tube condenser to improve the performances in high temperature environments. Automatic Defrost Cooling System and digital temperature control.

Heavy duty adjustable shelves and stay-open self-closing doors.

R290 gas in refrigeration circuit.

ETL Safety and Sanitation certified.

3/5 Years warranty.

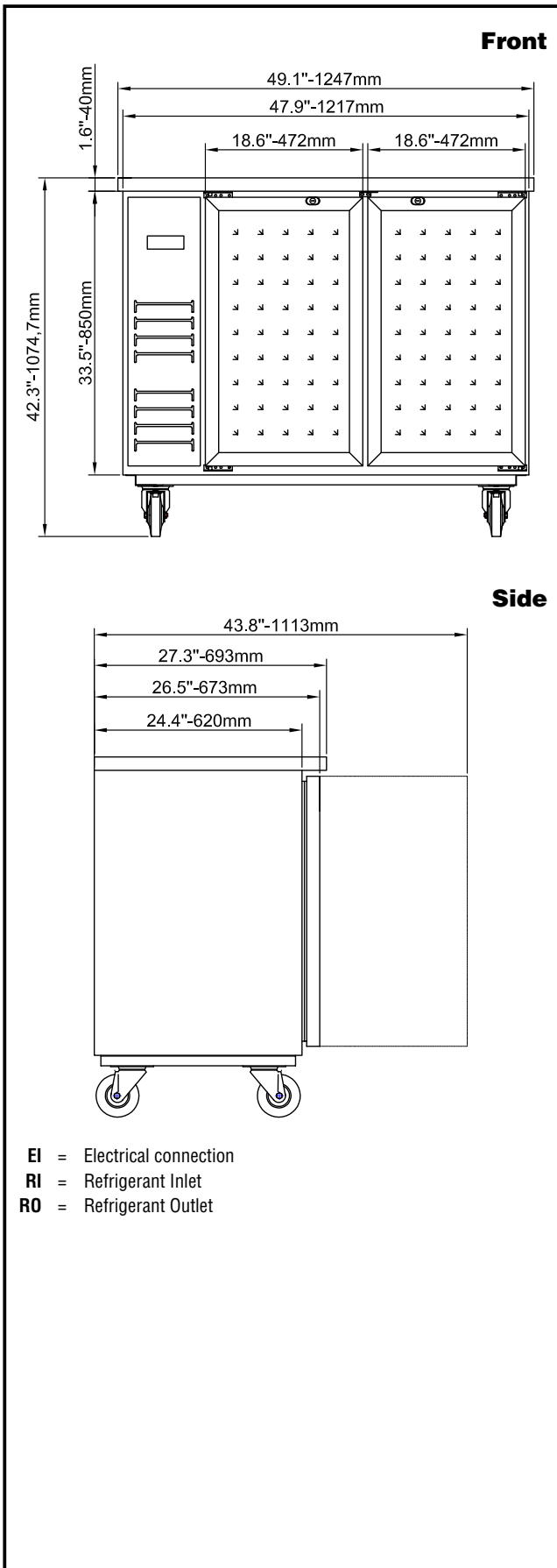
**Main Features**

- External digital temperature display.
- External temperature display.
- Hydrocarbon refrigerant gas R290 for the lowest environmental impact (GWP=3) - CFC and HCFC free.
- Fin & Tube Condenser improves performance in high temperature environments.
- Automatic Defrost Cooling System provides worry-free performance.
- Locking lids.
- Heavy duty Vinyl coated steel shelves.
- High efficiency components to minimize the energy consumption still guaranteeing the highest performances.
- Cabinet and door insulated with high density polyurethane for low environmental impact.

**Construction**

- Lockable door.
- Self-closing door with 90-degree stay-open feature.
- Pre-wired heavy duty power cord.
- Heavy duty door hinges.
- Magnetic door gasket removable without tools for easy cleaning.

**APPROVAL:** \_\_\_\_\_



## Electric

### Supply voltage:

738272 (KCHBB48G) 115 V/1 ph/60 Hz

### Electrical power, max:

310.5 kW

### Plug type:

USA NEMA 5-15P

## Key Information:

<b>Capacity (Cu.Ft.)</b>	11.8
<b>Door hinges:</b>	
<b>External dimensions, Width:</b>	49 1/16" (1247 mm)
<b>External dimensions, Depth:</b>	24 7/16" (620 mm)
<b>External dimensions, Height:</b>	36 1/4" (920 mm)
<b>Number and type of doors:</b>	2 Glass
<b>Number and type of grids (included):</b>	4 - Vinyl-Coated Steel
<b>Type of external material:</b>	Black Prepainted Steel
<b>Type of internal material:</b>	Stainless Steel
<b>Warranty:</b>	3 / 5 years

## Refrigeration Data

<b>Compressor Horsepower:</b>	1/5
<b>Refrigerant type:</b>	R290
<b>Operating temperature min.:</b>	32 °F
<b>Operating temperature max.:</b>	41 °F
<b>Condenser type:</b>	Fin & tube