

# Maximize Volume & Flavor, Not Costs

Nieco's **JF64-BG** single belt or **JF64-2-BG** dual belt broiler is our highest-capacity broiler that comes with a bun grill. Equipped with **BroilVection™**, a new generation of hybrid broiling technology, the JF64-BG combines radiant broiling, natural convection and focused forced convection heat to consistently produce superior products and reduce operating costs.

## BENEFITS

- Delicious Charbroiled Flavor and Color
- Perfectly Grilled Buns
- Energy Savings
- Less Kitchen Heat
- No Burner Replacement
- Easy to Operate and Maintain
- Faster Speed of Service

## FEATURES

- Patented **BroilVection™** Technology
- Bun Grill
- Flow Through Design
- Digital Controls
- Compact Design
- Brushless DC **BroilVection™** Fan and DC Drive Motors

## OPTIONS

- Available in Natural Gas or Propane
- Single 27 Inch or Dual 13 Inch Belts
- Push Bar or Wire Belt Automatic Feeder(s)

## ACCESSORIES

- Incendalyst™ – Emission Control Catalyst
- Spare Parts Kit
- Multi Product Control
- Quick Disconnect Gas Hose
- Stainless Steel Stand with Locking Casters



NIECO JF64-BG

PERFECT FOR:  
High capacity,  
multi-product  
broiling, grilled  
buns and  
flow through  
kitchen layout



# JF64-BG

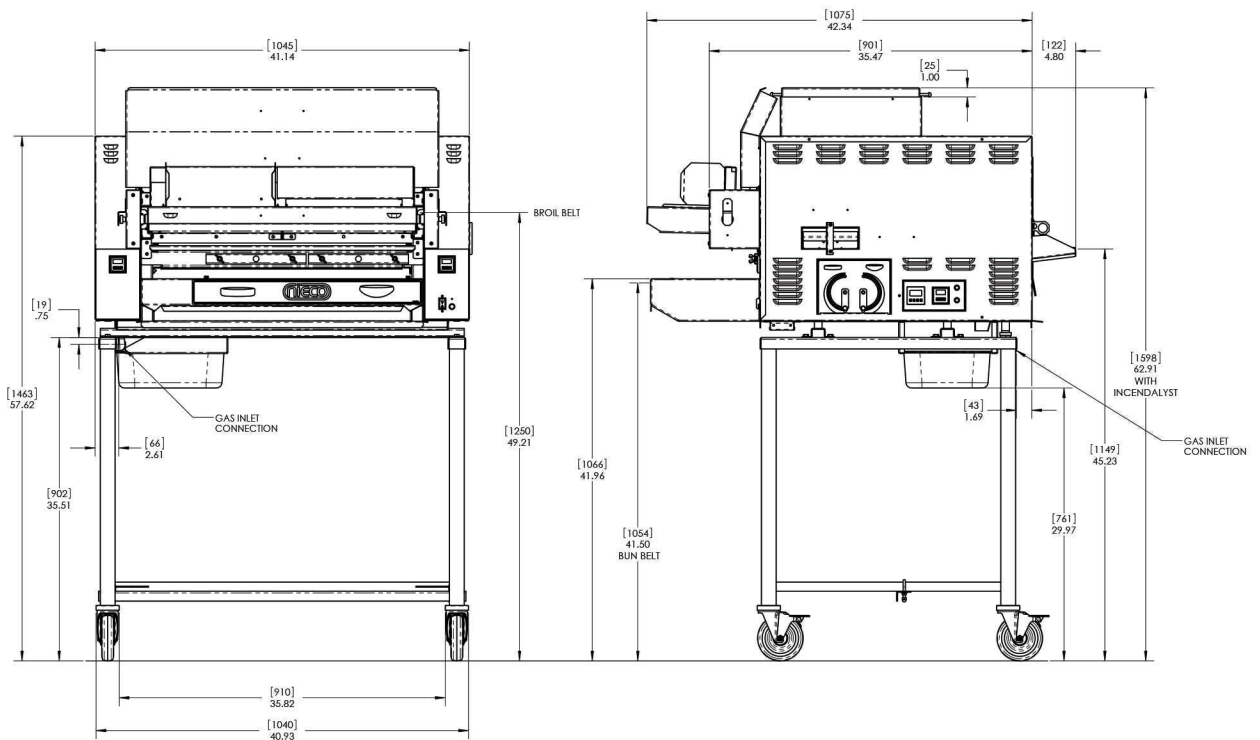
## DIMENSIONS

	With Stand:		With 4" Legs:	
	Inches	mm	Inches	mm
Length	47.14	1197	47.14	1197
Height	62.91	1598 (with Incendalyst™)	31.4	798
Width	41.14	1045	41.14	1045

## ENERGY (FACTORY RATED)

### Gas Models:

- Natural Gas or LPG (for mixed gas call the factory)
- Connected: 68,000 BTU/hour
- Connection Size: ¾" NPT
- Electric Connection Domestic: 200-220V 1Ø 13A
- Electric Connection Export: 230-240V 1Ø 13A



## WARRANTY

One year parts, 30 days labor.

All Nieco equipment is backed by a worldwide sales and service network, with local parts inventories and 24 hour emergency service.

Call us today at **800-643-2656** or e-mail us at **sales@nieco.com**



APPROVALS



Intertek

