

Maximize Great Flavor, Not Costs

The **Nieco JF63-BG** single belt or **JF63-2-BG** dual belt, high capacity broiler and bun grill is equipped with **BroilVection™** technology and is able to deliver superior products while saving up to 50% in energy costs. A new generation hybrid broiling technology, **BroilVection™** combines radiant broiling, natural convection, and focused forced convection heat to produce consistent cooking results and reduce operating costs.

BENEFITS

- Delicious Charbroiled Flavor and Color
- Perfectly Grilled Buns
- Energy Savings
- Less Kitchen Heat
- No Burner Replacement
- Easy to Operate and Maintain
- Faster Speed of Service

FEATURES

- Patented **BroilVection™** Technology
- Bun Grill
- Flow Through Design
- Digital Controls
- Compact Design
- Brushless DC **BroilVection™** Fan and DC Drive Motors

OPTIONS

- Available in Natural Gas, Propane or Electric (Domestic and Export)
- Single 22 Inch Belt or Dual Belts with 12 & 10 Inch or 14 & 8 Inch Belts
- Push Bar or Wire Belt Automatic Feeder(s)

ACCESSORIES

- Incendalyst™ – Emission Control Catalyst
- Spare Parts Kit
- Multi Product Control
- Quick Disconnect Gas Hose
- Stainless Steel Stand with Locking Casters



PERFECT FOR:
Mid - high
capacity,
multi-product
broiling,
grilled buns
and flow
through
kitchen layout



NIECO JF63-BG

JF63-BG

DIMENSIONS

	With Stand:		With 4" Legs:	
	Inches	mm	Inches	mm
Length	47.14	1197	47.14	1197
Height	62.91	1598 (with Incendalyst™)	31.4	798
Width	40.93	1040	35.64	905

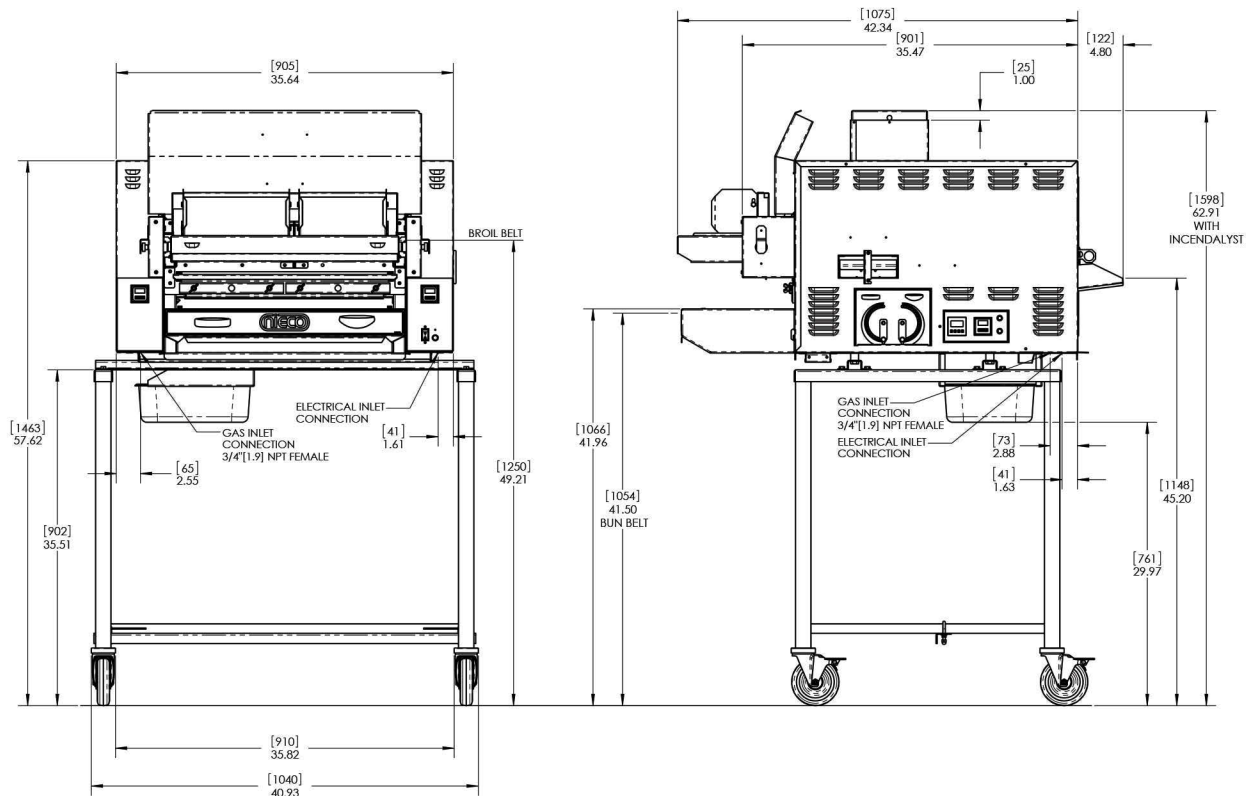
ENERGY (FACTORY RATED)

Gas Models:

- Natural Gas or LPG (for mixed gas call the factory)
- Connected: 51,000 BTU/hour
- Connection Size: ¾" NPT
- Electric Connection Domestic: 200-220V 1Ø 13A
- Electric Connection Export: 230-240V 1Ø 12A

Electric Models:

- Domestic/Export: 208-220V 3Ø 52A 20kW
- Export CE: 380-400V 3Ø 35A 20kW +N CE



WARRANTY

One year parts, 30 days labor.

All Nieco equipment is backed by a worldwide sales and service network, with local parts inventories and 24 hour emergency service.

Call us today at **800-643-2656** or e-mail us at **sales@nieco.com**

Revised 7-22-15



APPROVALS



Intertek

