



FLAVORFUSION™ WITH FLAVOR SHOTS

POST-MIX ICE DRINK DISPENSER



**LOWER KEYPAD
MEETS ADA ON
34" COUNTERS**

FEATURES

Small footprint - 16 brands in a 30" footprint increases brand density

Personalization - Dedicated bonus flavor nozzles can add up to 8 additional flavors for creating a unique drink experience

Maximum adjustability - Flavor shot dispense times and flow rates are easy to adjust

Integrity - No flavor carry-over for brand or flavor shot

Quality - Cold carbonation provides consistent drink quality

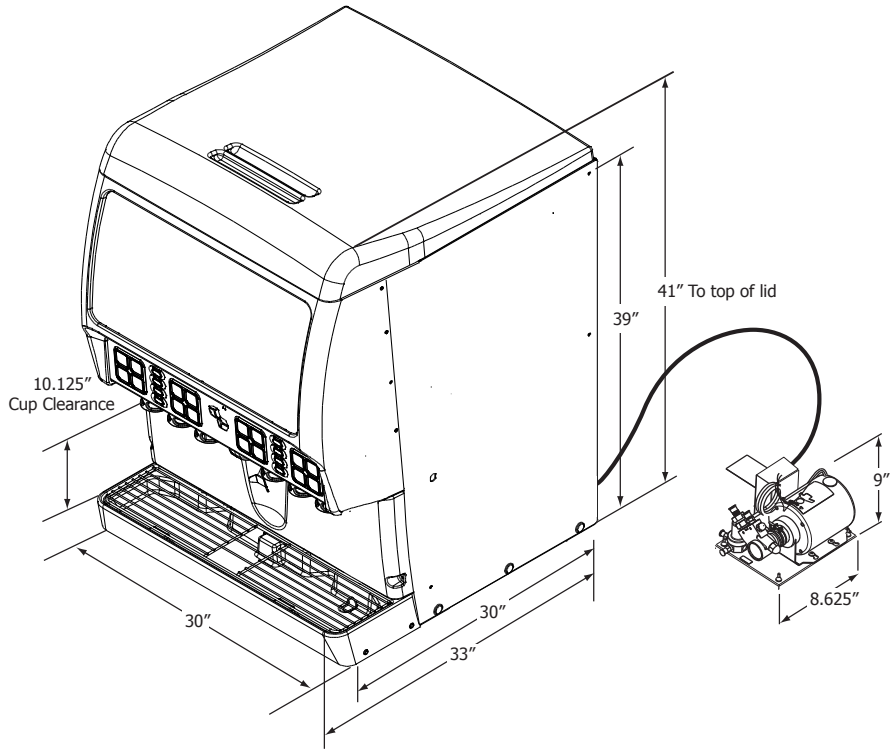
ADA compliant - Meets ADA (Americans with Disabilities Act) guidelines

Total Flexibility - For carbonated / non-carbonated drinks for each brand button

Ease of use - Easy motor removal does not require removal of ice from hopper or removal of top mounted ice maker

Accommodating - Increased drip tray capacity

**NOTE: PUMP & MOTOR ASSEMBLY
MUST BE POSITIONED WITHIN
8 FEET OF THE DISPENSER**



PART NUMBER	DESCRIPTION
621057644	FlavorFusion™ Midnight Black with ADA lower keypad

UNITS BELOW DO NOT HAVE LOWER KEYPAD TO MEET ADA GUIDELINES

PART NUMBER	DESCRIPTION
621057656	FlavorFusion™ Midnight Black

* If top mounting an ice maker, an ice maker adapter kit is required. Order separately.

TECHNICAL SPECIFICATIONS

DIMENSIONS 41" H x 30" W x 30" D
GRAPHIC SIZE (template available)
COUNTER WEIGHT 320 lb (plus ice weight)
SHIPPING WEIGHT 365 lb
CAPACITY 255 lb ice bin capacity
for cubed & chunklet
(compressed) ice
AMP DRAW 120 V / 60 Hz / 9.3 Amps
ELECTRICAL RATING 115 V +/- 10% (only
requires single outlet)
WATER SUPPLY PRESSURE 50-60 psi at pump
CO₂ 75 psi at carbonator tank

STANDARD FEATURES Timed agitation,
beverage keyswitch
and 4" legs
16 BRAND SYRUPS:
(14 CHILLED / 2 AMBIENT) 60 psi/min
8 FLAVOR SHOT SYRUPS:
(AMBIENT) 20-25 psi/max
VALVE OPTIONS 16 push button brands
2-4 oz/sec valves
CUP CLEARANCE 10"

AGENCY LISTINGS

