

PERFORMANCES

1160.4PG/PIG



DESIGN

The PERFORMANCES range of rotisseries have been especially designed for volume cooking with high output, speed and cooking quality.

Well designed, user friendly and reliable the PERFORMANCES is used by leading supermarkets and chain restaurants throughout the world.

Conscious of the cost involved for our clients, the PERFORMANCES rotisserie has energy saving infrared burners, patented by Rotisol, that enables the rapid roasting of a variety of products.

FEATURES

- Independent motors
- Optional lighting
- Removable inner side panels for cleaning
- Independent infrared burners with interchangeable ceramic bricks
- 2 tempered glass doors
- Optional personalised removable roof signage
- Equipped with bottom drip tray with drainage tap



1160.4PG

Black front panels and stainless steel finish



FINISHES

Standard model in finished STAINLESS STEEL. A choice of front coloured panels are available.



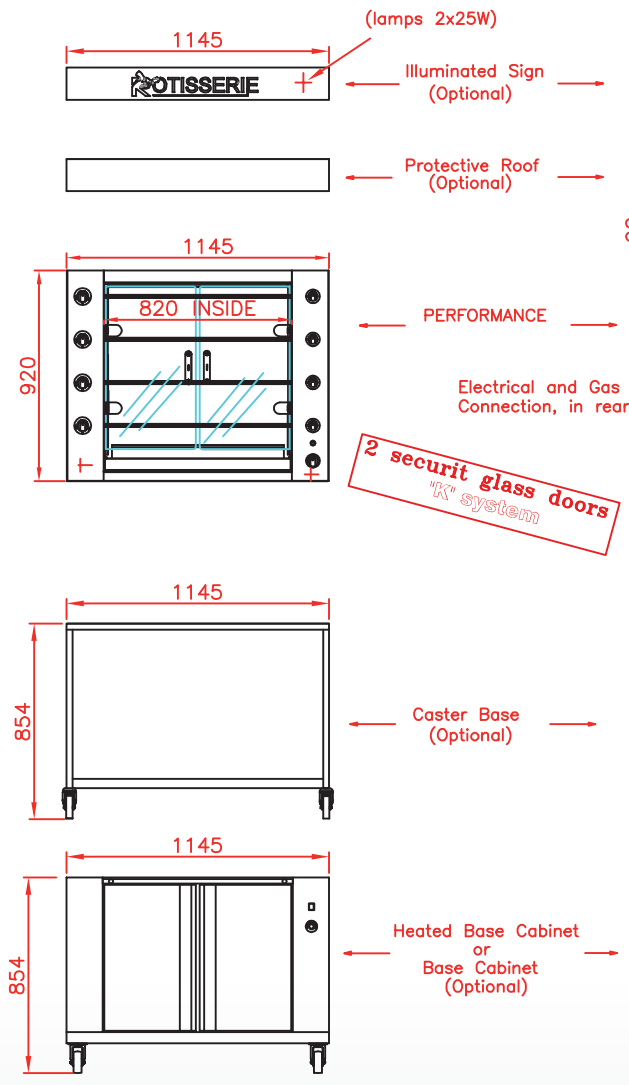
ACCESSORIES

A variety of accessories are available for the unit. Video of available [accessories](#) and video of [vertical spit system](#).

CUI1160 Anti-cutting prongless spit.		BP1160 Chicken spit.		BRC1160 Basket spit.	
BS1160 Sabre spit for ham / turkey.		BRRO1160 Roast-clamp spit.		BA1160 Lamb/suckling-pig spit.	
BCR1160 Spatchcock chicken spit.		DEC Spit mover.		AT Gas lighter.	

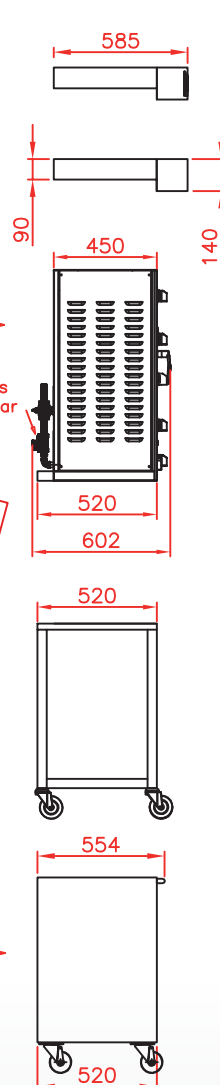
Front view

Rotisserie with roof (optional)
and base on casters (optional)



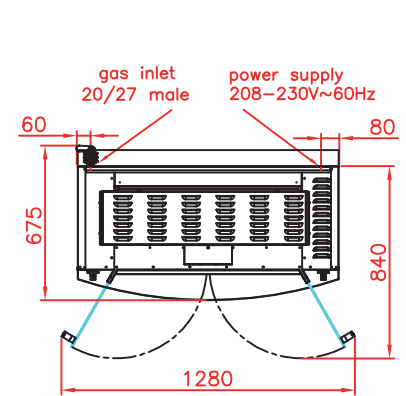
Side view

Rotisserie with roof (optional)
and base on casters (optional)



Top view

Rotisserie with roof (optional)
and base on casters (optional)



1160.4PiG

Stainless steel finish



SPECIFICATIONS

Gas Power	Natural : 41000 BTU/h ; Propane : 37500 BTU/h.
Gas minimum pressure	Natural : 17,4 mbar. Propane : 27,4 mbar.
Gas connector	¾" male
Electricity	208-230 Volts 1 phase + neutral + earth
Capacity	16/20 poultries
Warranty	1 year parts and labor
Venting	Hood installed conformly with all local codes
Minimum clearance	2½" on the right, left and rear side
Shipping weight	110 kg

Revised : February 2017

CANADA DISTRIBUTOR

Rotisol S.A.S.

Zone industrielle La Trentaine, Avenue Gustave Eiffel

77507 Chelles cedex - FRANCE

s.bennell@rotisol.com - Tel : +33 1 64 21 80 00

www.rotisol.com

Celco Inc.

www.celco.ca

585 Secretariat Court, Mississauga, Ontario, L5S 2A5

(905) 364-5200 1-866-77CELCO (23526) info@celco.ca