

# MILLENIUM

## 1375.2MLG/MSG + i

### DESIGN

The MILLENIUM range of attractive ergonomically-designed rotisseries, boasts a number of innovative features for increased functionality and are an ideal show-piece used throughout the world in hotels, restaurants and deli stores.

The naked flame from Rotisol's patented burners lick the cast iron hearth creating a spectacular visual, whilst being safe and simple to operate and easy to clean. Spits are driven by individual motors rotating at 2 ½ times per minute allowing meat or poultry to constantly baste itself, sealing in natural juices and cooking to perfection.

### FEATURES

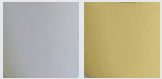
- Energy Efficient
- Independent motors
- 2 tempered glass doors
- Safety with installed thermocouple
- Equipped with bottom drip tray with drainage tap
- Powerful halogen lamp.

### FINISHES

Standard model in black enamel. A choice of other colours are available. Choses a colour scheme for Millenium.





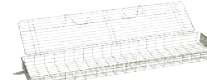



With chrome or brass trims.



### ACCESSORIES

A variety of accessories are available for the unit. Video of available [accessories](#) and video of [vertical spit system](#).

<b>CUI1375</b> Anti-cutting prongless spit.		<b>BP1375</b> Chicken spit.		<b>BRC1375</b> Basket spit.	
<b>BS1375</b> Sabre spit for ham / turkey.		<b>BRRO1375</b> Roast-clamp spit.		<b>BA1375</b> Lamb/suckling- pig spit.	
<b>BCR1375</b> Spatchcock chicken spit.		<b>GSV1375</b> Raised rack for meat storage.		<b>PID1375</b> Stainless steel tray to unspit.	



**1375.2MLG**

Black and brass finish



### Front view

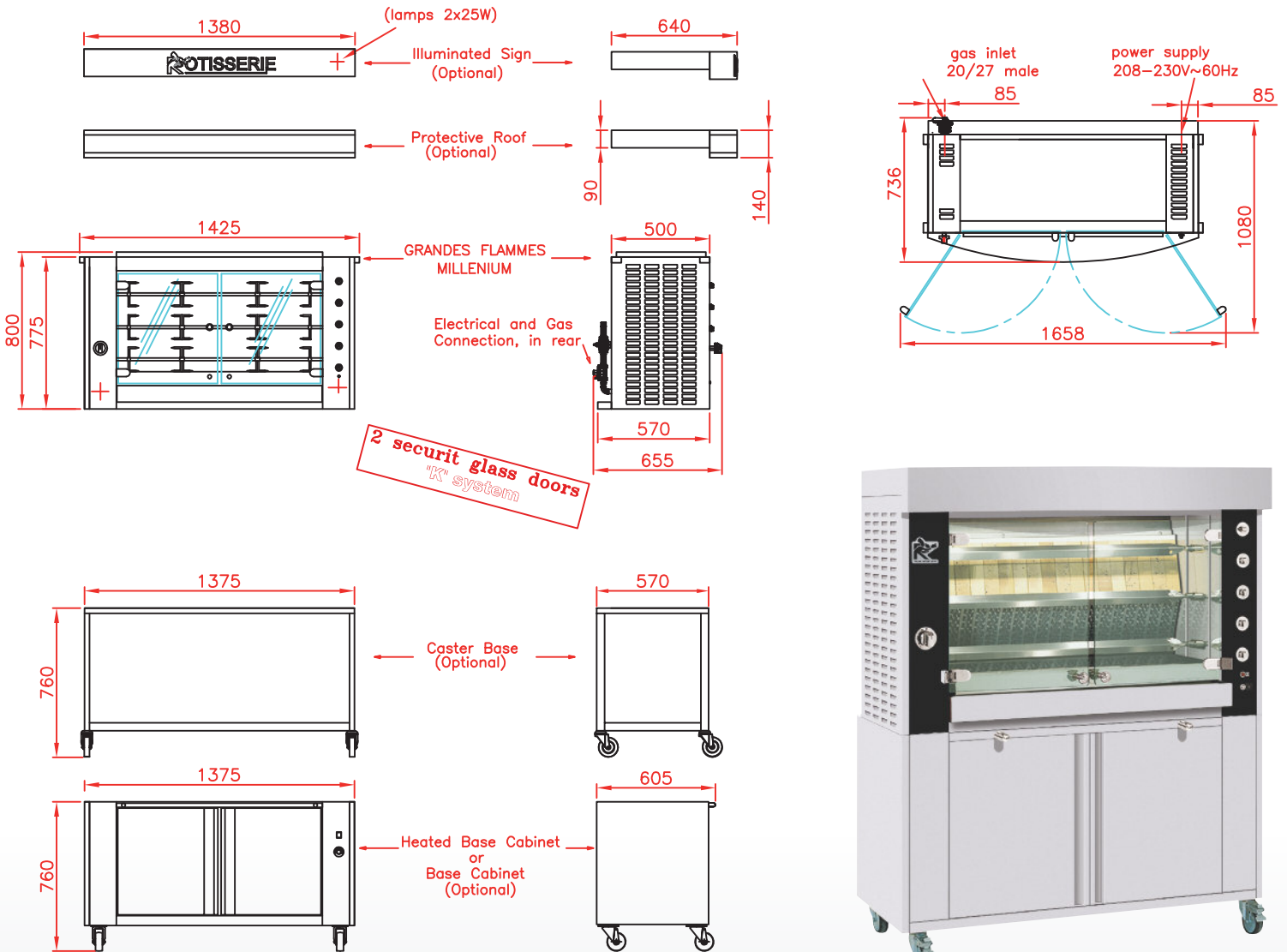
Rotisserie with roof (optional) and base on casters (optional)

### Side view

Rotisserie with roof (optional) and base on casters (optional)

### Top view

Rotisserie with roof (optional) and base on casters (optional)



**1375.2MSG**

Stainless steel finish



## SPECIFICATIONS

<b>Gas Power</b>	Natural : 41000 BTU/h ; Propane : 38000 BTU/h.
<b>Gas minimum pressure</b>	Natural : 17,4 mbar. Propane : 27,4 mbar.
<b>Gas connector</b>	¾" male
<b>Electricity</b>	208-230 Volts 1 phase + neutral + earth
<b>Capacity</b>	10/12 poultres*
<b>Warranty</b>	1 year parts and labor
<b>Venting</b>	Hood installed conformly with all local codes
<b>Minimum clearance</b>	2 1/2" on the right, left and rear side
<b>Shipping weight</b>	100 kg

\* depending on size

Revised : February 2017

CANADA DISTRIBUTOR

### Rotisol S.A.S.

Zone industrielle La Trentaine, Avenue Gustave Eiffel

77507 Chelles cedex - FRANCE

[bennell@rotisol.com](mailto:bennell@rotisol.com) - Tel : +33 1 64 21 80 00

[www.rotisol.com](http://www.rotisol.com)

### Celco Inc.

[www.celco.ca](http://www.celco.ca)

585 Secretariat Court, Mississauga, Ontario, L5S 2A5

(905) 364-5200 1-866-77CELCO (23526) [info@celco.ca](mailto:info@celco.ca)