

Special Market 1175.6SMAG/SMAiG

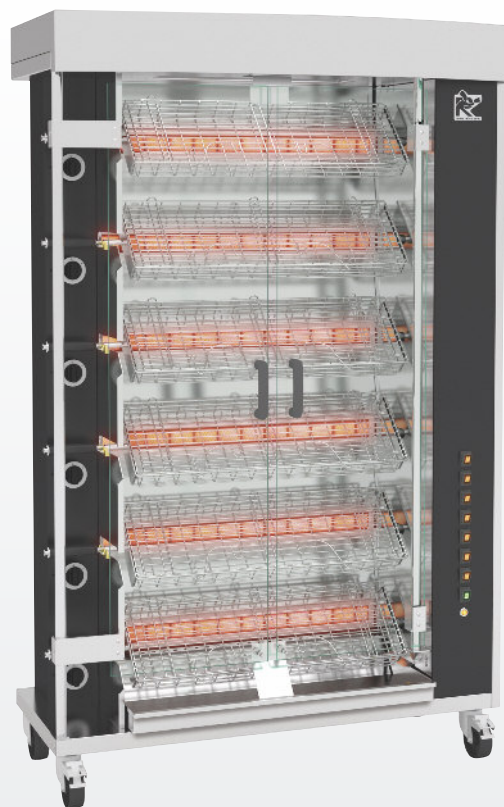
DESIGN

The Special Market range of rotisseries has been designed with performance, practicality and mobility in mind. Light weight and compact Special Market is the ideal rotisserie for markets and food trucks and offers rapid production together with excellent cooking quality.

Conscious of the costs involved for our clients, the Special Market rotisserie has energy-saving infrared burners, patented by Rotisol, that enable the rapid roasting of a variety of products.

FEATURES

- Energy efficient
- 2 Tempered K-glass doors (removable for transport)
- Independent motor for each spit
- Spits with Bakelite handles
- Equipped with bottom drip tray with built-in drainage
- Independent infrared gas burners with interchangeable ceramic bricks (Rotisol patented)
- Delivered with 6 spatchcock spits (BCR1175)
- Optional base on casters with brakes must be purchased unless installing on a food truck



1175.6SMAG

Black front panels and stainless steel finish



TECHNICAL DETAILS

Overview of some of the standard features.

	Replaceable ceramic bricks for significant financial savings.		Robust hinges designed for heavy use, with integrated locking in open and closed positions.		Gas safety ! separation of the gas and electric chambers avoids any risks of explosion.
	Independent floating, swinging and adjustable motors to for easy placement and removal of spits.		Anti-scald K-glass reduces external thermal radiation (energy saving). Glass overlaps drip pan to keep splatters inside (anti-slip protection).		Removable inside side-panels doubles protection from grease seeping into motors and other sensitive parts.

ACCESSORIES

A variety of accessories are available. See video of available [accessories](#) online.

CUI1175 Anti-cutting prongless V-spit.		PID1175 Tray for unspitting.		BRC1175 Rectangular basket spit.	
BS1175 Spit for ham / turkey.		BRRO1175 Roast-clamp spit.		BA1175 Lamb/suckling-pig spit.	
BCR1175 Spatchcock chicken basket.		DEC Spit mover.		AT Gas lighter.	

Front view

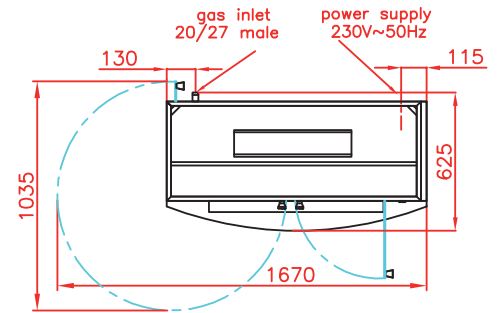
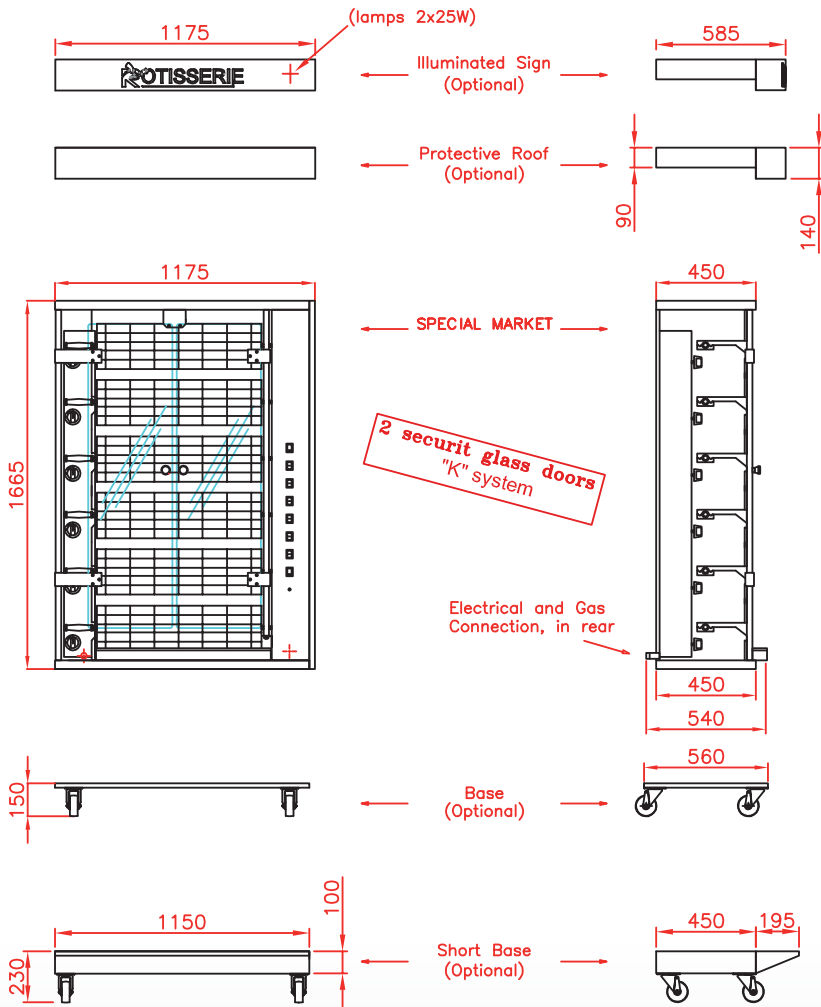
Rotisserie with roof (optional)
and base on casters (optional)

Side view

Rotisserie with roof (optional)
and base on casters (optional)

Top view

Rotisserie with roof (optional)
and base on casters (optional)



1175.6SMAiG
Stainless steel finish



Revised :
April 2019

SPECIFICATIONS

Capacity	24/30 poultries ; 18/24 open poultries
Gas power	30 kW
Power supply	208-230V-50Hz/60Hz
Electrical power	0.53 kW
Weight and size (HxDxW)	170 kg ; 1905 x 625 x 1175 mm
Shipping weight and size	230 kg ; 2000 x 760 x 1210 mm
Guarantee	1 year parts



DISTRIBUTOR / AGENT

Rotisol S.A.S.

Zone industrielle La Trentaine, Avenue Gustave Eiffel
77507 Chelles cedex - FRANCE

s.bennell@rotisol.com - Tel : +33 1 64 21 80 00

www.rotisol.com