



CD40022 WITH CIMO320

Features

- Only 22" (559 mm) wide.
- Storage 120 lbs (54 kg) of ice per day.
- *Turbo Dispense* dispenses 1/4 lbs of ice per second.
- *Power Clean* allows access to the bin for easy cleaning without moving the ice machine. Interlock safety switch turns off machine agitation when top-front access panel is removed.
- 4" (102 mm) foam insulation for maximum ice preservation – no more quick melting ice.
- Constructed from corrosion-resistant stainless steel and fingerprint-proof plastic.
- Great for hard water, food safety and tight spaces.
- User friendly push-to-dispense operation.

CD40022/40522 CUBE ICE DISPENSER

Ice Form

CUBE

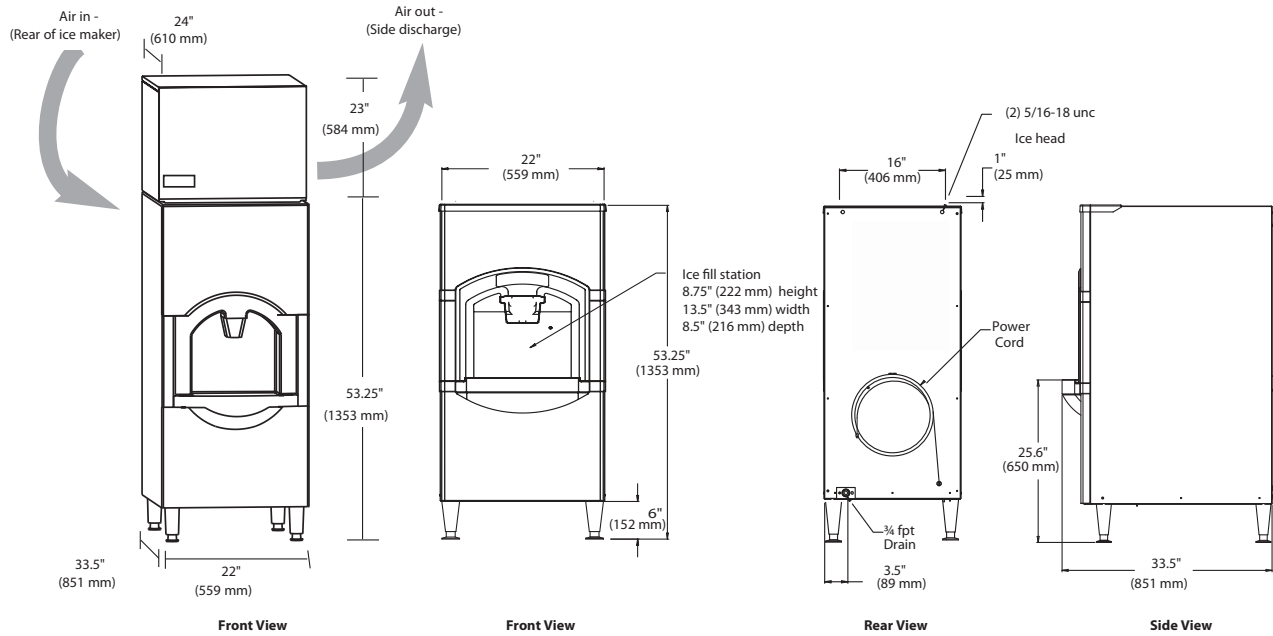


Full Cube Dimensions	
W x D x H (in.)	7 ⁵ / ₈ x 7 ⁵ / ₈ x 7 ⁵ / ₈
W x D x H (mm)	22 x 22 x 22
Half Cube Dimensions	
W x D x H (in.)	3 ⁵ / ₈ x 7 ⁵ / ₈ x 7 ⁵ / ₈
W x D x H (mm)	10 x 22 x 22

ICE PRODUCTION FOR OPTIONAL CUBE ICE MAKERS—LBS. (KG) PER 24 HOURS*				
Model Number	CIMO320	CIMO520	CIMO826	CIM1126
Air	313 (142)	561 (254)	896 (406)	932 (423)
Water	316 (143)	586 (266)	896 (406)	968 (439)
Remote	N/A	N/A	906 (411)	968 (439)
Voltage	115/60/1	115/60/1	208-230/60/1	208-230/60/1

*Tested at 70°F Air/50°F Water.

All specifications and performance data are subject to normal manufacturing variances.
Daily ice production based on half cube configuration.



Operating Requirements

	MINIMUM	MAXIMUM	
		60 Hz	50Hz
Ambient Temp. Range Air	50°F (10°C)	100°F (38°C)	110°F (43°C)
Water Temp.	40°F (4.4°C)		90°F (32°C)
Water Pressure	20 PSIG (1.4 BAR)	60 PSIG (4.1 BAR)	

Dimensions (dispenser only)

ALL MODELS	
W x D x H (in.)	22 x 33.5 x 53.25
W x D x H (mm)	559 x 851 x 1,353

Specifications

Model Number	Dispenser Operation	ARI Bin Storage lbs (kg)	Voltage Characteristics	Min. Circuit Ampacity	Max Fuse Size
CD40022*	Push	120 (55)	115/60/1	2.1	15
CD40522	Push	120 (55)	230/50/1	2.1	15

Note #1: Model CD40022 and CD40522 dispensers accept all 22" CIM Series™ Cube Ice Makers.
Note #2: CD40022 and CD40522 Series units do not require an Adaptor and Bin Level Kit.

NOTES:
Number of Wires: 3 (including ground)
Approx. Shipping Weight lbs (kg): 230 (105)
Refrigerant Type: R404A
*Cordset included