



PARIS

Multi Temperature merchandiser.



PARIS

MULTI-TEMPERATURE UNIT WITH MAXIMUM PRODUCT DISPLAY.

The Paris model is the standard for multi-temp self-contained merchandisers. The curved glass lids provide maximum product visibility. Paris units can be configured as a wide island or placed as a stand-alone merchandiser.

KEY BENEFITS

- Increase energy savings compared with traditional islands
- Energy efficient design
- Environmentally friendly natural refrigerant propane (R290)
- **AHT E-CONOMIZE**
Additional energy saving due to extensive optimization of technology and construction
- Synthetic interior casing for easy cleaning
- Multi Temp Mode offers different temperature ranges that can be changed easily through the controller
- 100% CFC- and PFC-free
- Plug-in System (120V); no floor drain required
- Smooth-running glass sliding lids combined with elegant glass side panels for perfect visibility
- Low access height for easy loading and removal of products
- Low investment and operating costs
- Little to no maintenance
- Consistent interior temperature ensures product quality
- Adjustable false bottoms reduce labor and allow flexibility in product merchandising



TEMPERATURE RANGES

- Refrigerator ≥ 28 °F
- Freezer < 8 °F
- Ice Cream Freezer < -5 °F

HIGHLY FLEXIBLE

- As a stand alone unit
- As a line up
- As an island
- Maximum use of floor space with an end cabinet



R290

AHT
e-co

POWER SAVER PLUS

100%
ECO-FRIENDLY

OPTIONS

- Brilliant LED lighting which enhances product display and drives sales
- Impact protection bumpers
- Skirting prevents water and dirt from getting under the units
- Optional paint to most RAL color
- Superstructure

THE PERFECT SOLUTION – BUILT IN AUTOMATIC DEFROST (AD)*



Regular
defrosting ...



... with goods kept
at a constant temperature

*Only available in Refrigerator and Ice Cream Freezer Mode

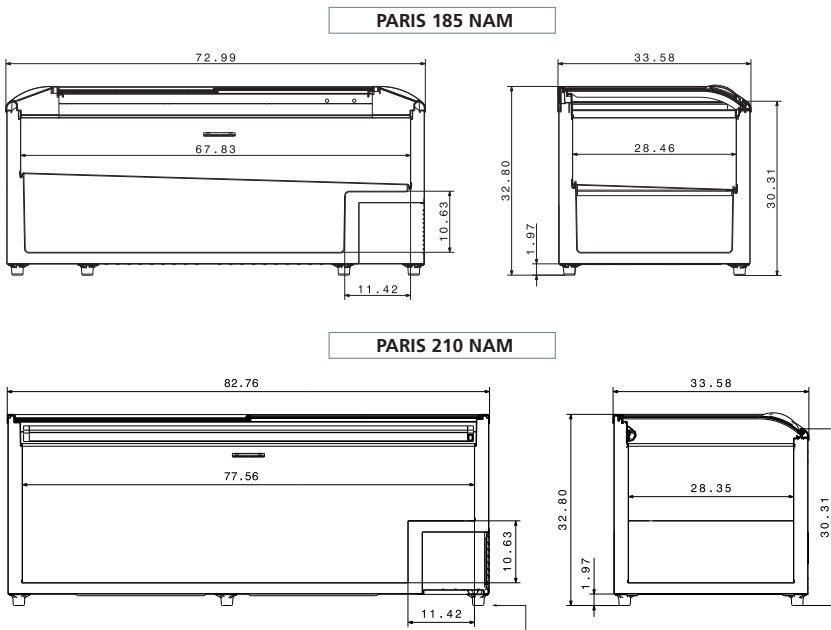
MULTI-MODE CABINET (MT,LT,IC) PARIS 185 NAM

| | | Medium Temperature IAT* | Low Temperature IAT* | Ice Cream Freezer IAT* |
|-----------------------------------------------------|----------|-------------------------|----------------------|------------------------|
| Net Content | cu.ft | 12.73 | 16.38 | 18.69 |
| Total Display Area | sq.ft | | 11.95 | |
| Adjustment Temperature Range | °F .. °F | From +28 to 47 | From -2.2 to +8.6 | From -22 to -5.8 |
| Nominal Power Consumption Cabinet | W | | 400 | |
| Nominal Current | A | | 3.6 | |
| Energy Consumption kWh | kWh/24h | 1.92 | 3.06 | 5.52 |
| Refrigerant Type | | | R290 | |
| Nominal voltage/frequency | V/Hz | | 110 – 120/60 | |
| Physical dimensions | | | | |
| Length outside/inside | inch | | 72.99/67.83 | |
| Depth outside/inside | inch | | 33.58/28.46 | |
| Front access height/height outside | inch | | 30.31/32.8 | |
| height inside front/rear | inch | | 25.79/27.76 | |
| Stacking height (is basket height for meat colling) | inch | 14.96 | 19.29 | 21.65 |

MULTI-MODE CABINET (MT,LT,IC) PARIS 210 NAM

| | | Medium Temperature IAT* | Low Temperature IAT* | Ice Cream Freezer IAT* |
|-----------------------------------------------------|----------|-------------------------|----------------------|------------------------|
| Net Content | cu.ft | 15.01 | 19.28 | 21.97 |
| Total Display Area | sq.ft | | 14.32 | |
| Adjustment Temperature Range | °F .. °F | From +28 to 47 | From -2.2 to +8.6 | From -22 to -5.8 |
| Nominal Power Consumption Cabinet | W | | 480 | |
| Nominal Current | A | | 3.6 | |
| Energy Consumption kWh | kWh/24h | 2.05 | 3.41 | 6.88 |
| Refrigerant Type | | | R290 | |
| Nominal Voltage/Frequency | V/Hz | | 110 – 120/60 | |
| Physical dimensions | | | | |
| Length outside/inside | inch | | 82.76/77.68 | |
| Depth outside/inside | inch | | 33.58/28.46 | |
| Front access height/height outside | inch | | 30.31/32.8 | |
| Height inside front/rear | inch | | 25.79/27.76 | |
| Stacking height (is basket height for meat colling) | inch | 14.96 | 19.29 | 21.65 |

* Internal Average Temperature



Inner dimensions are slightly reduced, due to internal grid system.

Case standard with extension feet providing an additional 1" of under case clearance and to total height.



AHT Cooling Systems USA Inc.
 7058 Weber Blvd.
 Ladson SC 29456
 Tel. 800-905-4768 (toll free)
 or 843-767-6855
 Email sales@us.aht.at
 www.ahtusa.net



NEMA Plug Type: L5-15 P



approved according to ANSI/NSF 7
 approved according to ANSI/UL 471

OHSAS 18001
 SA 8000

ISO 9001
 ISO 14001