



## 2323 HIGH PERFORMANCE

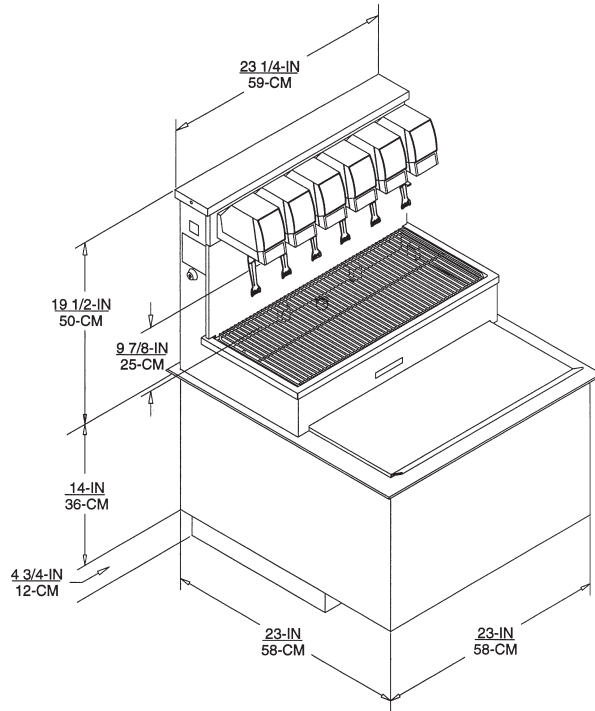
POST-MIX DROP-IN DISPENSER



### FEATURES

- Large ice capacity** - Ice chest has 80 or 100 lb capacity
- Options** - Available with 5, 6, or 8 valves (8 valve has 2 ambient syrups and 6 chilled syrups)
- Insulated** - Foamed polyurethane insulation
- Convenient** - Front inlet fitting location
- Ease of use** - Large, extended drip tray provides extra room for cup staging and is removable for ease in cleaning

- Flexibility** - High capacity cold plate delivers 5-2-1 carb to non-carb flexibility
- Ambient option** - Interior syrup connections provide opportunity to bypass syrup cooling if desired



PART NUMBER	DESCRIPTION
631100051	Drop-in dispenser 5 UFB-1™ 2-4 oz sanitary lever valves, 100 lb (45 kg) bin
631100054	Drop-in dispenser 6 UFB-1™ 2-4 oz sanitary lever valves, 80 lb (36 kg) bin
631100056	Drop-in dispenser 6 UFB-1™ 2-4 oz sanitary lever valves, 100 lb (45 kg) bin
631100055	Drop-in dispenser 8 UFB-1™ 2-4 oz sanitary lever valves, 80 lb (36 kg) bin
631100057	Drop-in dispenser 8 UFB-1™ 2-4 oz sanitary lever valves, 100 lb (45 kg) bin
162111002	Drop-in ice chest w/sealed in nine circuit cold plate and slotted rim
162111004	Drop-in ice chest w/sealed in nine circuit cold plate
162111002	Drop-in ice chest without sealed in cold plate
630001218	Cabinet stand for 2323 drop-in dispenser, assembled
630001205	Cabinet stand for 2323 drop-in dispenser, not assembled

## TECHNICAL SPECIFICATIONS

TYPE OF VALVES . . . . . UFB-1™ post-mix

NUMBER OF VALVES . . . . . 5, 6 or 8

CUP CLEARANCE . . . . . 9.75" (248 mm)

CONNECTIONS . . . . . Water: 0.375" (9.5 mm)  
barb fitting  
Syrup: 0.375" (9.5 mm)  
barb fitting

COUNTER TOP CUT OUT . . . . . 23.25" x 23.25"  
(591 mm x 591 mm)

DRAIN SIZE . . . . . 0.75" (19.1 mm)  
flexible hose

ELECTRICAL REQUIREMENTS . . 120 V / 60 Hz / 1.5 Amps

SHIPPING WEIGHT . . . . . 335 lb

AGENCY LISTING . . . . .



Transformer is UL and  
cUL listed

