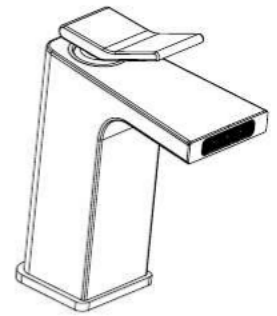


742110C
Single Control Lavatory

FINISHES
742110CPC Polished Chrome
742110CBN Brushed Nickel



STANDARDS

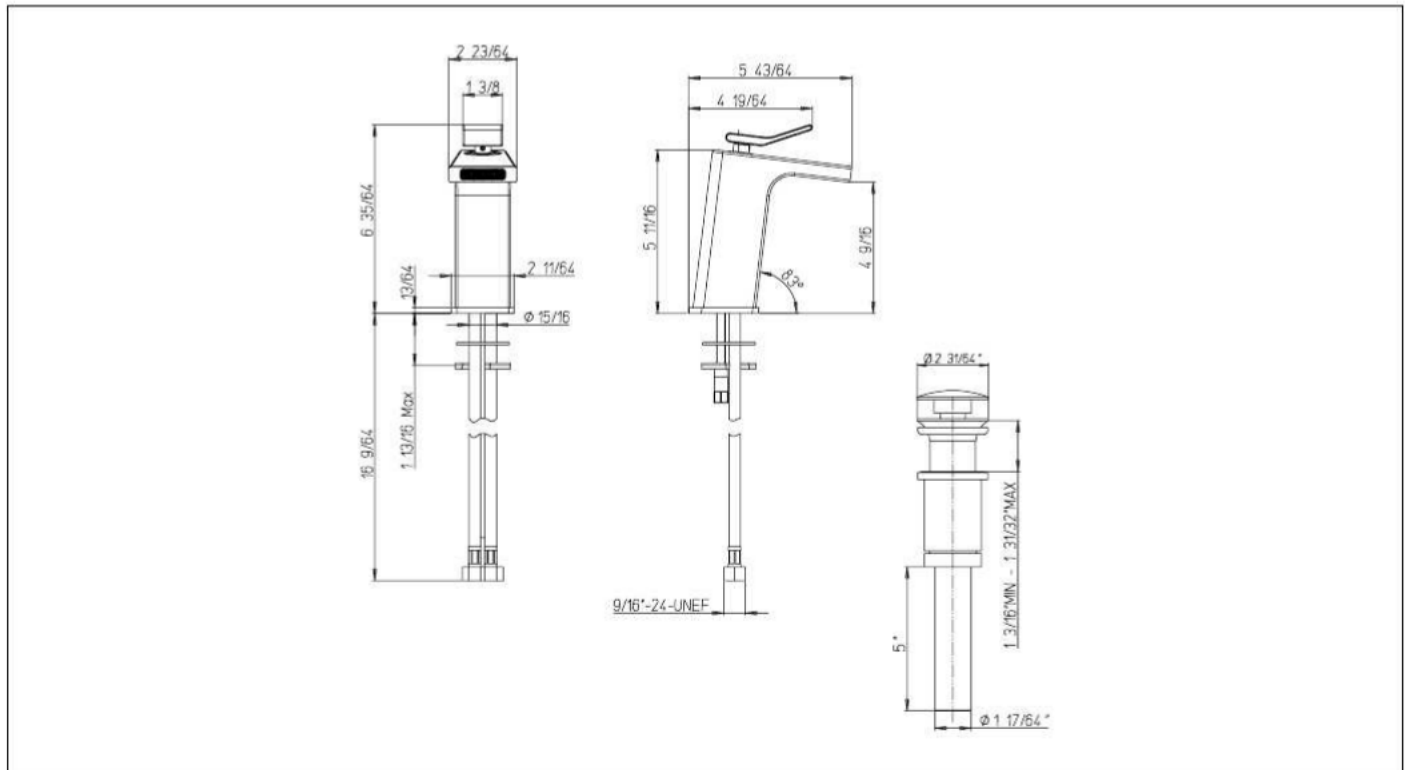


- Compliant with ASME A112.18.1 - CSA B125.1
- Compliant with ANSI/NSF 61
- Compliant with NSF 372 (Low lead)
- Certified by IAPMO R&T Lab
- Meets EPA Water Sense Certification:
1.2gpm, 4.5L/min

FEATURES

Solid Brass Construction
Single Control Ceramic Disc Valve
Metal Pop-up assembly
1 hole installation. Optional 3-hole deckplate sold separately
Step-By-Step Installation Instructions

DIMENSIONS



Project _____
Contractor _____