



WARNING

Failure to **turn OFF electrical power** prior to installing or removing the GuideLight can result in electrical shock, fires, and/or death.

CAUTION: Please read all instructions and warnings before installing!

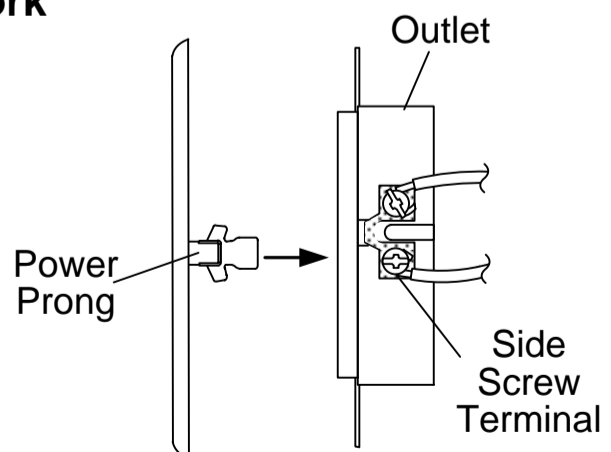
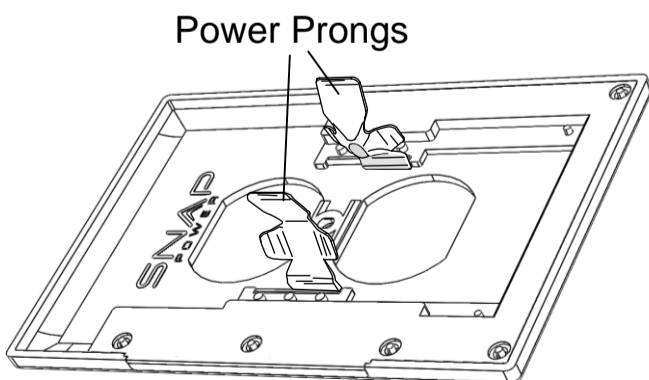
- Failure to follow these instructions can cause electrical shock, death or permanent injury. Do not work on live electrical outlets. Test outlets to ensure electrical power has been turned “off”.
- The GuideLight is for dry location use only. The GuideLight is not intended for use on outlets which are fed by more than one branch circuit or for use where one receptacle is switched and the other receptacle is always on.
- Install the GuideLight in accordance with all applicable electrical codes and regulations. Only install the corresponding GuideLight style on it's intended outlet (duplex, décor, or Ground-Fault Circuit Interrupters-GFCI).
- The GuideLight is designed to be compatible with permanently installed, standard duplex, décor, and GFCI outlets with side screw terminals. They will not work with switches, or other outlet families. Do not use the GuideLight where it could contact bed coverings or other material that could be a fire hazard. Do not use on DC to AC converter systems.
- Power Prongs must always fit inside the electrical box. There must be enough room between the sides of the outlet and the electrical box for the power prongs to slide inside the electrical box and around both sides of the outlet. Installing the GuideLight without enough room between the outlet and the electrical box can result in damage to the GuideLight, arcing and/or malfunction of your electrical system.
- Do not use the GuideLight with electrical boxes containing telephone, data, or TV antenna circuits.
- If you are unsure about any part of these instructions, please consult an electrician.

www.snappower.com



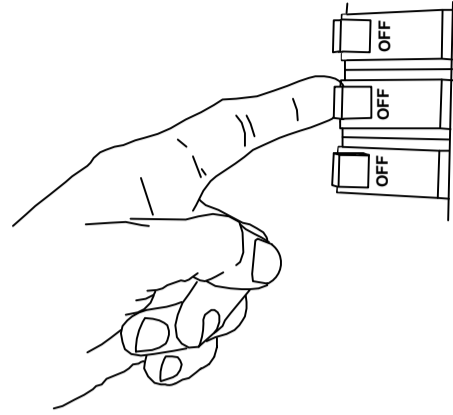
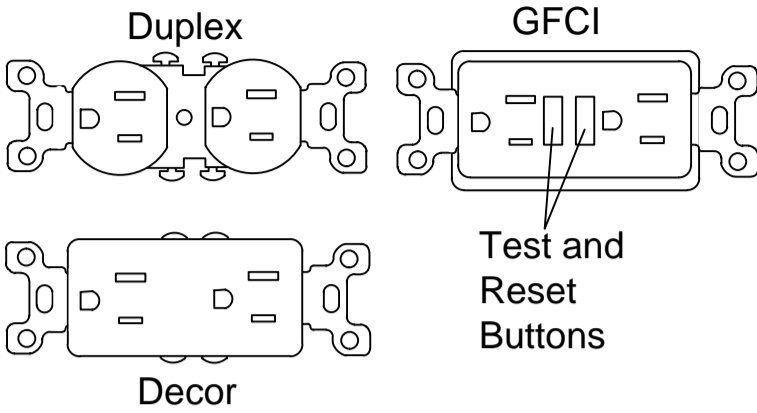
WARNING: Do not work around outlets while the power is on. Do not stick fingers or tools into an electrical box while the power is on.

How SnapPower GuideLights Work



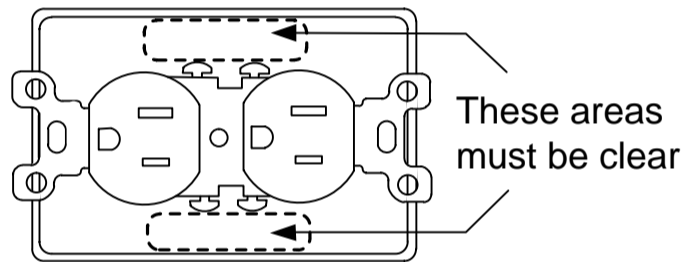
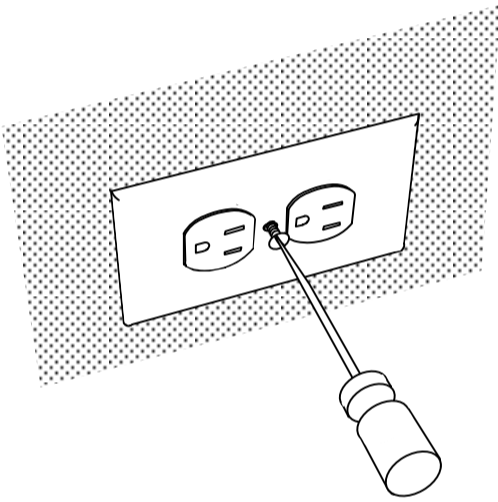
The GuideLight has two power prongs that extend from the back.

The power prongs slide around the side screw terminals and contact the lower screw heads to extract power for the Product.



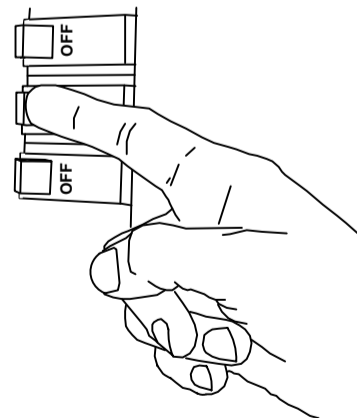
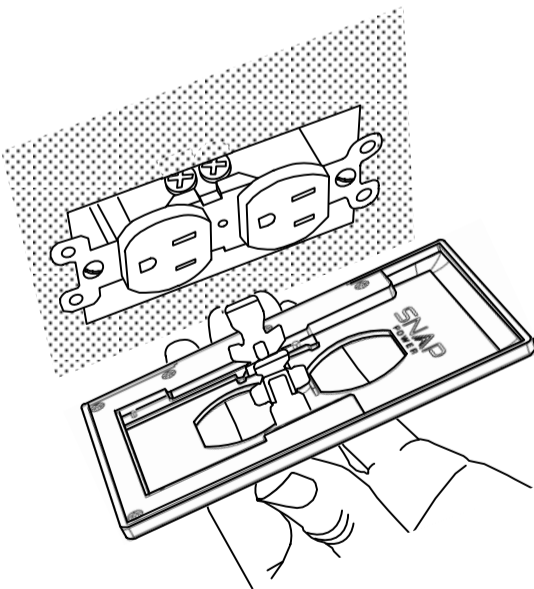
STEP 1: Select an outlet for the GuideLight will be installed over. The GuideLight is only compatible with standard duplex, décor, or GFCI outlets with side screw terminals.

STEP 2: TURN OFF POWER at the circuit breaker and TEST that the power is off at the outlet before removing the existing coverplate or proceeding with the installation.



STEP 3: Remove existing coverplate from the outlet.

STEP 4: Look into the box to determine if the areas around the screw terminals are clear so that the prongs can pass into the box and around the outlet. If the area is not clear, see the “Obstructions” section of this manual.



STEP 5: If clear, place the GuideLight over the outlet and secure with screw(s). Be sure that the prongs slide **inside** the electrical box.

STEP 6: Turn ON electrical power to the outlet. Darken the room to test for functionality.



WARNING

Failure to **turn OFF electrical power** prior to installing or removing the GuideLight can result in electrical shock, fires, and/or death.

Having difficulties? Here are some tips that might help. Your GuideLight has been individually tested and worked when it was shipped. It is very unlikely that the Product itself is malfunctioning. We'll walk you through some of the common issues that you might encounter.

QUICK OVERVIEW OF POSSIBLE INSTALLATION ISSUES

ISSUE	TROUBLESHOOTING STEPS
<p>You can't get the GuideLight installed over the selected outlet.</p>	<p>Is the outlet a standard duplex, décor, or GFCI outlet? If not, please select a different outlet. See the "Non-compatible Outlet" section of the troubleshooting guide.</p>
	<p>Is there an obstruction that is preventing the prongs from passing around the outlet and inside the electrical box? See the "Obstruction" section of the troubleshooting guide.</p>
<p>You have installed the GuideLight over a compatible outlet but it is not illuminating.</p>	<p>Did you turn the power back on?</p>
	<p>The GuideLight only illuminates when the area is dark. You may need to darken the room or place your finger over the light sensor. The light sensor is the oblong window in the lower, left-hand corner of the GuideLight.</p>
	<p>The GuideLight has a 3-position dimming switch, check to make sure it is in the "Low" or "High" position.</p>
	<p>Have you installed the GuideLight in the preferred orientation over your outlet? The switch should be on the same side as the ground on the outlet. See the "Orientation" section.</p>
	<p>Is there something interfering with the contact between the prongs and side screw terminals? See "Obstruction" section. Remember to turn the power off before removing the GuideLight!</p>
	<p>Adjust the GuideLight installation or prongs. See "Adjust" section.</p>
	<p>If your outlet is a GFCI you must use a GFCI Guidelight. To troubleshoot, first press the "Test" button and then press the "Reset" button.</p>

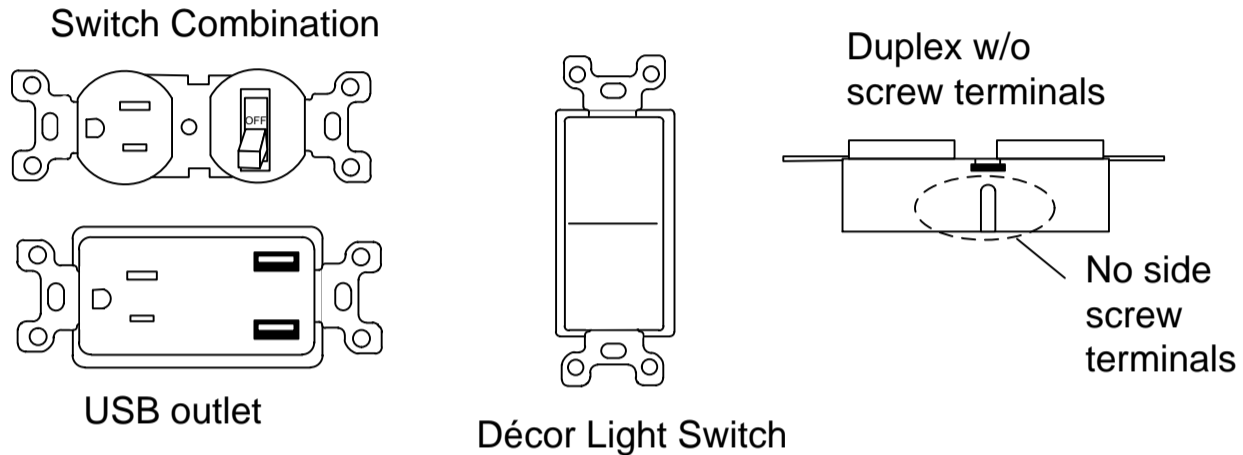


For additional instructions, troubleshooting and video resources, scan the QR code below or go to www.snappower.com/pages/resources

Non-compatible Outlets

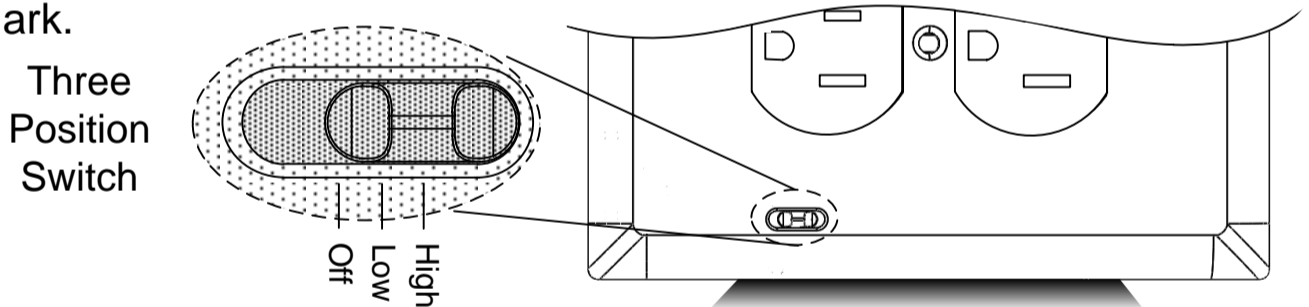
Remember that SnapPower Products are designed to fit over **standard** duplex, décor, and GFCI outlets with side screw terminals. These types of outlets represent the vast majority of outlets in North American homes. Below are some examples of nonstandard outlets. The Products will not work with nonstandard outlets. You will need to pick a different outlet for your Product. A list of compatible outlets is at www.snappower.com/compatible-outlets.

Non-compatible Outlets



Light Sensor and 3-Position Dimming Switch:

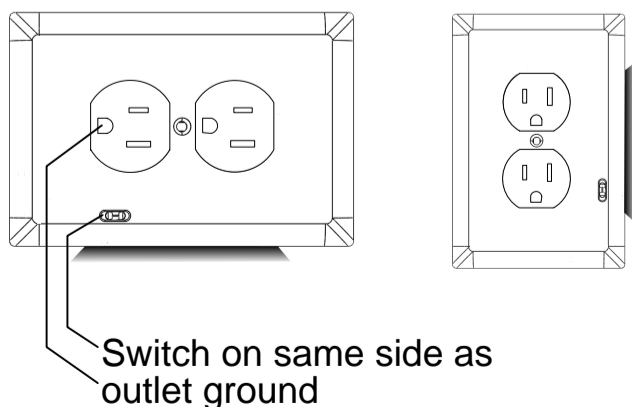
The light sensor for the GuideLight is located in the lower, left hand corner. On some GuideLights, the lens is also a 3-position dimming switch that provides Off, Low, and High settings for the LEDs. When in the "Off" position the GuideLight will not illuminate even when the room is dark.



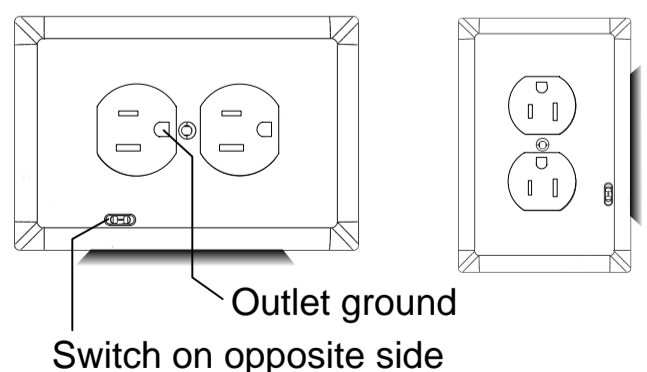
Orientation:

The Horizontal GuideLight can be installed with the switch on the same side as the ground of the outlet or on the opposite side. The GuideLight has greater compatibility if installed in the preferred orientation.

Preferred Orientation

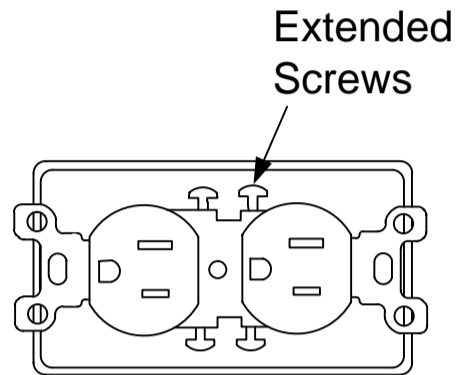
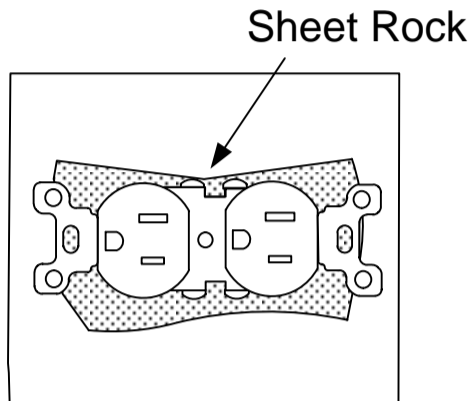


Alternative Orientation



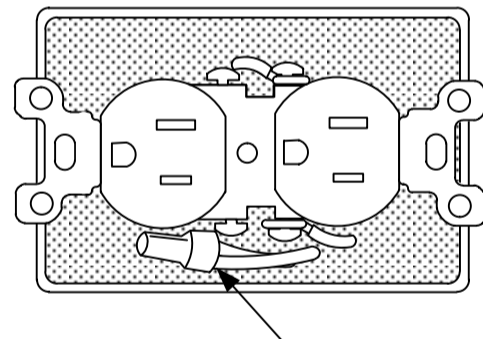
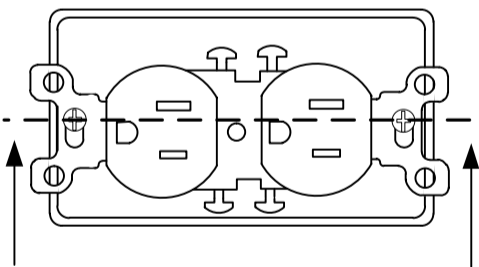
Obstructions

The way your outlet was initially installed could create a number of obstructions that prevent the GuideLight from being installed and/or operating correctly. Be sure to turn off electrical power before working around outlets. If you are unsure about any of these instructions, please consult an electrician.



Obstruction 1: Sheet Rock or other wall coverings can prevent the prongs from passing around the outlet. This can be solved by removing the excess sheet rock near the screw terminals. If you are unsure of how to properly do this, please consult an electrician.

Obstruction 2: Screws may be all the way out and catch the ends of the prongs. To solve this, simply maneuver the prongs around the screws during installation.



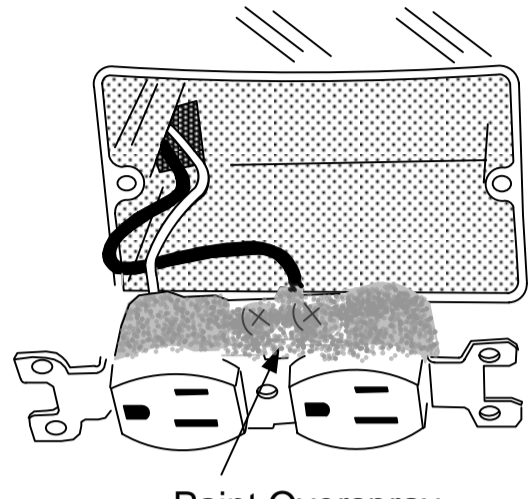
These wires may prevent the Product prong from contacting the screw terminal

Obstruction 3: Outlet not centered
If your outlet is not centered, there might not be room to insert the prongs on one side. If this is the case, your outlet will need to be centered. If you are unsure of how to do this, please consult an electrician.

Obstruction 4: Wires in the way
In order for the prongs to fit around the outlet the areas next to the screw terminals need to be free from obstructions. If there are wires blocking the side screw terminals, they will need to be moved. If you are unsure of how to do this, or if you see bare wires next to the screw terminals, please consult an electrician.



Electrical Tape



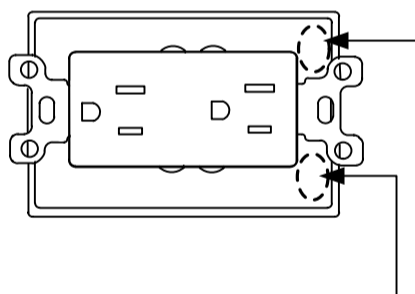
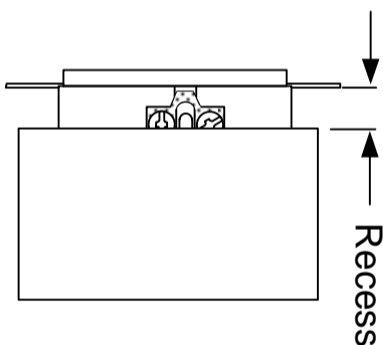
Paint Overspray

Obstruction 5: Electrical Tape

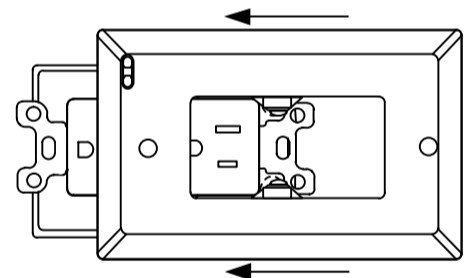
If electrical tape is wrapped around your outlet it will prevent the prongs from contacting the side screw terminals. This tape will need to be removed in order for the GuideLight to work. If you are unsure of how to do this, please consult an electrician.

Obstruction 6: Paint

Paint overspray can coat the sides of the outlet and prevent the prongs from making electrical contact with the screw terminals. This paint may need to be removed from the screw terminals for the GuideLight to work. If you are unsure of how to do this, please consult an electrician.



Insert prongs here



Slide the Product over the outlet into place

Obstruction 7: Recessed or narrow electrical box

Outlets are designed to be mounted inside an electrical box. In some situations, thick wall coverings (tile, paneling, etc) move the outlet forward and out of the box. The prongs may pass around the outlet and get caught on the recessed electrical box or go outside of the electrical box altogether. This can also occur with narrow electrical boxes. When prongs go outside of a metal electrical box, arcing between the screw terminals and metal box can occur. This can be solved by careful installation to ensure that the prongs are inserted inside the box.

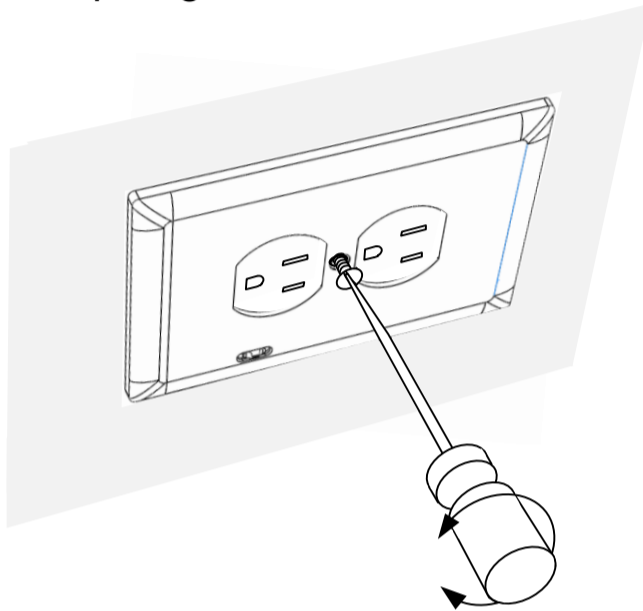
For outlets with recessed boxes, try initially inserting the prongs into the electrical box at the upper or lower yoke of the outlet, pushing the prongs into the electrical box and then sliding the GuideLight into place (see drawings above). For a video showing this installation, see our online troubleshooting videos at www.snappower.com. If you are unsure about any of the instructions, please consult an electrician.

Adjustments you can make:

There are a few things you can adjust if the GuideLight still isn't powering up:

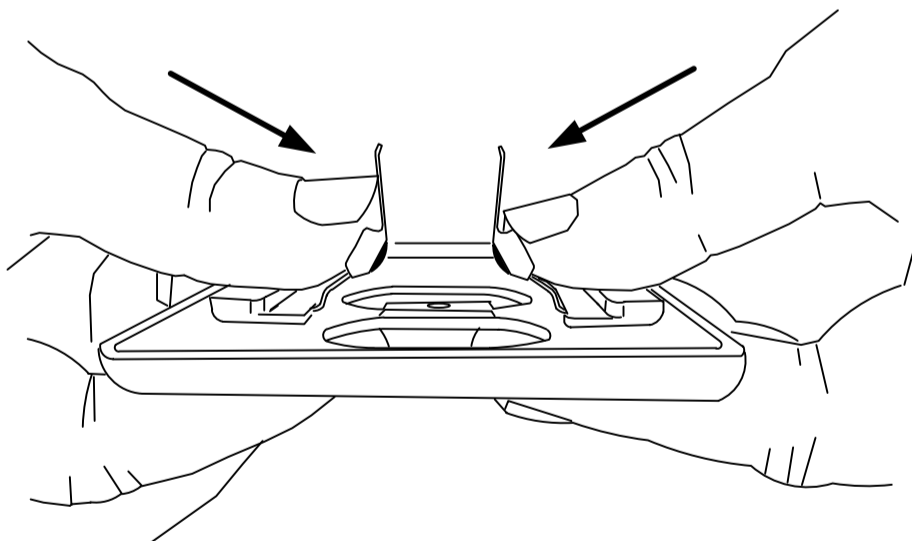
Adjust the screw(s)

Tightening or loosening the screw(s) that are holding the GuideLight in place over the outlet can improve contact between the prongs and the side screw terminals.



Adjusting the prongs

In some cases, the prongs may have been bent too far apart during the installation. To fix this, simply press them closer together as shown in the picture below. After adjustment, the distance between the prongs should be between 23-26 millimeters.



Push prongs inward to adjust distance

After adjusting the prongs, you can reinstall the GuideLight. Be sure to turn off the power before installation. Also, be sure that you guide the prongs carefully around the outlet.



SNAPPOWER GUIDELIGHT LIMITED ONE-YEAR WARRANTY

What this Limited Warranty Covers and For How Long

SnapPower warrants that the GuideLight accompanied by this limited warranty is free from manufacturing defects in materials and workmanship for a period of one (1) year from the date of original purchase, as shown on your invoice or sales receipt. This warranty extends only to the original consumer purchaser of the GuideLight from SnapPower or from an authorized reseller.

Disclaimer of Implied Warranties Beyond the Limited Warranty Period

The limited warranty period of one (1) year also applies to any implied warranties that may exist under applicable law, including the implied warranties of merchantability and fitness for a particular purpose. There are no warranties that extend beyond the description on the face hereof. Some states do not allow limitations on how long an implied warranty lasts, so the above limitation may not apply to you.

What this Limited Warranty does not Cover

This limited warranty does not apply to defects resulting from (1) overloading, misuse, abuse, alteration, accident, neglect, improper maintenance or handling, or normal wear and tear; (2) improper installation; (3) installation in an improper environment; and (4) any use that is not under normal operating conditions or not in accordance with any GuideLight packaging, warnings, or instructions for use.

What SnapPower will do

If you believe the GuideLight is defective, please return it to SnapPower in the manner described below within the limited warranty period of one (1) year from the date of purchase. If SnapPower determines there is a defect covered by this limited warranty, SnapPower will, at its option, repair, replace the GuideLight, or refund your purchase price. This limited warranty extends to repaired and replacement GuideLights and components only through the end of the original limited warranty period.

Limitations of Remedies under this Limited Warranty

The remedies provided herein are the exclusive remedies under this limited warranty, whether based on contract, tort or otherwise. In no event will SnapPower or any of its retailers, dealers, distributors or resellers be liable for incidental, indirect, special or consequential damages relating to the GuideLight (including any repaired or replacement GuideLight or component), its use, or its installation, including without limitation damage to, or loss of use of, any equipment, lost sales or profits or delay or failure to perform this warranty obligation. Some states do not allow the exclusion or limitation of incidental or consequential damages, so the above limitation or exclusion may not apply to you.

How State Law Applies

This limited warranty gives you specific legal rights, and you may also have other rights which vary from State to State.

What You Must do to Get Coverage Under this Limited Warranty

To make a claim under this limited warranty you must first contact SnapPower within the limited warranty period. Please write to: 426 E. 1750 N. Unit D, Vineyard, Utah 84059 or email support@snappower.com. You must provide proof of purchase in the form of your original sales receipt in order to obtain limited warranty coverage. SnapPower will perform the warranty obligations, if any, within 60 days of the Owner's submission of the warranty claim.