



FOOD-PROCESSOR - EMULSIFIER KE-5V

Bowl capacity: 5.5 lt. Variable speed.



- ✓ Appliance certified by NSF International (regulations on hygiene, cleaning and materials suitable for contact with foods).
- ✓ 100% tested.

INCLUDES

- ✓ Set of serrated blades.
- ✓ "Cut&mix" scraper.

OPTIONAL

- Smooth blades.
- Perforated blades.

ACCESSORIES

- Blades for CK / K / KE
- "Cut&mix" scrapers CK / K / KE

SPECIFICATIONS

Bowl capacity: 5.8 qt
 Bowl dimensions: Ø9.4 " x 5.9 "
 Total loading: 3 Hp
 Speed, min-max: 300 rpm / 3000 rpm

External dimensions (WxDxH)

- ✓ Width: 11.3 "
- ✓ Depth: 15.2 "
- ✓ Height: 19.2 "

Net weight: 39.7 lbs

Crated dimensions

17.3 x 14.0 x 22.4 "
 Volume Packed: 0.09 m³
 Gross weight: 51.8 lbs.

AVAILABLE MODELS

- 1050834 Cutter-Emulsifier KE-5V 230/50-60/1
- 1050836 Cutter-Emulsifier KE-5V 120/50-60/1
- 1050842 Cutter-Emulsifier KE-5V 230/50-60/1 K

* Ask for special versions availability

SALES DESCRIPTION

To cut, grind, mix and knead any food in seconds.
 Brushless technology: maximum efficiency.

Equipped with "brushless" technology: powerful and efficient motors.

- ✓ Maximum efficiency: maintain the torque throughout the speed range.
- ✓ Exclusive "force control system": guarantee of a uniform and high quality result.
- ✓ Lightweight and compact design: they weigh less, they occupy less space.
- ✓ Improved air/water-tightness since no ventilation is required.
- ✓ They generate less noise: improved workplace environment.

Efficiency and performance

- ✓ Possibility of programming by time and pulse button.
- ✓ Reverse function, ideal for mixing products instead of cutting.
- ✓ 5.5 litre stainless steel hopper.
- ✓ Polycarbonate lid with built-in "cut&mix" mixer.
- ✓ Depending on the purpose, the possibility of using optional smooth or perforated blades.

Built to last

- ✓ Robust construction of stainless steel and food-grade materials of the highest quality: stainless steel motor block with aluminium lid. Stainless steel hopper with highly-resistant polycarbonate lid.

Maximum comfort for the user

- ✓ Advanced control panel that is very intuitive to use and offers all the information at a glance.

Maintenance, safety, hygiene

- ✓ Safety microswitches on the hopper and lid position.



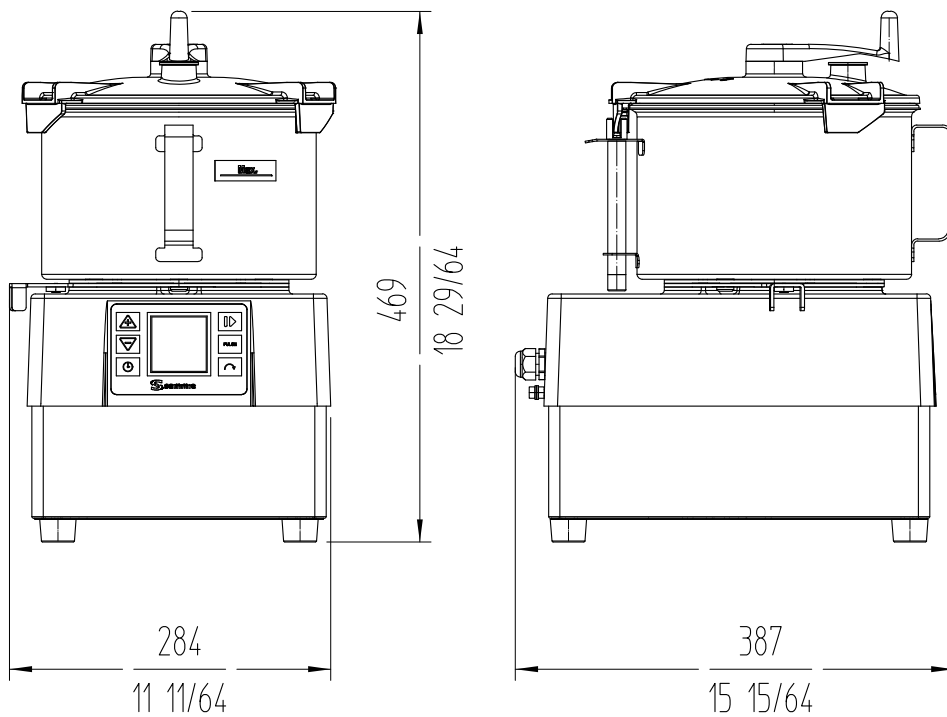


FOOD-PROCESSOR - EMULSIFIER KE-5V

Bowl capacity: 5.5 lt. Variable speed.



DYNAMIC PREPARATION
CUTTER-MIXERS & EMULSIFIERS



sammic | www.sammic.us
Food Service Equipment Manufacturer

usa@sammic.com
 1225 Hartrey Avenue
 60202-1056 Evanston, IL

phone +1 (224) 307-2232
 toll free +1 844 275 3848



Project	Date
Item	Qty
Approved	

product sheet
 updated 11/17/22