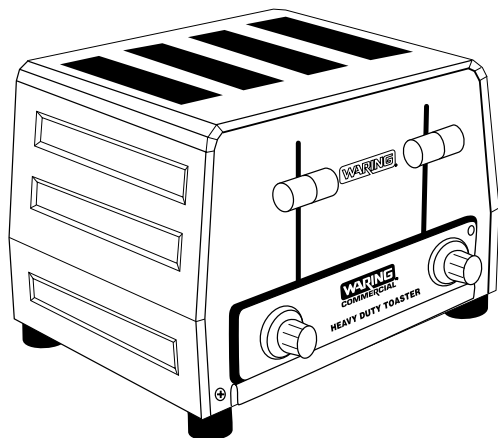


WARING COMMERCIAL[®]

Heavy-Duty Commercial Toasters
Tostadoras comerciales de servicio pesado
Grille-pain commerciaux à usage intensif



WCT800 SERIES

Operating Manual Manual de instrucciones Manuel d'utilisation

For your safety and continued enjoyment of this product,
always read the instruction book carefully before using.

Para su seguridad y para disfrutar plenamente de este producto,
siempre lea las instrucciones cuidadosamente antes de usarlo.

Afin que votre appareil vous procure en toute sécurité beaucoup de satisfaction,
lire attentivement le mode d'emploi avant de l'utiliser.

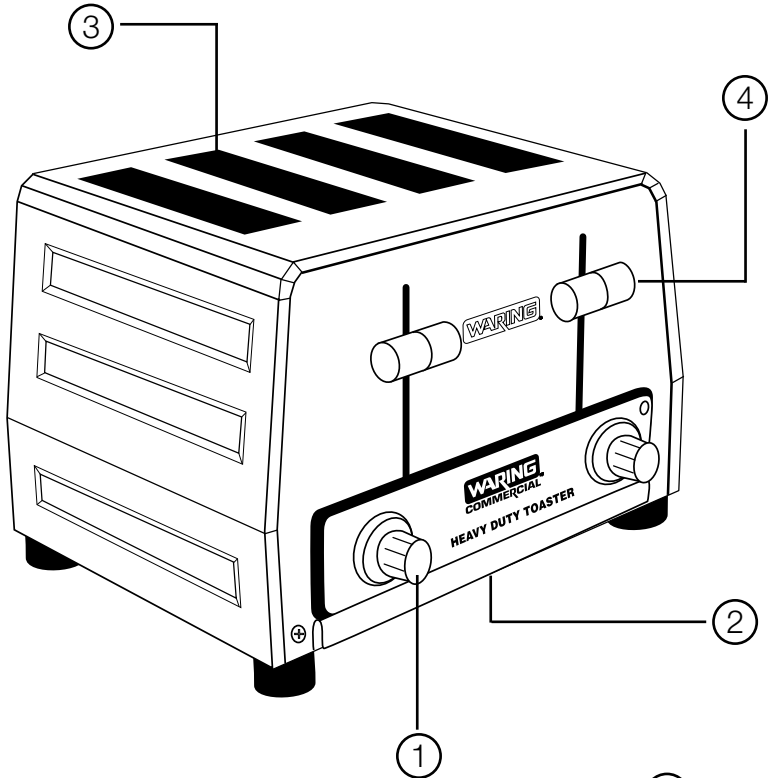
IMPORTANT SAFEGUARDS

When using electrical appliances, basic safety precautions should always be taken, including the following:

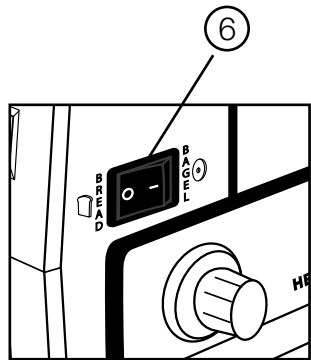
1. **READ ALL INSTRUCTIONS.**
2. **Do not touch hot surfaces. Use handles or knobs.**
3. **Always unplug from outlet prior to handling or cleaning.**
4. To protect against risk of electrical hazards, do not immerse cord, plug, or any part of the Waring® toaster in water or other liquids.
5. This appliance is not intended for use by persons (including children) with reduced physical, sensory, or mental capabilities, or lack of experience and knowledge, unless they have been given supervision or instructions concerning use of the appliance by a person responsible for their safety.
6. Children should be supervised to ensure that they do not play with the appliance.
7. Unplug from outlet when not in use and before cleaning. Allow unit to cool before cleaning or handling.
8. Do not operate any appliance with a damaged cord or plug or after the appliance has been dropped or damaged in any way, or if it is not operating properly. Return the toaster to the nearest Waring authorized service facility for examination, repair, or adjustment.
9. The use of attachments not recommended or sold by Waring may cause injury.
10. Do not use outdoors.
11. Do not let cord hang over edge of table or countertop, or touch hot surfaces.
12. Do not place on or near a hot gas or electric burner or in a heated oven.
13. Do not use this toaster for other than its intended use.
14. **FIRE MAY OCCUR IF THE TOASTER IS COVERED OR TOUCHING FLAMMABLE MATERIALS SUCH AS DRAPERIES OR WALLS WHEN IN OPERATION. DO NOT OPERATE UNDER WALL CABINETS.**
15. Oversize foods, metal foil packages or utensils must not be inserted in a toaster as they may involve a risk of fire or electrical shock.
16. Do not attempt to dislodge food when toaster is plugged into electrical outlet.
17. To avoid possibility of fire, do not leave toaster unattended during use.
18. Put this list in a safe place – do not discard.
19. Do not store or use gasoline or other flammable vapors or liquids in the vicinity of this or any other appliance.

SAVE THESE INSTRUCTIONS
For Commercial Use

WCT800 SERIES TOASTERS



- 1) Electronic Browning Control
- 2) Slide-out Crumb Tray
- 3) Toaster Slot
- 4) Carriage Control Lift Lever
- 5) 3 ft. Power Cord (not shown)
- 6) Bread/Bagel Switch
(For WCT850 only)



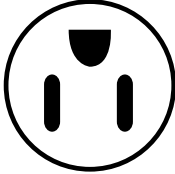


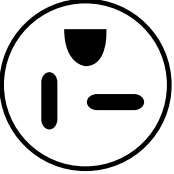
Conforms to ANSI/UL STD 197

Specifications

Phase	Model	Amps	Watts	Frequency (Hz)	Voltage	Cord	Plug Supply
1	WCT800	19	2200	60	120	3 ft.	5-20P
1	WCT800RC	15	1800	60	120	3 ft.	5-15P
1	WCT800RCND	12	1440	60	120	3 ft.	5-15P
1	WCT805	10/12	2028/2700	60	208/240	3 ft.	6-15P
1	WCT805B	13	2700	60	208	3 ft.	6-20P
1	WCT810	17	2025	60	120	3 ft.	5-20P
1	WCT815	8/9	2025	60	240	3 ft.	6-15P
1	WCT815B	10	2025	60	208	3 ft.	6-15P
1	WCT820	12.5	1500	60	120	3 ft.	5-15P
1	WCT825	6.25	1500	60	240	3 ft.	6-15P
1	WCT825B	7.2	1500	60	208	3 ft.	6-15P
1	WCT850	13.5	2800	50/60	208	3 ft.	6-20P
1	WCT850RC	15	1800	50/60	120	3 ft.	5-15P
1	WCT855	11.25	2700	50/60	240	3 ft.	6-15P
1	WCT850RCND	11.5	1380	50/60	120	3 ft.	5-15P

Grounding Instructions

For your protection, the Waring® Commercial toasters are supplied with a molded 3-prong grounding-type plug and should be used in combination with a properly connected grounding-type outlet. Use of any other voltage or altering of the plug or cord may damage the unit, will void warranty and may cause injury.

120V	120V	208/240V	208/240V
			
NEMA 5-15P	NEMA 5-20P	NEMA 6-15P	NEMA 6-20P

3 ft. Cord with Plug Configuration

Special Cord Set Instructions

A short power-supply cord is provided to reduce the risks result from becoming entangled in or tripping over a longer cord.

Extension cords may be used if care is exercised in their use.

If an extension cord is used, the marked electrical rating of the extension cord must be at least as great as the electrical rating of the appliance, and the longer cord should be arranged so that it will not drape over the countertop or table top where it can be pulled on by children or tripped over. If the appliance is of the grounded type, the extension cord should be a grounding type 3-wire cord.

Operation

1. Put toaster on counter or flat, dry surface near electrical outlet.
2. Place bread in all the slots, set both browning controls and push down the carriage control levers. The toasted bread will automatically rise when the bread cycle is complete.
3. The regular slots toast both sides of bread, while bagel slots toast only on one side.
4. To stop toasting mid-cycle, just lift up the carriage control lever.
5. WCT810/WCT815/WCT815B:

The sliced side of bagels and buns needs to face to the left. Arrows on toaster indicate toasting side.

WCT820/WCT825/WCT825B:

The sliced side of bagels and buns should follow the diagram on the top panel of the toaster.

WCT850: To toast both sides of bread, switch must be positioned on the bread selection. To toast only one side, switch must be positioned on the bagel selection. The sliced side of bagels and buns should follow the diagram on the top panel of the toaster.

CAUTION: The removable crumb tray must be completely inserted before toaster can be operated. If the tray is removed for cleaning, ensure that it is replaced before using toaster. Crumb tray is dishwasher safe.

Cleaning and Maintenance

Let toaster cool before any cleaning operation.

1. To clean outer surface: Let toaster cool. Unplug power cord. Wipe down exterior with damp cloth. Prevent liquid from running into toaster slots. Before using, allow toaster's outer surface to dry.
2. To clean crumb tray: Remove the crumb tray and discard crumbs. Wipe crumb tray clean and replace in toaster. Never operate the toaster without the crumb tray in place. Crumb tray is dishwasher safe.
3. To remove any pieces of bread remaining in the toaster, unplug toaster, turn the toaster upside down and gently shake. Never insert any metal or sharp instrument into the toaster slots. This could damage the toaster and cause a safety hazard.
4. Any other servicing should be performed by an authorized service representative.

Warning – To prevent electric shock, unplug before cleaning.

LIMITED 1 YEAR WARRANTY

Waring warrants every new COMMERCIAL PRODUCT to be free from defects in material and workmanship for a period of 1 year from the date of purchase when used with foodstuffs, nonabrasive liquids (other than detergents) and nonabrasive semi-liquids, providing it has not been subjected to loads in excess of the indicated rating.

Under this warranty, the Waring Commercial Division will repair or replace any part which, upon examination, appears to us to be defective in materials or workmanship, provided the toaster is delivered prepaid to the Waring Service Center at 314 Ella T. Grasso Avenue, Torrington, CT 06790 or any Authorized Service Center.

This warranty does not: a) apply to any unit that has become worn, defective, damaged or broken due to use, repairs, or servicing by other than the Waring Service Center or an Authorized Service Center or due to abuse, misuse, overloading or tampering; or b) cover incidental or consequential damages of any kind.

This warranty gives you specific legal rights, and you may have other rights, which vary from state to state, so that certain limitations or exclusions set forth above may not apply to you.

WARNING-This warranty is VOID if the appliance is used on Direct Current (DC).

Waring Commercial
314 Ella T. Grasso Avenue
Torrington CT, 06790
www.waringcommercialproducts.com



SERVICE

Refer to the list of Authorized Service Centers enclosed with your Waring® Toaster for the name of the nearest Service Center, or contact Waring in one of the following 3 ways:

- 1) Mail: SERVICE CENTER
314 ELLA T. GRASSO AVENUE
TORRINGTON, CT 06790
- 2) Product Service: (800) 269-6640 or (800) 4WARING
- 3) Internet: <http://www.waringcommercialproducts.com>
E-mail: service@waringproducts.com

Ship units for repair to the above address or to an Authorized Service Center.

Do not ship to a Waring Sales Office.