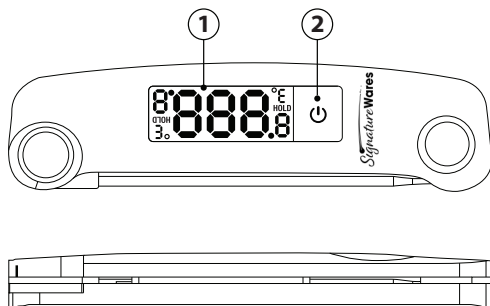


Thank you for purchasing the SignatureWares Folding Pocket Thermometer. Please read the following instructions below before use.

## OVERVIEW

### DISPLAY UNIT-FRONT / SIDE / DISPLAY UNIT-REAR VIEW



1. LCD Screen
2. Touch Key
3. Metal Probe
4. °C to °F Toggle Button
5. Battery Compartment

## KEY FEATURES

- Temperature Measuring Range: -40°F to 572°F / -40°C to 300°C
- Accuracy of Measurement: 1.8°F (0.1°C)
- Backlight
- 180° Rotating Display
- Touch Key Button to hold temperature reading

## INSTALLATION OF BATTERY (1 x CR2032)

To replace battery, use a coin to turn the battery compartment counter clockwise to the unlock position. Remove the cover and insert battery. Replace cover and using a coin turn the battery compartment clockwise to the lock position. Your thermometer is now ready for use.

## OPERATING THE THERMOMETER

- The thermometer probe should be inserted into the center of the food that is being cooked for an accurate temperature.
  - NOTE:** The stainless-steel probe will get hot. **Do not** use this thermometer in a microwave oven or expose it to flames or temperatures exceeding 572°F (300°C).
- Once the probe is inserted in the food, press the **Touch Key** button until you see HOLD appear on the display. The temperature will now be locked into place.
- To release the temperature HOLD press the **Touch Key** button until you no longer see HOLD on the display.
- When the backlight goes out after 60 seconds, press the **Touch Key** again until the backlight comes back on. The light will stay on for 15 seconds.
- The thermometer will shut down after 10 minutes of inactivity. Press the **Touch Key** to wake up the thermometer.
- Close the probe to shut off the thermometer. Open the probe to turn on the thermometer.

## CHECK CALIBRATION

- Make an ice slurry in a glass using ¾ of crushed ice and ¼ of cold water.
- Open the probe and place it in the ice slurry.
- Leave the probe in the ice slurry for about 10 seconds or until the display is stable. The stable value should be between -2°C and +2°C
- Once the display is stabilized, press and hold the **Touch Key** button for 3 seconds. You will see **CL** flash 3 times on the display. This is to let you know that you have entered the user calibration mode.
- Next your unit will automatically clear/calibrate and return to the normal temperature measurement mode.

## TROUBLESHOOTING

Displayed	Meaning
HHH	Temperature is above the max range
LLL	Temperature is below the minimum range
LO	Battery voltage is lower than 2.5v (± 0.1v)
240₂	Hardware is defective
Err	Equipment sensor error

## CARE INSTRUCTIONS

- Clean the probe after each use.
- Wash the stainless-steel probe with hot soapy water and dry thoroughly.
- To avoid damage, **do not** use cleaning agents or abrasive cleaners.

## ONE YEAR WARRANTY

The Folding Pocket Thermometer has a 1 year warranty to be free of manufacturing defects in materials and workmanship under normal applications for the original owner. If this product becomes inoperable due to defect, visit [www.russellhendrix.com/topic/signaturewares\\_warranty](http://www.russellhendrix.com/topic/signaturewares_warranty) to arrange a return, if eligible. The original receipt is required to provide the original invoice number, product item number, and quantity purchased to confirm items are eligible for return. All component pieces and proof of purchase must be included with any return. This warranty does not cover any shipping/transport costs. This warranty does not apply if the product is subject to misuse, neglect, rough handling or damage.