



Rhino[®] Square Knock Chute

PRODUCT ID: RWKC

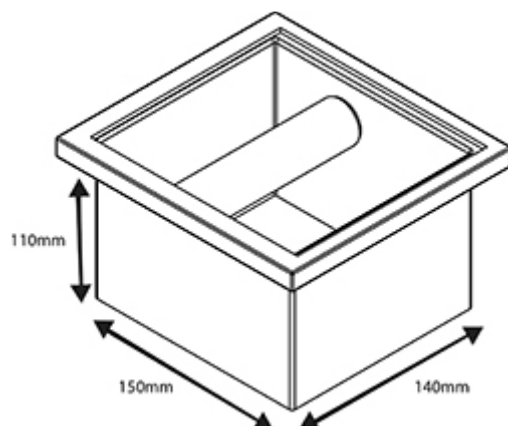


DESCRIPTION

Made from heavy duty 304 grade stainless steel, this knock chute has a small foot print, making it an easy fit into just about any position in a counter top. Using an 'in-bench' chute takes up less bench space (and keeps the floor clear). The chute design also allows for 'under counter' grounds disposal into a wide variety of multipurpose bins. The knock bar is welded to the side, which not only makes it secure but reinforces the sides - making the Rhino Coffee Gear Coffee knock chute one of the "toughest" on the market! The replacement rubber sleeve helps protect your portafilter and reduces noise. The rubber gasket surround protects both the bench and the barista's fingers. It's also easily replaceable.

It is recommended you use the actual product as the template when cutting into benchtops to ensure your measurements are exact.

The dimensions are approx 140mm x 150mm x 110mm (5.51" x 5.91" x 4.33")



SPECIALTY BEVERAGE SOLUTIONS

7519 Flint Road SE | Calgary, AB T2H1G3 | Ph: 888-805-5528 | email: sales@sbsolutions.ca

www.sbsolutions.ca