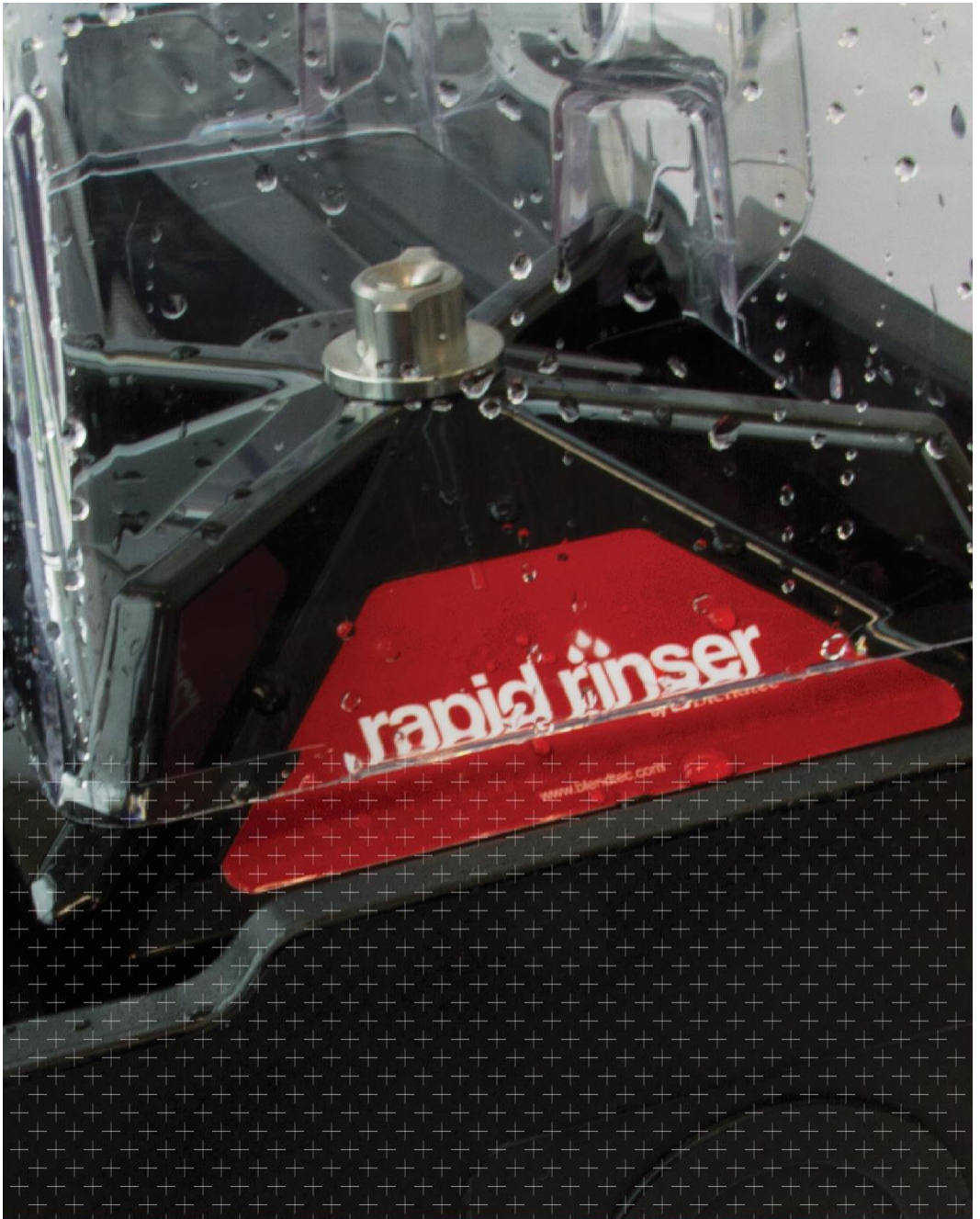
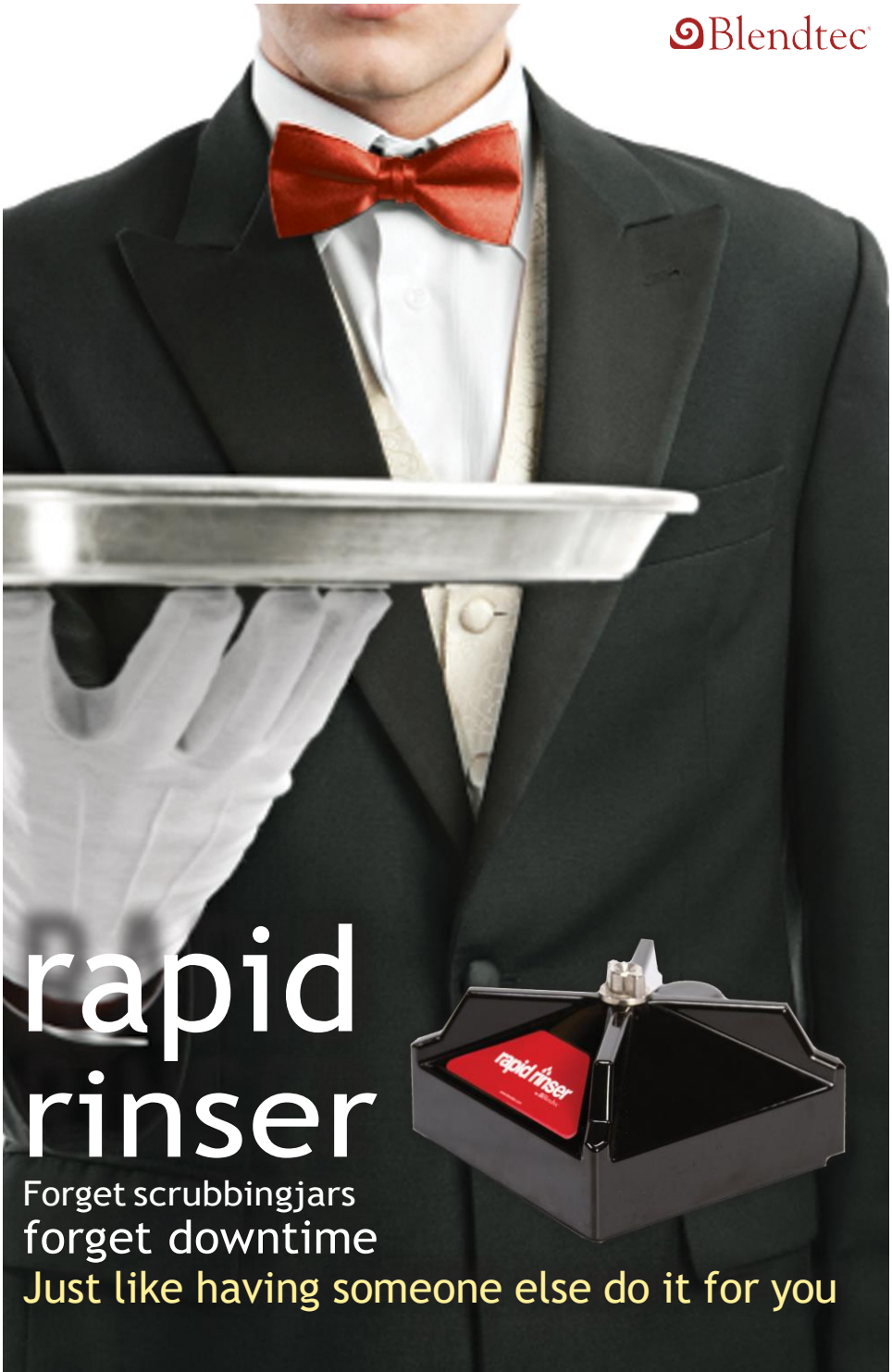




www.commercial.blendtec.com | Rapid Rinser and Rapid Rinse Station



Owner's Manual



rapid rinser

Forget scrubbing jars
forget downtime

Just like having someone else do it for you

SECTION 1 – IMPORTANT SAFEGUARDS

Read all instructions carefully before using your Rapid Rinser



1.1 HEALTH CERTIFICATION

The Blendtec Rapid Rinser and its accessories are certified by NSF International (NSF), under Blendtec

1.2 WATER HOSE PRECAUTIONS

- ▶ Do not operate with a damaged water hose or fitting
- ▶ Should the water line or fitting become damaged, it should be replaced by a qualified person to avoid hazard
- ▶ Do not allow the water line to hang over the edge of the work surface
- ▶ Always shut the water off at the source before cleaning, moving, or servicing

1.3 TURN OFF THE WATER WHEN NOT IN USE

1.4 NEVER OPERATE THIS DEVICE WITHOUT A BLENDER JAR (OR OTHER DRINK CONTAINER) IN PLACE

- ▶ Avoid contacting the spray nozzle while the system is pressurized
- ▶ Never use the unit if it is not secured to the work surface with the suction cups provided or used in the Rapid Rinse Station
- ▶ Do not rinse cracked or broken glassware with this device

1.5 NEVER OPERATE THE UNIT IF IT APPEARS TO BE DAMAGED

If the unit malfunctions, call Blendtec first. If it is dropped or damaged in any way, call Blendtec Technical Support at 1-800-Blendtec (1-800-253-6383) to evaluate the extent of damage and the possibility of either repair or replacement.

1.6 INSTALL UNIT WITH APPROPRIATE BACKFLOW PROTECTION

Backflow prevention must be installed to comply with federal, state or local codes that have jurisdiction over the location.

1.7 DO NOT USE WATER THAT IS HOTTER THAN 120°F (48°C) IN THE RAPID RINSER

SECTION 2 - COMPONENT OVERVIEW

2.1 EXTERNAL VIEW AND COMPONENTS

Refer to the lower left figure (Figure 1) below to identify the external components of the rinser:

- 1 ♦ Spray nozzle
- 2 ♦ Rinser base
- 3 ♦ Water hose
- 4 ♦ Suction cups
- 5 ♦ 3/8" Compression fitting (Optional 3/8" BSPT adapter)

2.2 INTERNAL COMPONENTS

Refer to the lower right figure (Figure 2) below to identify the internal components of the rinser:

- 1 ♦ Magnet
- 2 ♦ Spring
- 3 ♦ Upper shell
- 4 ♦ Nozzle vane
- 5 ♦ Nozzle
- 6 ♦ Lower shell
- 7 ♦ Water valve

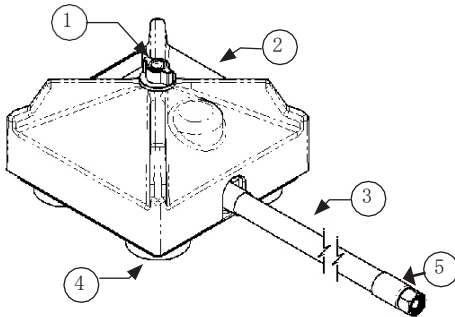


Figure 1

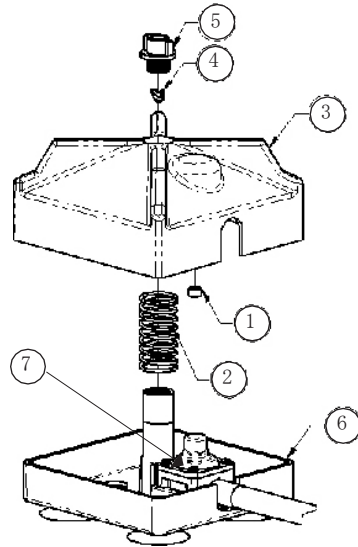


Figure 2

SECTION 3 - UNPACKING

Save your packaging materials for future storage or return shipping ♦ Save these instructions for future reference ♦

3.1 UNPACKING YOUR RAPID RINSER

You should have received the following items in your package:

- 1 ♦ Rapid Rinser
- 2 ♦ Water hose
- 3 ♦ Owner's manual
- 4 ♦ Rapid Rinse Station - Optional see section 8

Remove all components from shipping carton and verify all items were included in the box. Check for any packing materials that may have blocked any of the openings of the Rapid Rinsers, the water hose or compression fitting. Inspect all items for possible handling damage, immediately contact your Blendtec representative if there is evidence of broken or missing parts.

3.2 RECORDING YOUR DATE OF PURCHASE / RECEIPT

Record below the date you received / purchased your Rapid Rinsers. You will need this date when contacting Blendtec for service.

Date of Purchase / Receipt _____

SECTION 4 - INSTALLATION

This equipment is to be installed with adequate backflow protection to comply with federal, state, or local codes having jurisdiction.

4.1 PLACE THE RAPID RINSER IN THE SINK BASIN WHERE IT WILL BE USED

Ensure the suction cups provided adhere to the basin floor (lightly moisten each cup with a drop of water to facilitate suction).

4.2 PLACE A BLENDER JAR (OR OTHER RINSABLE CONTAINER 8" [20.3cm] WIDE OR SMALLER) OVER THE SPRAY NOZZLE

4.3 CONNECT THE WATER HOSE TO AN AVAILABLE WATER LINE

It is recommended that a certified plumber install the available water line with its own shut-off valve.

4.4 TURN THE WATER ON

After the water line has been connected to the rinsers, turn on the water supply. It is strongly recommended that you use hot water following the requirements stated in section 1.7.

4.5 PRIME THE RINSER

Press the blender jar (or other rinsable kitchen container) down to activate the Rapid Rinsers. A steady spray of water should shoot from the nozzle into the blender jar. Release the pressure on the blender jar to stop the flow of water. Should the above not work, contact your Blendtec representative.

SECTION 5 - OPERATING INSTRUCTIONS

5.1 PLACE THE BLENDER JAR (OR OTHER RINSABLE KITCHEN CONTAINER) UPSIDE DOWN ON THE RAPID RINSER BASE

5.2 TURN THE WATER ON TO ACTIVATE THE RAPID RINSER

5.3 FIRMLY PRESS THE BLENDER JAR DOWN TO ACTIVATE WATER VALVE

5.4 RELEASE THE DOWNWARD PRESSURE WHEN THE JAR HAS BEEN RINSED TO YOUR SATISFACTION

5.5 ONCE THE SPRAY OF WATER HAS SUBSIDED, REMOVE THE RINSED BLENDER JAR AND ALLOW IT TO DRY IN THE INVERTED POSITION

5.6 TURN THE WATER OFF WHEN THE RAPID RINSER IS NOT IN USE. THIS WILL PREVENT ANY POSSIBILITY OF SPRAY WHEN A BLENDER JAR IS NOT IN POSITION

SECTION 6 - SANITATION

6.1 SHORT-TERM SANITATION

Shut off the water ♦ Disconnect the water hose from the water source ♦ Carefully pull the Rapid Rinser away from the sink basin floor ♦ Immerse the entire Rapid Rinser in a sink full of sanitizing solution per the sanitizer's manufacturer's recommendation ♦ Pull the Rapid Rinser out of the sanitizing solution and rinse it completely with clean water ♦ Allow the unit to dry ♦ Re-attach the water fitting to the water source ♦

6.2 LONG-TERM SANITATION

Shut off the water ♦ Disconnect the water hose from the water source ♦ Carefully pull the Rapid Rinser away from the sink basin floor ♦ Unscrew the spray nozzle from the bottom shell ♦ Carefully separate the two halves of the Rapid Rinser ♦ DO NOT misplace the spring inside the unit (see Figure 2) ♦ Always clean and sanitize the unit as per the requirements of your governing health department ♦

Thoroughly rinse the Rapid Rinser and all of its components after sanitation ♦ Set the Rapid Rinser and all of its components aside and allow them to dry completely ♦ Reassemble the Rapid Rinser by carefully placing the spring on top of the female threaded portion of the water valve (Figure 2) ♦ Place the top shell of the Rapid Rinser over the spring such that the opening aligns with the spring ♦ Insert the spray nozzle into the opening and thread until tight ♦ Replace the Rapid Rinser in the sink basin and reattach the water hose to the water source ♦

SECTION 7 - WARRANTY AND SERVICE

7.1 THE BLENDTEC RAPID RINSER IS WARRANTIED FOR A PERIOD OF ONE YEAR FROM THE DATE OF PURCHASE / RECEIPT AGAINST MANUFACTURING AND MATERIAL DEFECTS. THE STAINLESS STEEL SPRAY NOZZLE HAS A LIFETIME WARRANTY

7.2 NOTE: OBVIOUS ABUSE OR MISTREATMENT OF THE RAPID RINSER MAY VOID THE WARRANTY

7.3 SHOULD YOU NEED SERVICE, PLEASE CONTACT YOUR BLENDTEC REPRESENTATIVE

rapid rinse station

forget the sink
Forget the mess

JUST let it do your dirty work



 Blendtec

SECTION 8 – RAPID RINSE STATION

With the addition of the Rapid Rinse Station you will no longer need to place your Rapid Rinser in a sink. With a water line and a drain line, you can put the Rapid Rinse Station in the most convenient spot in the store. Most people like to put it right next to their Blendtec blender to save time and make life smoother.

8.1 SPECIFICATIONS

DIMENSIONS: 20 1/2" L x 8 1/3" W x 6 1/5" H (51 3/3 cm x 21 1/1 cm x 16 1/5 cm)

WEIGHT: 5 1/3 lbs (2 1/4 kg)

DRAIN CONNECTION: 3/4" Garden Hose Thread

8.2 DIRECTIONS

- ▶ Place the Rapid Rinser in the Rapid Rinse Station as shown below. If you already own the Rapid Rinser, remove the four suction cups on the bottom before placing in the station.



- ▶ Connect a 3/4" garden hose drain line to the back of the rinse station and in accordance with your local codes. We recommend using a licensed plumber for installation. Make sure the drain line slopes away from the station since it is a gravity-driven system.
- ▶ Do not allow the water line or drain line to hang over the edge of the work surface.
- ▶ Always shut the water off at the source before cleaning, moving, or servicing.

8.3 CLEANING / SANITATION

- ▶ Using a mild soapy solution, wipe down all surfaces of the Rapid Rinse Station
- ▶ Use clear, hot water to rinse the surfaces of the Rapid Rinse Station. A handheld spray bottle will work best.
- ▶ To sanitize the surfaces of the Rapid Rinse Station either spray or wipe the surfaces of the Rapid Rinse Station with the sanitizing solution diluted to the recommended level and left on the unit per the manufacturer's specification.

8.4 DRYING / STORAGE

- ▶ The area behind the Rapid Rinse Station is designed to store and dry your jars. See picture below for example of how this works.





1206 South 1680 West
Orem, Utah 84058 U S A
1-801-222-0888
commercialblendtec.com

©2011 K-TEC, Inc. All Rights Reserved. Blendtec is a registered trademark of K-TEC, Inc.
OWN-CE-070 Manual, Owner's, Rapid Rinser and Rapid Rinse Station Rev 01 Jul 2011