

## FLAVOUR CHAR BROILER

This is our QUEST original design, incorporating a three sided insulated splash to This broiler was developed for operators who in the past were using solid fuel such as mesquite to obtain very high cooking temperatures for performance and a unique smoke flavour not possible with traditional charcoal broilers. The QUEST QBD series retains the same unique profile as other QUEST equipment, but has a slightly taller body to incorporate a pull out flavouring tray where a small quantity of wood chips can be burned.



Model QBD 34



### Product Features

- Burners on 4" spacing, each with infinite gas control
- Gas infra-red radiant design for clean, efficient and extremely fast heat-up
- High performance with surface temperature matching mesquite
- 8" wide cast cooking grate sections provide product support and branding for that ever important eye appeal
- Sanitary design, all welded, all stainless steel construction
- Available in four standard models (26", 34", 42", and 50" width)

### Optional Features

- 8½" low profile version without flavour drawer
- Front condiment rail, plating shelf or "Belly Bar"
- Knob guards
- Flexible gas connector kit
- Adjustable counter legs
- Custom widths available

## Optional Bases



**Model EST**  
SS Tubular Stand  
(with or without shelf)



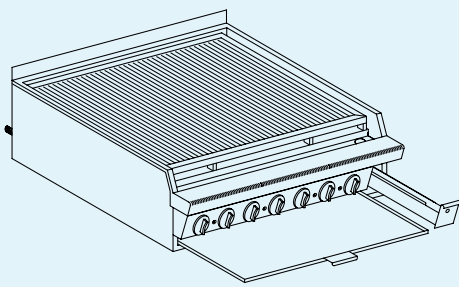
**Model ESA**  
SS Cabinet Base  
(with or without doors)



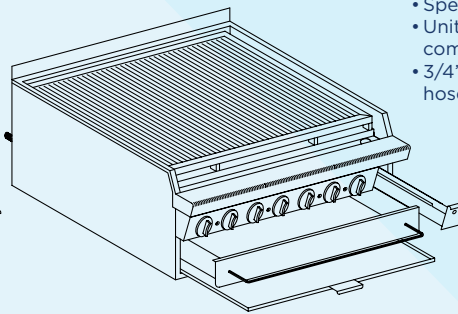
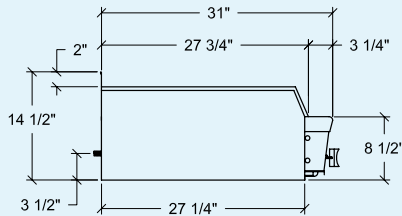
**Model QRB**  
Refrigerated  
Drawer Base



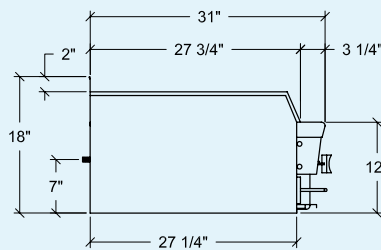
**Model QGRO & QGCO**  
Standard and Convection  
Oven



MODEL QBDX34  
FLAVOURING BROILER  
(W/O DWR) SHOWN

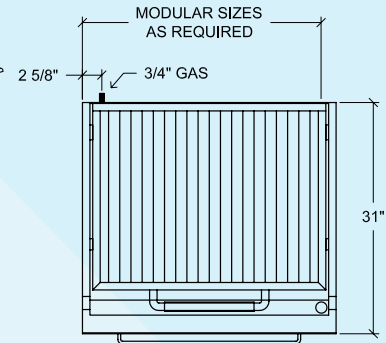


MODEL QBD34  
CHAR BROILER  
SHOWN



### Installation Notes

- Specify natural gas or propane
- Unit requires 6" (150 mm) clearance from combustible walls at back and 3" (75 mm) at sides
- 3/4" (19 mm) gas connection at rear (ideal for gas hose connection)



3/4" REAR GAS CONNECTION, REGULATOR REQUIRED FOR NAT. GAS, SUPPLIED LOOSE, SET AT 3.5 W.C.

27" clearance required in front for removal of grease container

MODEL	WIDTH (mm)	DEPTH (mm)	BODY HEIGHT W/O DRAWER (mm)	BODY HEIGHT WITH DRAWER (mm)	BTU'S	GAS LINE	GRID SIZE		SHIPPING WEIGHT	
							SQ IN	SQ CM	LBS	KGS
QBD 26	26" (660)	31" (790)	8 1/2" (216)	12" (305)	75,000	3/4" (19)	624	4026	240	110
QBD 34	34" (865)	31" (790)	8 1/2" (216)	12" (305)	105,000	3/4" (19)	832	5368	305	140
QBD 42	42" (1065)	31" (790)	8 1/2" (216)	12" (305)	135,000	3/4" (19)	1040	6710	365	170
QBD 50	50" (1270)	31" (790)	8 1/2" (216)	12" (305)	165,000	3/4" (19)	1248	8052	430	195

**NOTE:** Dimensions are accurate at time of publication but subject to change without notice. If sizes are critical consult the factory.

# Quest

**METAL WORKS**

A DIVISION OF RUSSELL FOOD EQUIPMENT



889 Erin Street, Winnipeg, Manitoba R3G 2W6 Canada

Office: 204.786.2403 • Fax: 204.783.7598

Email: [sales@questmetal.com](mailto:sales@questmetal.com)

[questmetal.com](http://questmetal.com)