



Char-Brush Product #CC #CM Char-Brush

Prince Castle's Char-Brushes are designed to clean high production char-broilers by thoroughly removing food residue from cooking surfaces.

The best char-broiler cleaning tools ever designed, model CC and model CM char-brushes clean char-broilers quickly and easily. The tough spring bristles and ergonomically designed pistol-grip handles help operators clean more efficiently with less effort.

Two brush types are available - Coarse (CC) and Medium (CM). It is recommended to use both for best cleaning results.

Product Features

- Cleans char-broilers quickly.
- Two models available - Coarse (CC) and Medium (CM).
- Tough, spring-steel bristles.
- 24" metal pistol-grip handle.
- Cleans thoroughly.
- Replacement brushes available.



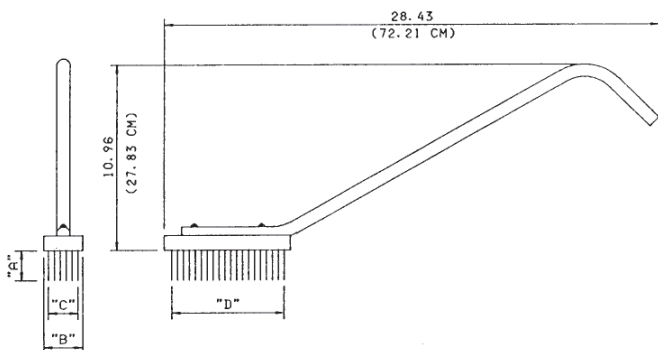
Dimensions

Model Number	Width in (cm)	Length in (cm)	Height in (cm)	Shipping Weight lbs (kg)
CC	2.50 (6.35)	11.00 (27.83)	28.50 (72.21)	10.00 (4.54)
CM	2.25 (5.71)	11.00 (27.83)	28.50 (72.21)	10.00 (4.54)

Ordering Information

Model Number	Description
CC	Char-Brush Coarse (min qty 6)
CM	Char-Brush Medium (min qty 6)

Specifications



Accessories

Model Number	Description
CC-1	Replacement Brush Only - Coarse (min qty 12)
CM-1	Replacement Brush Only - Medium (min qty 12)

