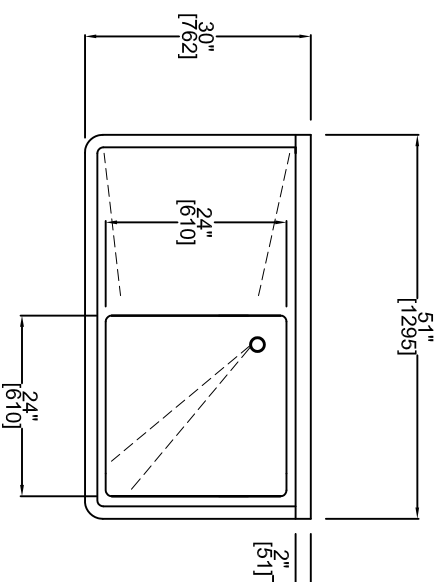


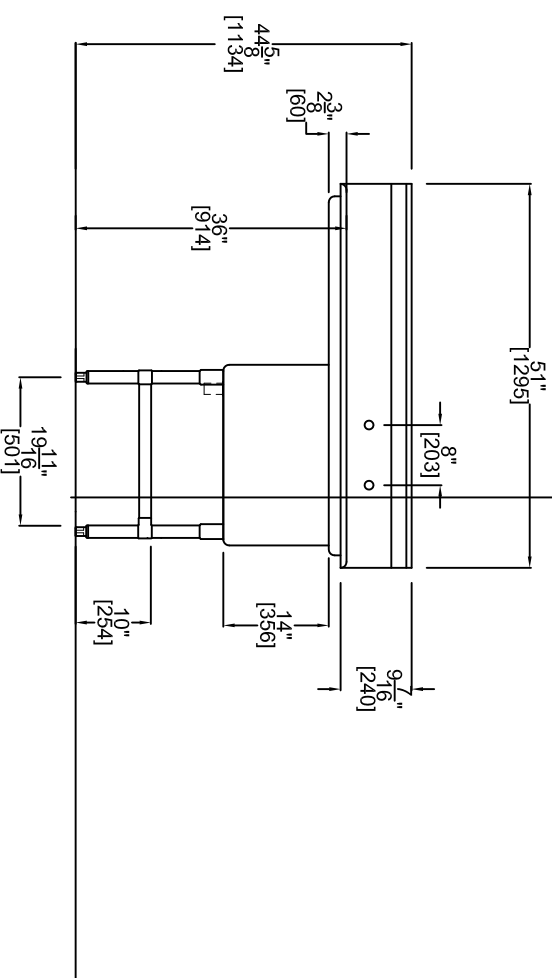
CONSTRUCTION OF 1 COMPT. SINK c/w L HAND SIDE DRAINBOARD.

MODEL: MA-S2424-1-L24
CONSTRUCTED: 18ga. S.STEEL 304 FINISH
1 5/8" dia. LEGS and BRACES 16ga. GALVANIZED
c/w ADJUSTABLE BULLET FEET
SINK: 24"x24"x14" dp. ALL COVERED CORNERS
SINK SLOPE TO 2" dia. CORNER DRAINS.
DRAINS c/w REMOVABLE STOPPERS.
REAR SPLASH TO ACCOMODATE 8" c/c TYPICAL FAUCET
DRAINBOARD SLOPE TOWARDS THE SINK
1 1/2" dia. EXTERIOR DRAIN (TYPICAL NORTH AMERICAN)



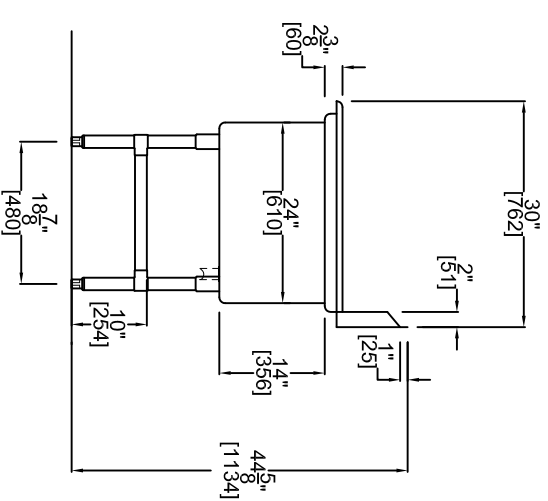
PLAN

SCALE: 1/2"=1'-0"



ELEVATION

SCALE: 1/2"=1'-0"



SECTION A

SCALE: 1/2"=1'-0"

| MODEL |
|----------------|
| MA-S2424-1-L24 |

REVISION:

880 Milner Avenue
 Toronto, Ontario, Canada
 M1B 5N7

PROJECT NAME:

VARIES

DATE:
 NOV. 24, 2017

MODEL:

MA-S2424-1-L24

SCALE:

1/2"=1'-0"

ITEM DESCRIPTION:

1 COMPT. SINK/DR. BOARD

PAGE:

1 of 1

SHEET No.:

1



416 321-5823
 Toll Free: 1 (866) 722-2649
 www.rabcofoodservice.com