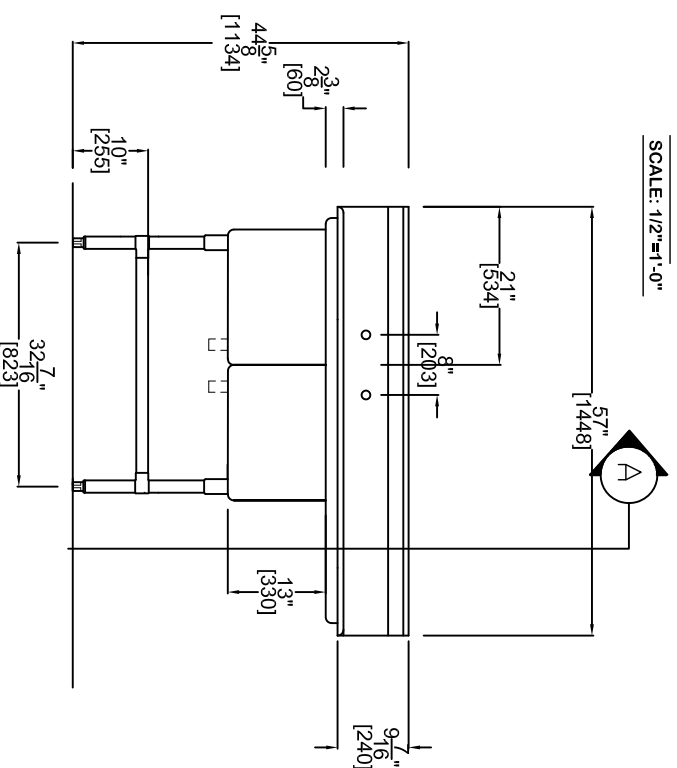


PLAN

SCALE: 1/2"=1'-0"



ELEVATION

SCALE: 1/2"=1'-0"

CONSTRUCTION OF 2 COMPT. SINK c/w DB. RIGHT SIDE.

MODEL: MA-S1821-2-R18

CONSTRUCTED: 18ga. S.STEEL 304 FINISH

1 5/8" dia. LEGS and BRACES 16ga. GALVANIZED

c/w ADJUSTABLE BULLET FEET

SINKS: 18"x21"x13" dp. ALL COVERED CORNERS

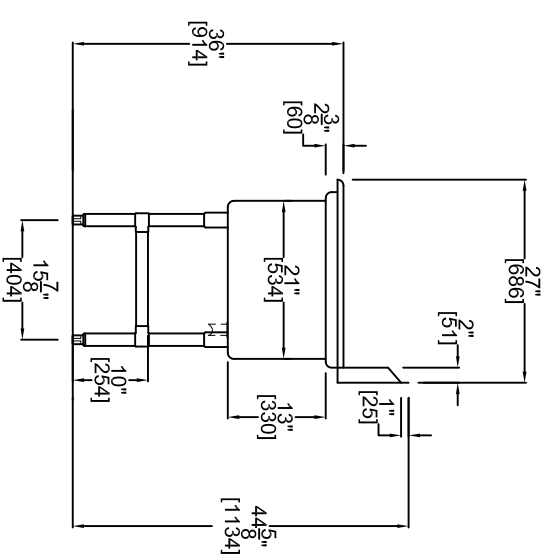
SINK SLOPE TO 2" dia. CORNER DRAINS.

DRAINS c/w REMOVABLE STOPPERS.

REAR SPLASH TO ACCOMODATE 8" c/c TYPICAL FAUCET

DRAINBOARD SLOPE TOWARDS THE SINK

1 1/2" dia. EXTERIOR DRAIN (TYPICAL NORTH AMERICAN)



SECTION A

SCALE: 1/2"=1'-0"

MODEL
MA-S1821-2-R18

REVISION:

880 Milner Avenue
Toronto, Ontario, Canada
M1B 5N7

416 321-5823

Toll Free: 1 (866) 722-2649

www.rabcofoodservice.com



PROJECT NAME:

VARIES

DATE:

NOV. 24, 2017

MODEL:

MA-S1821-2-R18

REVISION:

PAGE:

1 of 1

SHEET No.:

1

SCALE:

1/2"-1'-0"

ITEM DESCRIPTION:

2 COMPT. SINK DB/R