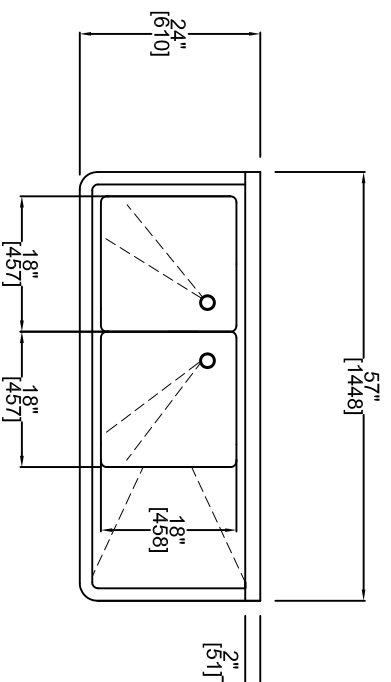
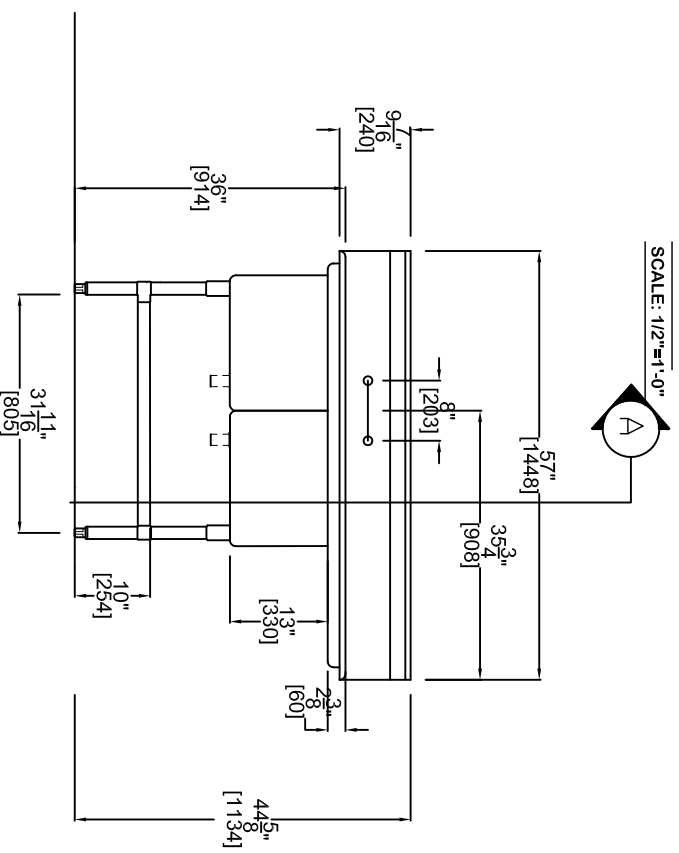


CONSTRUCTION OF 2 COMPT. SINK c/w R HAND SIDE DRAINBOARD.



PLAN

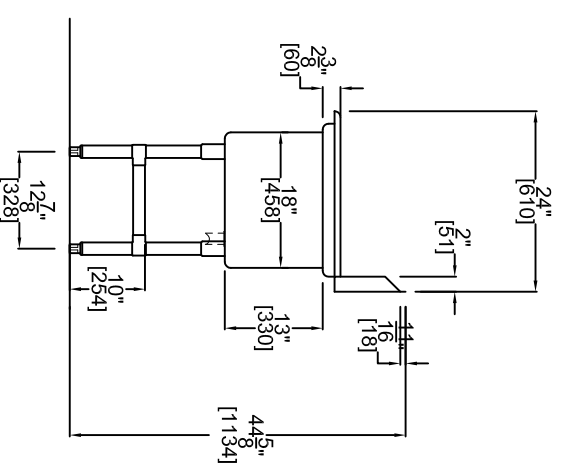
SCALE: 1/2"=1'-0"



ELEVATION

SCALE: 1/2"=1'-0"

MODEL: MA-S1818-2-R18
CONSTRUCTED: 18ga. S.STEEL 304 FINISH
1 5/8" dia. LEGS and BRACES 16ga. GALVANIZED
c/w ADJUSTABLE BULLET FEET
SINKS: 18"x18"x13" dp. ALL COVERED CORNERS
SINKS SLOPE TO 2" dia. CORNER DRAINS.
DRAINS c/w REMOVABLE STOPPERS.
REAR SPLASH TO ACCOMODATE 8" c/c TYPICAL FAUCET
DRAINBOARD SLOPE TOWARDS THE SINK
1 1/2" dia. EXTERIOR DRAIN (TYPICAL NORTH AMERICAN)



SECTION A

SCALE: 1/2"=1'-0"

MODEL
MA-S1818-2-R18

REVISION:

PROJECT NAME:
VARIES

880 Milner Avenue
 Toronto, Ontario, Canada
 M1B 5N7

416 321-5823

Toll Free: 1 (866) 722-2649
 www.rabcofoodservice.com

DATE:
NOV. 17, 2017

MODEL:
MA-S1818-2-R18

SCALE:

1/2"=1'-0"

ITEM DESCRIPTION:

2 COMPT. SINK/DR. BOARD

PAGE:

1 of 1

SHEET No.:

1

