

CONSTRUCTION OF 1 COMPARTMENT SINK DB L HAND SIDE.

MODEL: MA-S1818-1-L18

CONSTRUCTED: 18ga. S.STEEL 304 FINISH

1 5/8" dia. LEGS and BRACES 16ga. GALVANIZED

c/w ADJUSTABLE BULLET FEET

SINK: 18"x18"x12" dp. ALL COVERED CORNERS

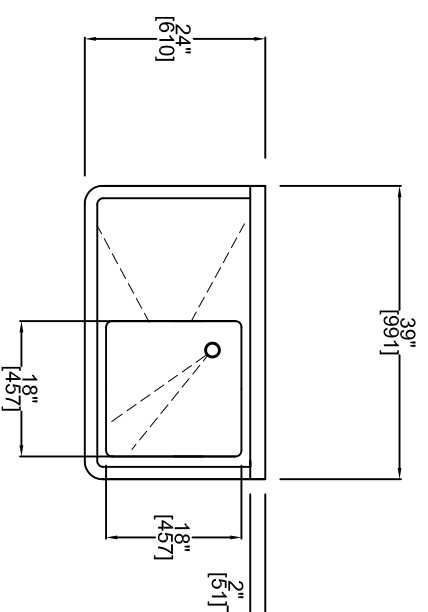
SINK SLOPE TO 2" dia. CORNER DRAINS.

DRAIN c/w REMOVABLE STOPPER.

REAR SPLASH TO ACCOMODATE 8" c/c TYPICAL FAUCET

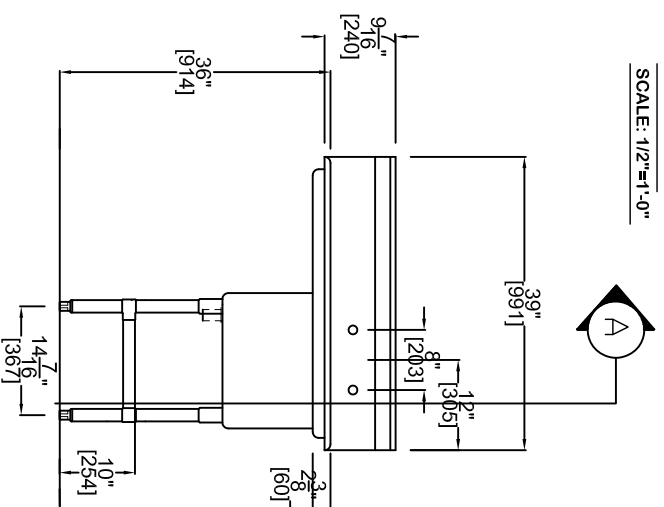
1 1/2" dia. EXTERIOR DRAIN (TYPICAL NORTH AMERICAN)

DRAINBOARD SLOPE TOWARDS THE SINK



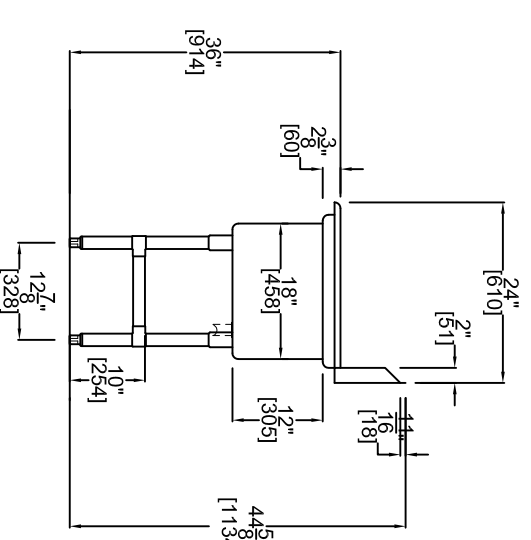
PLAN

SCALE: 1/2"=1'-0"



ELEVATION

SCALE: 1/2"=1'-0"



SECTION A

SCALE: 1/2"=1'-0"

MODEL
MA-S1818-1-L18

REVISION:

880 Milner Avenue
Toronto, Ontario, Canada
M1B 5N7

416 321-5823

Toll Free: 1 (866) 722-2649
www.rabcofoodservice.com



PROJECT NAME:

VARIES

DATE:

NOV. 17, 2017

MA-S1818-1-L18

REVISION:

PAGE: 1 of 1

SHEET No.: 1

SCALE:

1/2" - 1'-0"

ITEM DESCRIPTION:

1 COMPT. SINK/DB.