

KCM0801  
INSTRUCTIONS  
INSTRUCTIONS  
INSTRUCCIONES



**KitchenAid®**

## WELCOME TO THE WORLD OF KITCHENAID.

We're committed to helping you create a lifetime of delicious meals for family and friends. To help ensure the longevity and performance of your appliance, keep this guide handy. It will empower you with the best way to use and care for your product. Your satisfaction is our #1 goal. Remember to register your product online at [www.kitchenaid.com](http://www.kitchenaid.com), or by mail using the enclosed Product Registration Card.



Join us in the kitchen at [www.kitchenaid.com](http://www.kitchenaid.com).

USA: 1.800.541.6390  
Canada: 1.800.807.6777

KitchenAid.com  
KitchenAid.ca

## TABLE OF CONTENTS

### COFFEE BREWER SAFETY

Important safeguards.....	4
Electrical requirements .....	5

### PARTS AND FEATURES

Parts and accessories.....	6
Control panel features.....	7
How pour over coffee is different.....	7

### ASSEMBLING THE COFFEE BREWER

Preparing the Coffee Brewer for use.....	8
--	---

### OPERATING THE COFFEE BREWER

Filling the brew basket .....	9
Coffee dosage guide .....	9
Brewing coffee .....	10

### CARE AND CLEANING

Cleaning the Coffee Brewer.....	11
---------------------------------	----

### TROUBLESHOOTING .....

### WARRANTY AND SERVICE.....

## PROOF OF PURCHASE & PRODUCT REGISTRATION

Always keep a copy of the itemized sales receipt showing the date of purchase of your Coffee Brewer. Proof of purchase will assure you of in-warranty service. Before you use your Coffee Brewer, please fill out and mail your product registration card packed with the unit, or register online at [www.kitchenaid.com](http://www.kitchenaid.com). This card will enable us to contact you in the unlikely event of a product safety notification and assist us in complying with the provisions of the Consumer Product Safety Act. This card does not verify your warranty. Please complete the following for your personal records:

Model Number \_\_\_\_\_

Serial Number \_\_\_\_\_

Date Purchased \_\_\_\_\_

Store Name \_\_\_\_\_

## COFFEE BREWER SAFETY

### Your safety and the safety of others are very important.

We have provided many important safety messages in this manual and on your appliance. Always read and obey all safety messages.



This is the safety alert symbol.

This symbol alerts you to potential hazards that can kill or hurt you and others.

All safety messages will follow the safety alert symbol and either the word "DANGER" or "WARNING." These words mean:

 **DANGER**

**You can be killed or seriously injured if you don't immediately follow instructions.**

 **WARNING**

**You can be killed or seriously injured if you don't follow instructions.**

All safety messages will tell you what the potential hazard is, tell you how to reduce the chance of injury, and tell you what can happen if the instructions are not followed.

State of California Proposition 65 Warnings:

**WARNING:** This product contains one or more chemicals known to the State of California to cause cancer.

**WARNING:** This product contains one or more chemicals known to the State of California to cause birth defects or other reproductive harm.

## IMPORTANT SAFEGUARDS

**When using electrical appliances, basic safety precautions should always be followed, including the following:**

1. Read all instructions.
2. Do not touch hot surfaces. Use handles or knobs.
3. To protect against electrical shock, do not immerse cord, plugs, or Coffee Brewer in water or other liquid.
4. Close supervision is necessary when any appliance is used by or near children.
5. Unplug Coffee Brewer from outlet when not in use and before cleaning. Allow to cool before putting on or taking off parts, and before cleaning the appliance.
6. Do not operate any appliance with a damaged cord or plug or after the appliance malfunctions or has been damaged in any manner. Return appliance to the nearest Authorized Service Facility for examination, repair or adjustment.
7. The use of accessory attachments not recommended by the appliance manufacturer may cause injuries.
8. Do not use outdoors.
9. Do not let cord hang over edge of table or counter, or touch hot surfaces.

# COFFEE BREWER SAFETY

10. Do not place on or near a hot gas or electric burner, or in a heated oven.
11. Do not use appliance for other than intended use.
12. Do not use appliance without lid properly placed on container (carafe).
13. The container (carafe) is designed for use with this appliance. It must never be used on a range top or in a microwave oven.
14. Do not set a hot container (carafe) on a wet or cold surface.
15. Do not use a cracked container (carafe) or a container having a loose or weakened handle.
16. Do not clean container (carafe) with abrasive cleaners, steel wool pads, or other abrasive material.

## SAVE THESE INSTRUCTIONS

**This product is designed for household use only.**

### Electrical requirements

#### **⚠ WARNING**



#### **Electrical Shock Hazard**

**Plug into a grounded 3 prong outlet.**

**Do not remove ground prong.**

**Do not use an adapter.**

**Do not use an extension cord.**

**Failure to follow these instructions can result in death, fire, or electrical shock.**

Voltage: 120 VAC

Frequency: 60 Hz

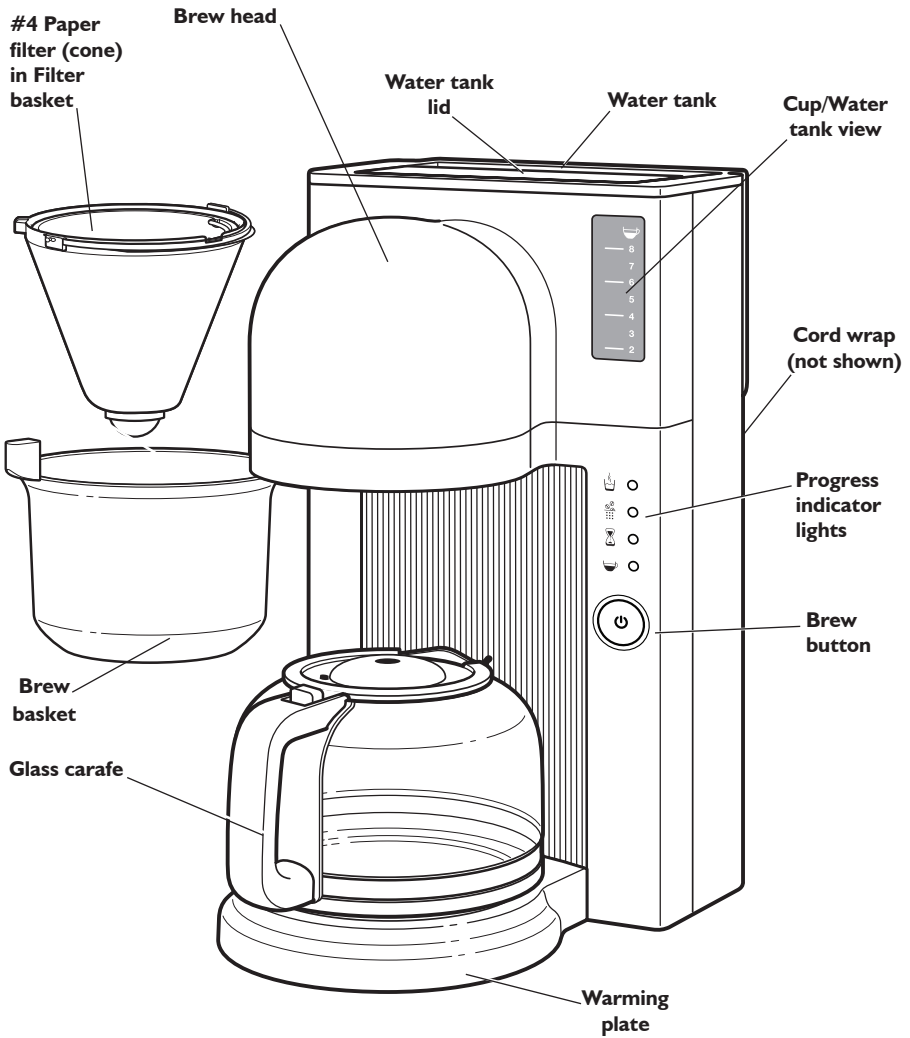
Wattage: 1250 Watts

**NOTE:** This Coffee Brewer has a 3-prong grounded plug. To reduce the risk of electrical shock, this plug will fit in an outlet only one way. If the plug does not fit in the outlet, contact a qualified electrician. Do not modify the plug in any way.

Do not use an extension cord. If the power supply cord is too short, have a qualified electrician or serviceman install an outlet near the appliance.

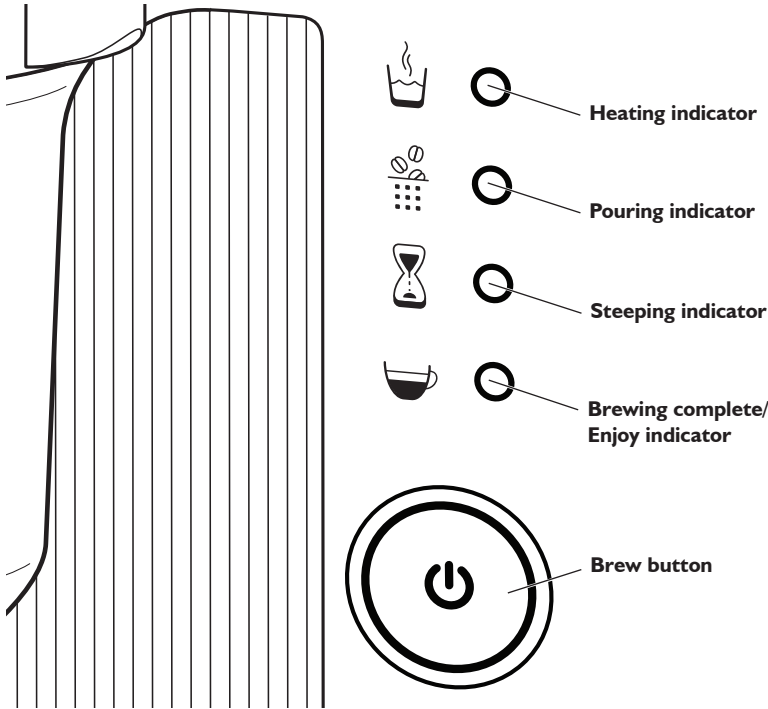
# PARTS AND FEATURES

## Parts and accessories



# PARTS AND FEATURES

## Control panel features



## How pour over coffee is different

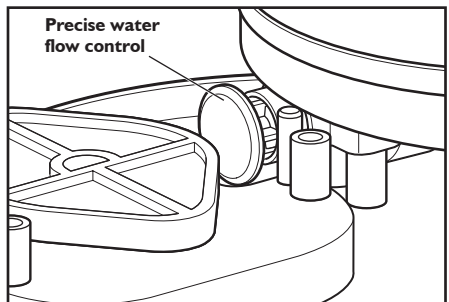
Traditional coffee brewing often doesn't bring out the best flavor of your coffee beans. We often settle for the usual drip coffee maker for the sake of time and convenience.

The ancient art of pour over coffee brewing has recently gained popularity because the technique of slowly pouring water over the ground beans extracts excellent flavor. But, we usually don't have time to perform the ritual.

The KitchenAid® Pour Over Coffee Brewer brings together the clean, complex flavors that are created with a traditional cup of pour over coffee with the ease and convenience of an automatic machine.

Instead of continuously flooding the brew basket with water, the Pour Over Coffee Brewer pulses the flow of water, precisely controlling the extraction, allowing the grounds to "bloom."

In addition, the Pour Over Coffee Brewer heats all of the water at once to the optimal brewing temperature instead of one drop at a time like conventional drip coffee makers. You'll notice the difference in the caramel color and the complex layers of flavor.



This gear inside your Pour Over Coffee Brewer precisely controls water flow, for ideal flavor extraction.

# ASSEMBLING THE COFFEE BREWER

## Preparing the Coffee Brewer for use

### Before first use

Before using your Coffee Brewer for the first time, wash the brew basket and carafe in hot, soapy water, then rinse with clean water and dry.

Do not use abrasive cleaners or scouring pads.

**NOTE:** These parts can also be washed in the top rack of the dishwasher.

## ⚠ WARNING



### Electrical Shock Hazard

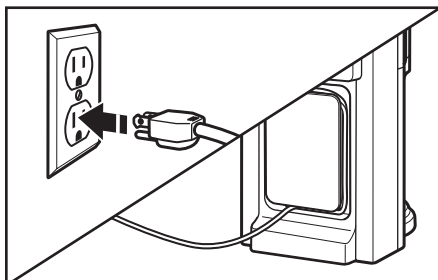
Plug into a grounded 3 prong outlet.

Do not remove ground prong.

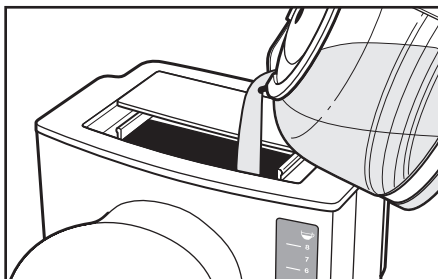
Do not use an adapter.

Do not use an extension cord.

Failure to follow these instructions can result in death, fire, or electrical shock.



1 Plug the Coffee Brewer into a 3-prong grounded outlet. If desired, wrap excess cord around the cord holder on the back of the Coffee Brewer.



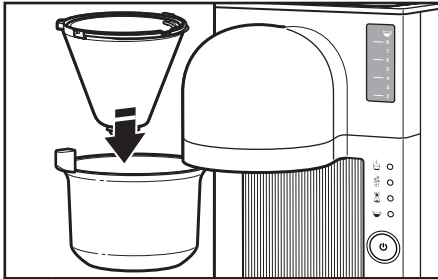
2 Slide the water tank lid back, and fill the water tank with fresh, filtered water to the desired cup level as indicated on the water tank view. Because of the design of this Coffee Brewer, it may take a moment for the water to enter the place in the tank where you can view the water level. Close the water tank lid.

**NOTE:** If the water in the tank has been sitting for awhile and you wish to start fresh, press the BREW button (without coffee in the brew basket). This will cycle through any stale water in the tank.



# OPERATING THE COFFEE BREWER

## Filling the brew basket



**1** Place a #4 paper coffee filter in the brew basket, and press the paper filter in to the sides of the brew basket.



**2** Using the dosage recommendation (see the “Coffee dosage guide” below), fill the paper filter with the desired amount of ground coffee. Then, close the brew basket door.

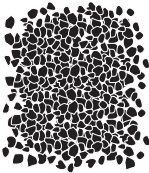
English

**NOTE:** Pre-wetting the paper filter is not required.

## Coffee dosage guide

For best results, when filling the brew basket with coffee grounds, use coffee ground slightly finer than the typical medium grind. If you have a kitchen scale, you can use the chart below to determine how much coffee to use for the number of cups you wish to brew.

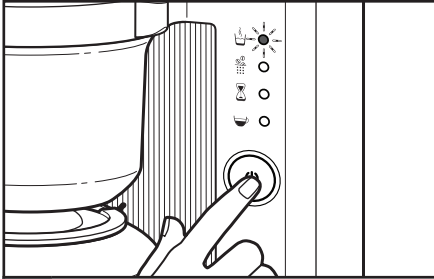
**NOTE:** If using the KitchenAid Burr Grinder, use setting 6. The coffee scoop included with the Pour Over Coffee Brewer holds approximately 8 grams of ground coffee. Adjust dosage to taste.



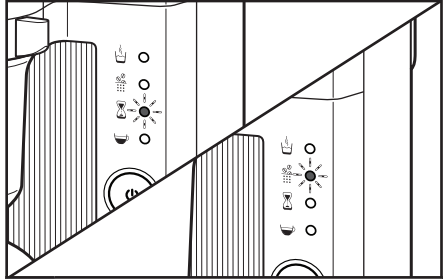
Cups of coffee	Ounces of water	Grind	Grams of ground coffee
2	10	Slightly finer than medium (see example of grind size at left)	17
3	15		25.5
4	20		34
5	25		42.5
6	30		51
7	35		59.5
8	40		68

# OPERATING THE COFFEE BREWER

## Brewing coffee

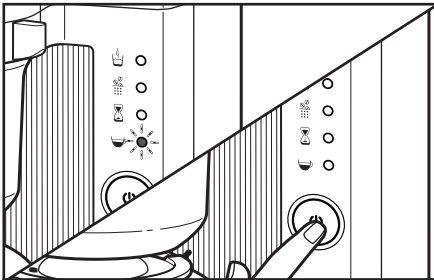


- 1 Press the BREW button. The Coffee Brewer will heat all the water needed to brew at the beginning of the cycle. You will see the Heating indicator light up during this segment of the cycle. This process takes approximately 6 minutes for 8 cups of coffee.



- 2 After all the water is heated, the Coffee Brewer begins to alternately shower the grounds with water, allowing the coffee to steep. This happens in stages until the cycle is over; you will see the Pouring and Steeping indicators alternately light up during this segment of the cycle.

**NOTE:** If you wish to cancel the Brew cycle at any time, press the BREW button.



- 3 When the cycle is complete, the Enjoy indicator will light up and 3 beeps will sound. The Warming plate will then keep the coffee at optimum temperature for 1 hour after brewing. However, for best results, it is recommended that coffee is consumed within 30 minutes after brewing. To cancel the Warm cycle at any time, press the BREW button.

**HELPFUL TIP:** It is recommended to allow the brewing cycle to complete for the selected number of cups prior to tasting to extract the maximum flavor from the pour over brewing method.

# CARE AND CLEANING

## Cleaning the Coffee Brewer

### Descaling the Coffee Brewer

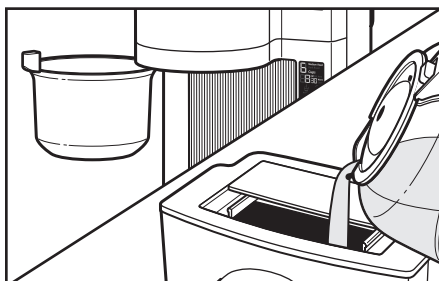
Calcium deposits (scale) from water will build up in the Coffee Brewer over time and impair brewing efficiency and coffee quality. If you notice that it takes longer than usual to brew, or that the Coffee Brewer is making unusual noises, then it is time to descale. The Brew button will flash when the Coffee Brewer needs to be cleaned. Descaling should be done as soon as possible to preserve the performance and life of your Coffee Brewer.

**NOTE:** The Coffee Brewer can be descaled by using a packaged descaling agent, which can be found at various retail stores or online.

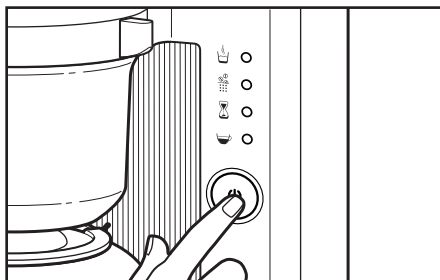
Follow the directions on the package for the recommended ratios of descaling agent and water to use.

The Coffee Brewer should be run through a complete Clean cycle using a full tank of the descaling solution.

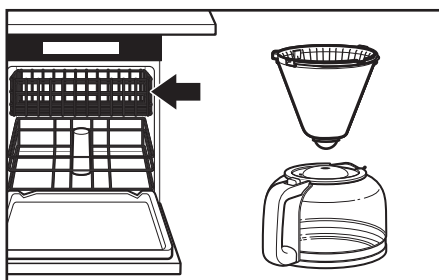
**NOTE:** The Brew button is programmed to flash, signaling that cleaning is needed after every 100 brew cycles. If desired, the Clean cycle can be completed at regular intervals, without waiting for the Brew button to flash. Follow step 1, then press and hold the BREW button for 3 seconds to manually activate the cleaning cycle.



1 Before descaling, make sure the brew basket contains no coffee or coffee filters, and fill the tank with fresh water to the 8 cup fill line.



2 When the Brew button begins to flash: Press and hold the BREW button for 3 seconds. This will activate the clean cycle. The Coffee Brewer will empty the water tank, no matter how many Cups were selected from previous cycle settings. When the clean cycle is complete (approximately 9 minutes), the Brew button will stop blinking, and the Heating, Pouring, and Steeping indicator lights will turn off. The Coffee Brewer is ready to use again.



3 Wash the brew basket and carafe in the top rack of the dishwasher, or wash by hand in hot, soapy water, then rinse with warm water. Dry all parts thoroughly before reassembling the Coffee Brewer.

## **⚠️ WARNING**



### **Electrical Shock Hazard**

**Plug into a grounded 3 prong outlet.**

**Do not remove ground prong.**

**Do not use an adapter.**

**Do not use an extension cord.**

**Failure to follow these instructions can result in death, fire, or electrical shock.**

1. If the display is not illuminated:
  - Check to see whether the Coffee Brewer is plugged into a grounded 3-prong outlet. If it is, check the fuse or circuit breaker on the electrical circuit the Coffee Brewer is connected to and make sure the circuit is closed.
2. If only a portion of the water added to the Coffee Brewer actually brews:
  - The Coffee Brewer requires immediate descaling. Please refer to “Descaling the Coffee Brewer” in the “Care and cleaning” section.
3. If both the Brew button and Heating indicator are flashing:
  - There is no water in the water tank. Press the BREW button to cancel the error code and let the Coffee Brewer cool down for approximately 10 minutes. Fill the water tank to the desired number of cups with fresh, filtered water and continue with the brewing cycle as described in the “Brewing coffee” section.
4. If the problem cannot be corrected:
  - See the “Warranty and service” section. Do not return the Coffee Brewer to the retailer; retailers do not provide service.

# WARRANTY AND SERVICE

## KitchenAid® Pour Over Coffee Brewer Warranty for the 50 United States, the District of Columbia, Puerto Rico, and Canada

This warranty extends to the purchaser and any succeeding owner for Pour Over Coffee Brewers operated in the 50 United States, the District of Columbia, Puerto Rico, and Canada.

English

<b>Length of Warranty:</b>	One Year Full Warranty from date of purchase.
<b>KitchenAid Will Pay for Your Choice of:</b>	Hassle-Free Replacement of your Pour Over Coffee Brewer. See the next page for details on how to arrange for service, or call the Customer eXperience Center toll-free at <b>1-800-541-6390</b> . OR The replacement parts and repair labor costs to correct defects in materials and workmanship. Service must be provided by an Authorized KitchenAid Service Center.

<b>KitchenAid Will Not Pay for:</b>	<ul style="list-style-type: none"><li><b>A.</b> Repairs when Pour Over Coffee Brewer is used in other than normal single family home use.</li><li><b>B.</b> Damage resulting from accident, alteration, misuse or abuse.</li><li><b>C.</b> Any shipping or handling costs to deliver your Pour Over Coffee Brewer to an Authorized Service Center.</li><li><b>D.</b> Replacement parts or repair labor costs for Pour Over Coffee Brewer operated outside the 50 United States, District of Columbia, Puerto Rico, and Canada.</li></ul>
-------------------------------------	--

**DISCLAIMER OF IMPLIED WARRANTIES; LIMITATION OF REMEDIES**  
IMPLIED WARRANTIES, INCLUDING TO THE EXTENT APPLICABLE WARRANTIES OF MERCHANTABILITY OR FITNESS FOR A PARTICULAR PURPOSE, ARE EXCLUDED TO THE EXTENT LEGALLY PERMISSIBLE. ANY IMPLIED WARRANTIES THAT MAY BE IMPOSED BY LAW ARE LIMITED TO ONE YEAR, OR THE SHORTEST PERIOD ALLOWED BY LAW. SOME STATES AND PROVINCES DO NOT ALLOW LIMITATIONS OR EXCLUSIONS ON HOW LONG AN IMPLIED WARRANTY OF MERCHANTABILITY OR FITNESS LASTS, SO THE ABOVE LIMITATIONS OR EXCLUSIONS MAY NOT APPLY TO YOU.  
IF THIS PRODUCT FAILS TO WORK AS WARRANTED, CUSTOMER'S SOLE AND EXCLUSIVE REMEDY SHALL BE REPAIR OR REPLACEMENT ACCORDING TO THE TERMS OF THIS LIMITED WARRANTY. KITCHENAID AND KITCHENAID CANADA DO NOT ASSUME ANY RESPONSIBILITY FOR INCIDENTAL OR CONSEQUENTIAL DAMAGES. This warranty gives you specific legal rights and you may also have other rights which vary from state to state or province to province.

# WARRANTY AND SERVICE

## Hassle-Free Replacement Warranty – 50 United States, District of Columbia, and Puerto Rico

---

We're so confident the quality of our products meets the exacting standards of KitchenAid that, if your Pour Over Coffee Brewer should fail within the first year of ownership, KitchenAid will arrange to deliver an identical or comparable replacement to your door free of charge and arrange to have your original Pour Over Coffee Brewer returned to us. Your replacement unit will also be covered by our one year limited warranty.

If your Pour Over Coffee Brewer should fail within the first year of ownership, simply

call our toll-free Customer eXperience Center at **1-800-541-6390** Monday through Friday. Please have your original sales receipt available when you call. Proof of purchase will be required to initiate the claim. Give the consultant your complete shipping address. (No P.O. Box numbers, please.)

When you receive your replacement Pour Over Coffee Brewer, use the carton, packing materials, and prepaid shipping label to pack up your original Pour Over Coffee Brewer and send it back to KitchenAid.

## Hassle-Free Replacement Warranty – Canada

---

We're so confident the quality of our products meets the exacting standards of the KitchenAid brand that, if your Pour Over Coffee Brewer should fail within the first year of ownership, KitchenAid Canada will replace your Pour Over Coffee Brewer with an identical or comparable replacement. Your replacement unit will also be covered by our one year limited warranty.

If your Pour Over Coffee Brewer should fail within the first year of ownership, simply call our toll-free Customer eXperience

Center at **1-800-807-6777** Monday through Friday. Please have your original sales receipt available when you call. Proof of purchase will be required to initiate the claim. Give the consultant your complete shipping address.

When you receive your replacement Pour Over Coffee Brewer, use the carton, packing materials, and prepaid shipping label to pack up your original Pour Over Coffee Brewer and send it back to KitchenAid.

## Arranging for Service after the Warranty Expires, or Ordering Accessories and Replacement Parts

---

### In the United States and Puerto Rico:

For service information, or to order accessories or replacement parts, call toll-free at **1-800-541-6390** or write to:

Customer eXperience Center,  
KitchenAid Small Appliances,  
P.O. Box 218, St. Joseph, MI 49085-0218

### Outside the United States and Puerto Rico:

Consult your local KitchenAid dealer or the store where you purchased the Pour Over Coffee Brewer for information on how to obtain service.

### For service information in Canada:

Call toll-free **1-800-807-6777**.

### For service information in Mexico:

Call toll-free **01-800-0022-767**.