


Fan Motor Replacement Kit

To ensure safe installation and operation, read the following statements and understand their meaning. Please read carefully.

⚠ WARNING

Warning is used to indicate the presence of a hazard that *can* cause severe personal injury, death, or substantial property damage if the warning is ignored.

SAFETY PRECAUTIONS

	<p>⚠ WARNING</p> <p>Electrical Shock Hazard. Turn off and unplug equipment before cleaning or servicing. Hands, tools or cleaning products contacting live current can cause electrical shock.</p>
<p>Do not clean or service equipment unless the power has been turned off and disconnected. Do not spray water or cleaning products. Liquid could contact the electrical components and cause component failure or an electrical shock.</p>	

INSTALLATION PROCEDURES

1. Turn the equipment off and unplug from its power source.
2. Allow the equipment to cool completely.
3. Remove the oven door.
4. Open the door (B). See Figure 1.
5. Note the down or back position of hinge locks (E). Check that both sides are in this position.

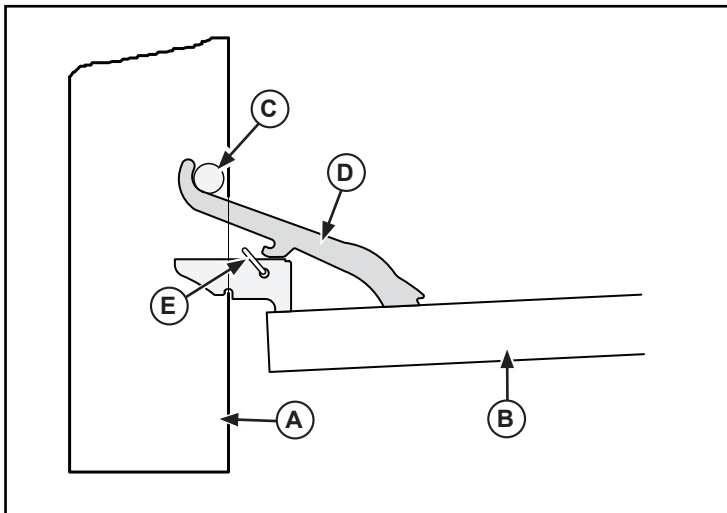


Figure 1. Oven Door and Hinge Lock (down or back position)

6. Place the hinge lock (E) over the hinge arm (D) as shown. Repeat on both sides. See Figure 2.

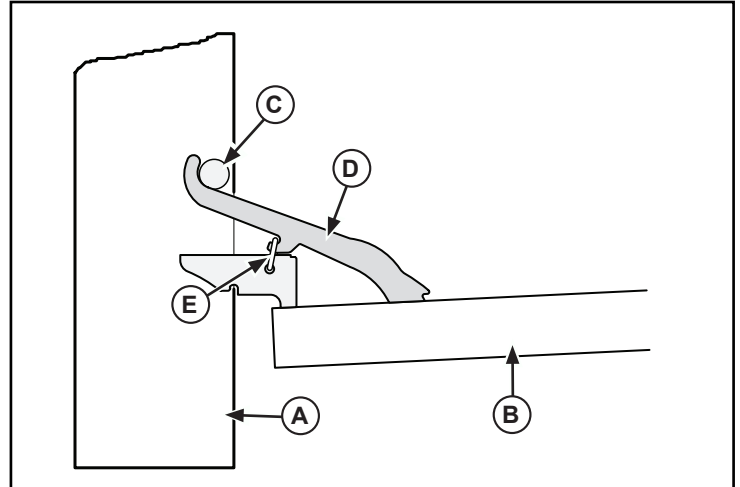


Figure 2. Oven Door and Hinge Lock (up or locked position)

7. Tilt the oven door (B) up slightly and lift the oven door out. See Figure 3.

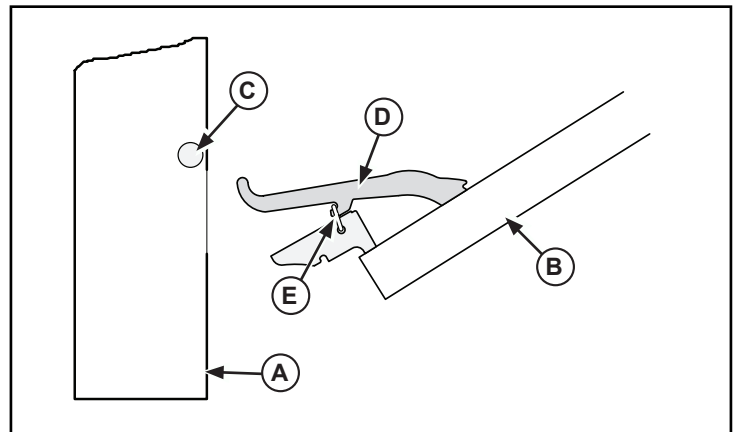


Figure 3. Oven Door removal and Installation

8. Remove the shelves, thumb screws and shelf runners.
9. Remove the hardware (B) and fan cover (A). See Figure 4.

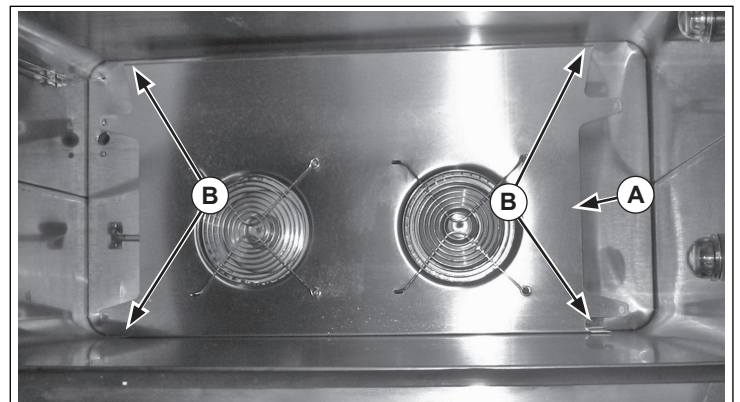


Figure 4. Fan Cover and Hardware

10. Remove the fan nut (E) and fan washer (D). See Figure 5.

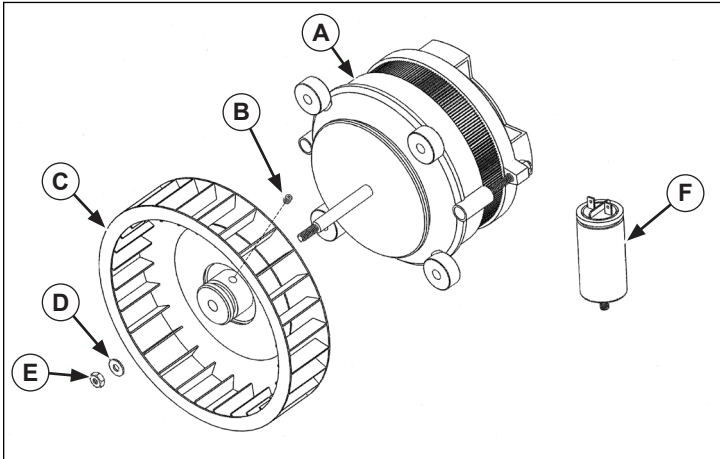


Figure 5. Fan, Motor, Hardware and Capacitor

11. Loosen the set screw (B) and remove the fan (C).
12. Remove the back cover.
13. Carefully remove the ties (D) securing the fan wires. See Figure 6.

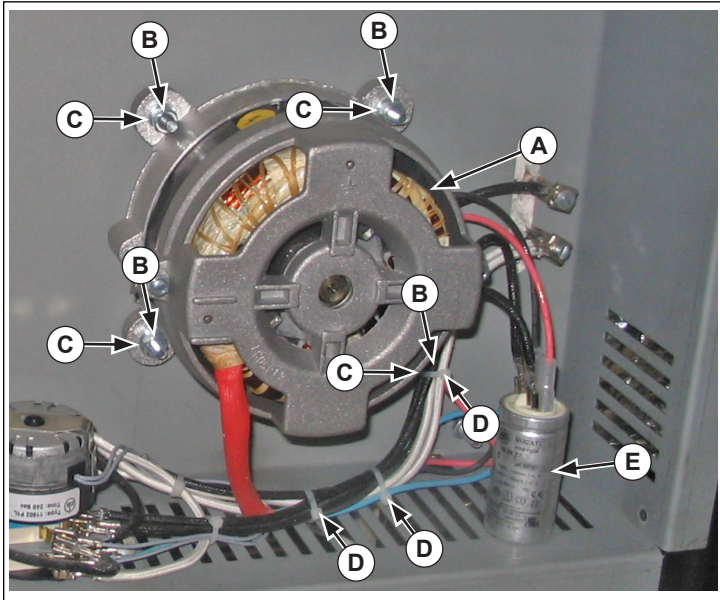


Figure 6. Motor, Hardware, Wires, Ties, Hardware and Capacitor

14. Note the wire colors, locations and connection points from the fan wire harness. Remove the wires from their connection points.
15. Remove the nuts (B) and washers (C) securing the fan. Remove and discard the old fan (A), retain the hardware.

16. Install the new fan (A) in the same position as the old fan. Secure the new fan (A) with the nuts (B) and washers (C) removed in the previous step.
17. Connect the new fan (A) wire harness to the correct locations noted previously.
18. Secure the wires and wire harness using new ties.
19. Note the colors and locations of the wires connected to the capacitor (E).
20. Remove the wires connected from the capacitor (E).
21. Remove and discard the capacitor (E). Retain hardware to secure the new capacitor.
22. Install the new capacitor (E).
23. Connect the wires to the correct locations noted previously.
24. Reinstall the back cover.
25. Install the new fan (C) securing with the set screw (B), fan washer (D) and nut (E). See Figure 5.
26. Install and secure the fan cover (A). See Figure 4.
27. Install the shelf runners securing with the thumb screws. Install the shelves.
28. Reinstall the oven door.
29. Carefully set the oven door (B) into the oven (A). Place the arm (D) so that it sets under pin (C). See Figure 3.
30. Rotate the hinge lock (E) off the hinge arm (D) as shown. Repeat on both sides. See Figure 2.
31. Carefully open and close the door to verify that it is operating correctly. If not repeat steps 28 and 29.
32. Reconnect the oven power.



www.vollrathco.com

The Vollrath Company, L.L.C.
1236 North 18th Street
Sheboygan, WI 53081-3201
U.S.A.

Main Tel: 800.628.0830
Fax: 800.752.5620

Technical Services: 800.628.0832
Service Fax: 920.459.5462

Canada Service: 800.695.8560

© 2010 The Vollrath Company, L.L.C.