



HOSHIZAKI

Parts List

Large Cube Ice Maker

Model

IM-50BAA-LM



hoshizakiamerica.com

Number: M095-5074
Issued: 1-2021

Auxiliary Codes

IM-50BAA-LM

A-1

January 2021

Auxiliary Code Breakdown

The auxiliary code is the first two characters in the serial number. The first character indicates the year. Years progress or regress in alphabetical order. The series runs from "A" through "V" and the letters "I" and "O" are skipped. The second character indicates significant part changes within a year. Base is "0" and this number advances for each change. In cases where there is a letter in parentheses, this designates the month. This is the last character in the serial number. The series runs from "(A)" through "(M)" and the letter "(I)" is skipped. This designation is only included when identifying a parts change within an auxiliary code.

Note About Ordering Parts

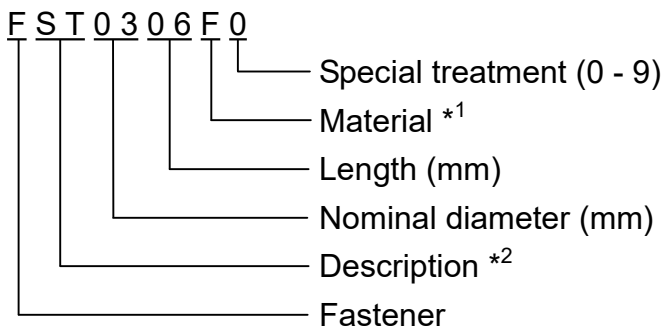
Most assemblies cannot be ordered as complete units; parts in the assemblies generally must be ordered separately.

MARKS LOCATED UNDER THE AUXILIARY CODE

- = Part deleted.
- x = Part deleted and replaced by "o" part.
- o = New part in place of "x" part.

FASTENER PART NUMBER

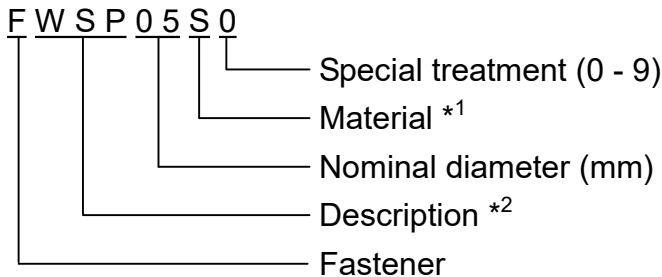
SCREWS



*¹ Material

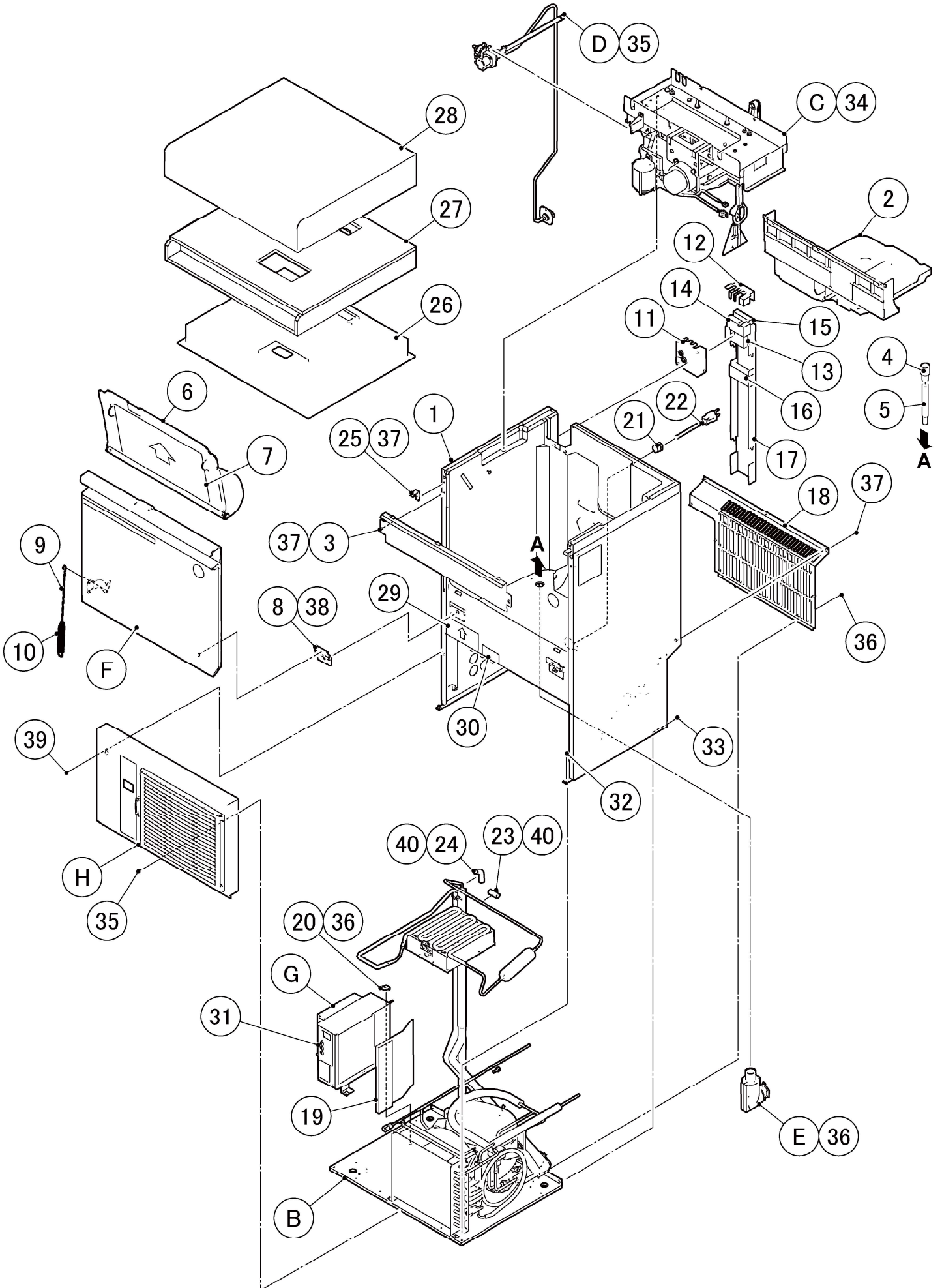
- F: Steel
- S: Austenitic stainless steel
- M: Martensitic stainless steel
- B: Copper alloy
- P: Polycarbonate
- N: Polyamide
- V: PVC
- A: ABS
- X: Polyacetal
- L: Aluminum

NUTS & WASHERS



*² Description

- First letter
- S: Machine screw
- T: Tapping screw
- M: Wood screw
- B: Bolt
- W: Washer
- N: Nut



MODEL: **IM-50BAA-LM**TITLE: **A. ICE CUBER ASSY**

INDEX NO.	DESCRIPTION	MATERIAL OR MODEL NUMBER	PART NUMBER	REQ'D NUMBER				
				A-1				
B	REFRIGERATION ASSY		1H6391A01	1				
C	MECHANISM ASSY		1H6393A01	1				
D	WATER CIRCUIT ASSY		3Z1958A01	1				
E	DRAIN HOSE ASSY		4Z0812A01	1				
F	DOOR ASSY		3Z1606A02	1				
G	CONTROL BOX ASSY		2X4557A01	1				
H	FRONT COVER (LO)		2X4519G01	1				
U	ACCESSORIES		A03842-01	1				
1	BODY		1H6392G01	1				
2	DRAIN PAN (G)		2X4516G01	1				
3	FRAME - FRONT		3Z1959M01	1				
4	DRAIN TUBE		4H2585-01	1				
5	DRAIN PIPE		4Z1318P01	1				
6	SLOPE		2H8186P01	1				
7	MAINTENANCE LABEL		281697L01	1				
8	HINGE		P03583-01	2				
9	HOOK - SPRING		4Y8746M01	1				
10	SPRING		4Y8748M01	1				
11	GROMMET		3Z1963R01	1				
12	CAP - PIPE		4Z1303M01	1				
13	INSULATION - BIN (A)		4Z1300P01	1				
14	INSULATION - BIN (B)		4Z1301P01	1				
15	INSULATION - BIN (C)		4Z1302P01	1				
16	INSULATION/PIPE		4Y4252P01	1				
17	COVER - PIPE		3Y2274M01	1				
18	REAR COVER		2X4517M01	1				
19	AIR GUIDE		4Z1299G01	1				
20	GUIDE - BASE		4Z0202M01	1				
21	BUSHING		420472-02	1				
22	POWER SUPPLY CORD		P00004-01	1				

