



HOSHIZAKI

Parts List

Counter Showcase

Model

HNC-120BA-L/R-SLH

HNC-150BA-L/R-SLH

HNC-180BA-L/R-SLH

HNC-210BA-L/R-SLH



hoshizakiamerica.com

Number: S109-4678

Issued: 12-2018

Revised: 3-2023

Auxiliary Codes

HNC-120BA-L/R-SLH	J-1	January 2019
HNC-150BA-L/R-SLH	J-1	January 2019
HNC-180BA-L/R-SLH	J-1	January 2019
HNC-210BA-L/R-SLH	J-1	January 2019

AUXILIARY CODE

The auxiliary code is the first two characters in the serial number. The first character indicates the year. Years progress or regress in alphabetical order. The series runs from "A" through "V" and the letters "I" and "O" are skipped. The second character indicates significant part changes within a year. Base is "0" and this number advances for each change. In cases where there is a letter in parentheses, this designates the month. This is the last character in the serial number. The series runs from "(A)" through "(M)" and the letter "(I)" is skipped. This designation is only included when identifying a parts change within an auxiliary code.

Note About Ordering Parts

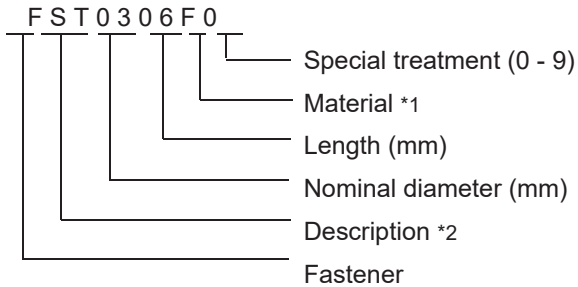
Most assemblies cannot be ordered as complete units; parts in the assemblies generally must be ordered separately.

MARKS LOCATED UNDER THE AUXILIARY CODE

- = Part deleted.

FASTENER PART NUMBER

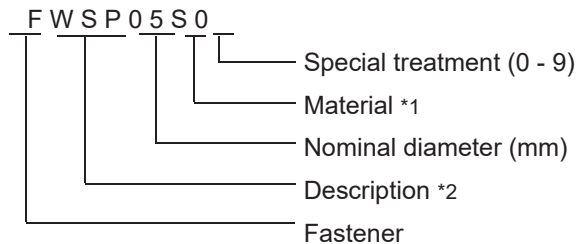
SCREWS



*1

F: Steel
S: Austenitic stainless steel
M: Martensitic stainless steel
B: Copper alloy
P: Polycarbonate
N: Polyamide
V: PVC
A: ABS
X: Polyacetal
L: Aluminum

NUTS & WASHERS



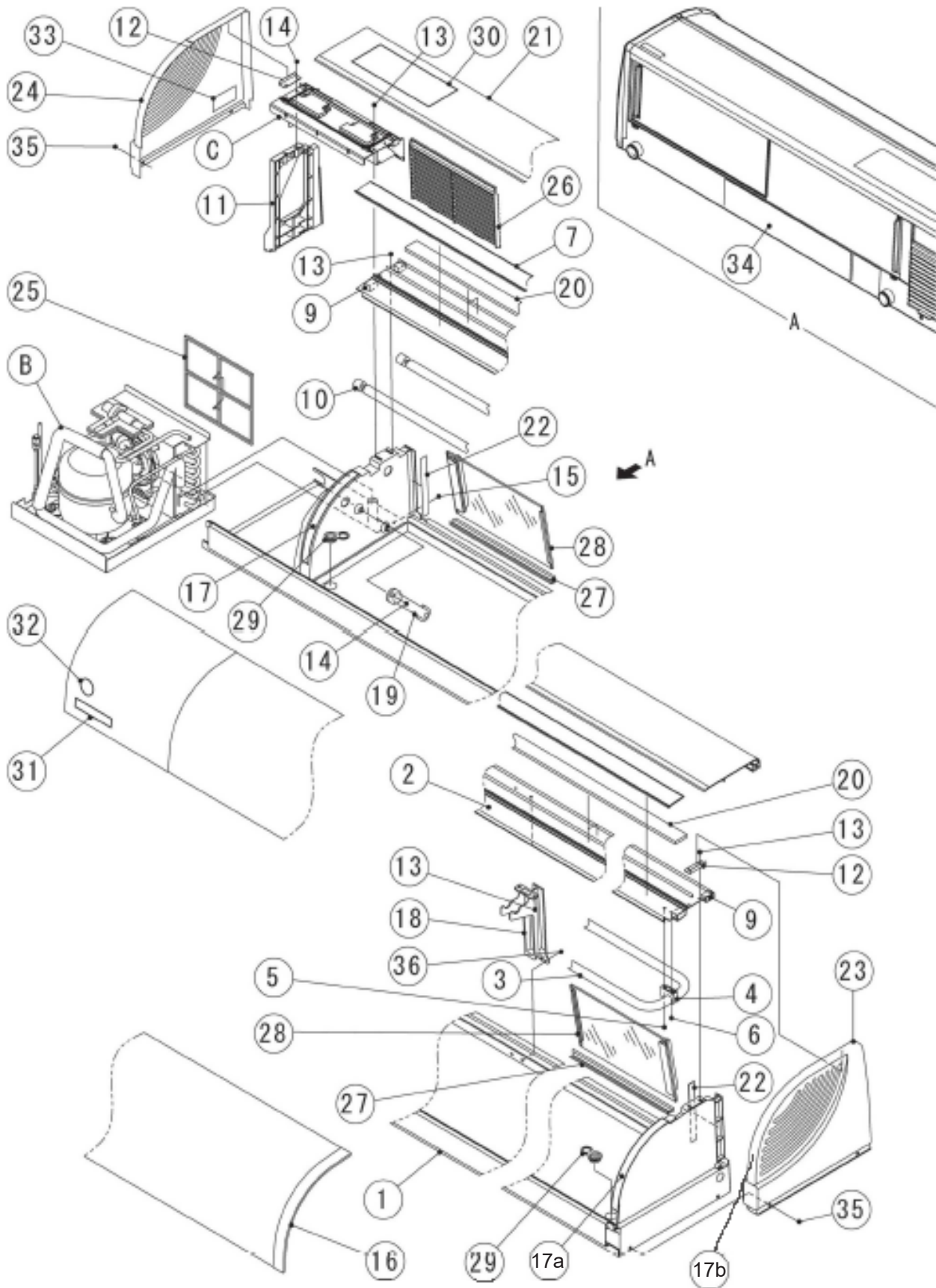
*2

First letter
S: Machine screw
T: Tapping screw
M: Wood screw
B: Bolt
W: Washer
N: Nut

HNC-120BA-L/R-SLH
HNC-150BA-L/R-SLH
HNC-180BA-L/R-SLH
HNC-210BA-L/R-SLH

A. COUNTER SHOWCASE ASSY

(J-1) and later



HA

MODEL: HNC-120BA-L/R-SLH HNC-150BA-L/R-SLH HNC-180BA-L/R-SLH HNC-210BA-L/R-SLH		TITLE:A.GENERAL AY						
INDEX NO.	DESCRIPTION	MATERIAL OR MODEL NUMBER	PART NUMBER	REQ'D NUMBER				
				J-1				
B	REFRIGERATION AY - L	(120)(150)	1H6158A01	1				
		(180)(210)	1H6158A02	1				
	REFRIGERATION AY - R	(120)(150)	1H6159A01	1				
		(180)(210)	1H6159A02	1				
C	ELB BRACKET AY - L	(L)	2X3756A01	1				
	ELB BRACKET AY - R	(R)	2X3757A01	1				
D	ACCESSORIES	(120)	A03680-01	1				
		(150)	A03681-01	1				
		(180)	A03682-01	1				
		(210)	A03683-01	1				
1	BASE AY - 12L	(120BA-L)	1H5879G01	1				
	BASE AY - 12R	(120BA-R)	1H5880G01	1				
	BASE AY - 15L	(150BA-L)	1H5881G01	1				
	BASE AY - 15R	(150BA-R)	1H5882G01	1				
	BASE AY - 18L	(180BA-L)	1H5883G01	1				
	BASE AY - 18R	(180BA-R)	1H5884G01	1				
	BASE AY - 21L	(210BA-L)	1H5885G01	1				
	BASE AY - 21R	(210BA-R)	1H5886G01	1				
2	TOP FRAME (L) - 12	(120BA-L) (includes LED)	3Z1331G01	1				
	TOP FRAME (R) - 12	(120BA-R) (includes LED)	3Z1332G01	1				
	TOP FRAME (L) - 15	(150BA-L) (includes LED)	3Z1333G01	1				
	TOP FRAME (R) - 15	(150BA-R) (includes LED)	3Z1334G01	1				
	TOP FRAME (L) - 18	(180BA-L) (includes LED)	3Z1335G01	1				
	TOP FRAME (R) - 18	(180BA-R) (includes LED)	3Z1336G01	1				
	TOP FRAME (L) - 21	(210BA-L) (includes LED)	3Z1337G01	1				
	TOP FRAME (R) - 21	(210BA-R) (includes LED)	3Z1338G01	1				
3	PIPE UP/EVAP12	(120)	P02942-02	1				
	PIPE UP/EVAP15	(150)	P02942-03	1				
	PIPE UP/EVAP18	(180)	P02942-04	1				
	PIPE UP/EVAP21	(210)	P02942-05	1				

HA

MODEL: HNC-120BA-L/R-SLH HNC-150BA-L/R-SLH HNC-180BA-L/R-SLH HNC-210BA-L/R-SLH		TITLE:A.GENERAL AY						
INDEX NO.	DESCRIPTION	MATERIAL OR MODEL NUMBER	PART NUMBER	REQ'D NUMBER				
				J-1				
4	HOLDER ASSY		4R2804A01	1				
5	TRUSS HEAD TAPPING SCREW T2		FT20430M0	1				
6	TRUSS HEAD TAPPING SCREW T2		FT20410M0	1				
7	TOP GASKET - 12	(120)	3S1630P01	1				
	TOP GASKET - 15	(150)	3S1630P02	1				
	TOP GASKET - 18	(180)	3S1630P03	1				
	TOP GASKET - 21	(210)	3S1630P04	1				
9	INSULATION - TOP FRAME		4R5131P01	4				
10	SEAL C/EVAP		4R2368Z04	2				
11	SIDE FRAME (L)	(L)	2R4504P02	1				
	SIDE FRAME (R)	(R)	2R4504P01	1				
12	HOOK		4R5121M01	2				
13	TRUSS HEAD TAPPING SCREW T2	(120)	FT20410M0	6				
		(150,180,210)	FT20410M0	8				
14	TRUSS HEAD TAPPING SCREW T1		FT10416M0	4				
15	TAPPING SCREW-BLACK		433954-01	2				
16	FRONT GLASS - 12	(120)	P01641-02	1				
	FRONT GLASS - 15	(150)	P01641-03	1				
	FRONT GLASS - 18	(180)	P01641-04	1				
	FRONT GLASS - 21	(210)	P01641-05	1				
17a	SOFT SEAL (A)		4R5133P01	2				
17b	SIDE PACKING		4R5090P01	2				
18	CENTER FRAME AY	(150,180,210)	2R4566G01	1				
19	THERMOMETER		461083-01	1				
20	INSULATION (B)	(120)	4R5132P02	2				
	INSULATION (C)	(150)	4R5132P03	2				
	INSULATION (D)	(180)	4R5132P04	4				
	INSULATION (E)	(210)	4R5132P05	4				
21	SUS TOP COVER - 12	(120)	2R4597G01	1				
	SUS TOP COVER - 15	(150)	2R4578G01	1				
	SUS TOP COVER - 18	(180)	2R4587G01	1				
	SUS TOP COVER - 21	(210)	2R4565G01	1				
22	CUSHION-SIDE PANEL		4R5123R01	2				

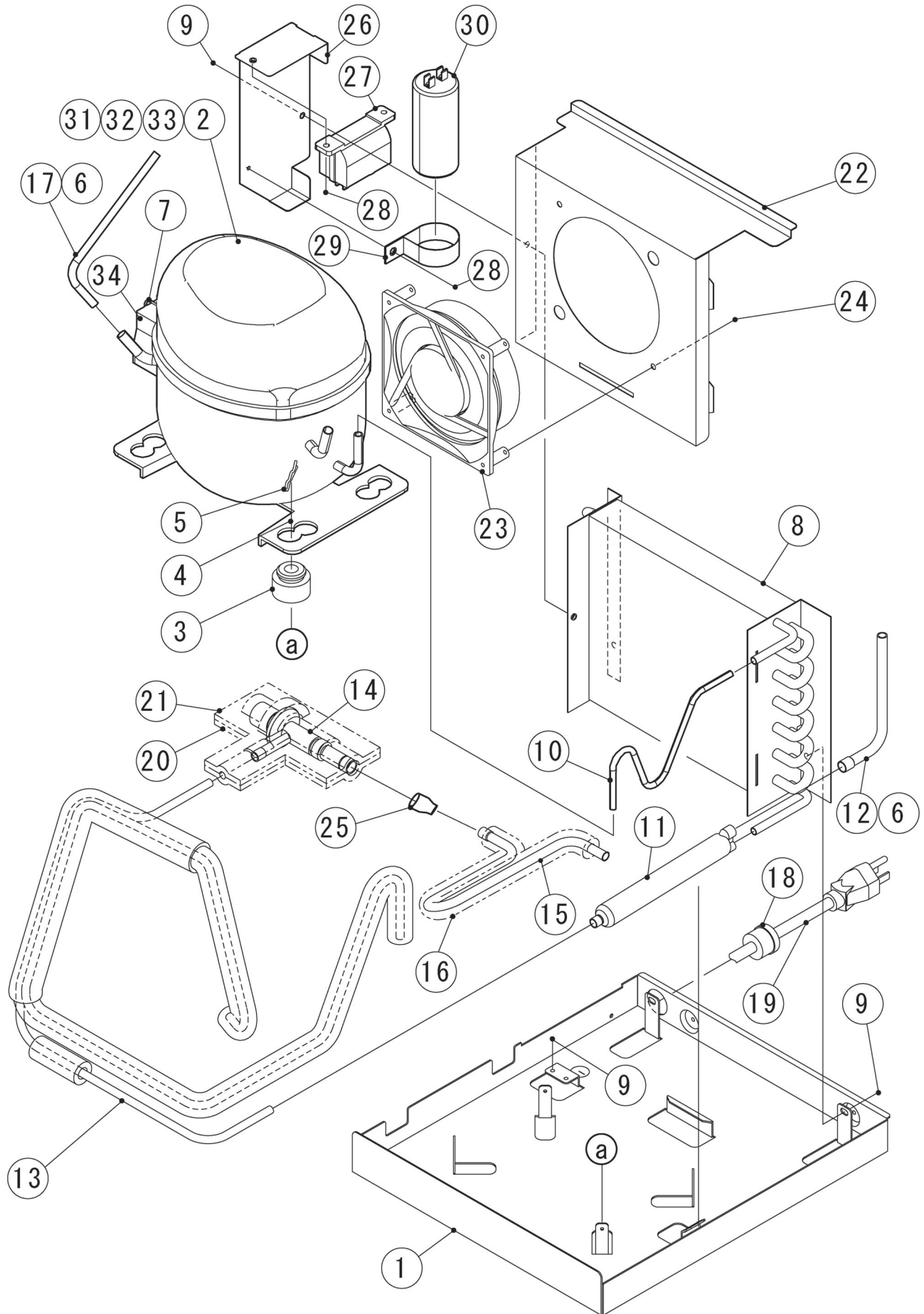
HA

MODEL: HNC-120BA-L/R-SLH HNC-150BA-L/R-SLH HNC-180BA-L/R-SLH HNC-210BA-L/R-SLH		TITLE:A.GENERAL AY						
INDEX NO.	DESCRIPTION	MATERIAL OR MODEL NUMBER	PART NUMBER	REQ'D NUMBER				
				J-1				
23	SIDE COVER R AY	(L)	3S1787G01	1				
		(R) Including NO.33	3S1783G04	1				
24	SIDE COVER L AY	(L) Including NO.33	3S1788G04	1				
		(R)	3S1781G01	1				
25	AIR FILTER		3S1695G01	1				
26	LOUVER-UNIT		2R4506P01	1				
27	SLIDER/12	(120)	4R2254-02	1				
	SLIDER/15	(150)	4R2254-03	2				
	SLIDER/18	(180)	4R2254-04	2				
	SLIDER/21	(210)	4R2254-05	2				
28	SLIDING DOOR	(120)	3R5019G06	2				
		(150)	3R5019G07	4				
		(180)	3R5019G08	4				
		(210)	3R5019G09	4				
29	CAP-DRAIN		4R2260-01	2				
30	MAINTENANCE LABEL		257431L01	1				
31	NAME PLATE (S)		431136-01	1				
32	CARACTER LABEL-PENGUIN	(L)	448818-02	1				
		(R)	448818-01	1				
33	WIRING LABEL		3Y9818L01	1				
34	LABEL - REFRIGERANT		388262L01	1				
35	TRUSS HEAD TAPPING SCREW T2		FT20408M0	4				
36	SCREW	(150,180,210)	4Y1683-05	2				

HNC-120BA-L/R-SLH
HNC-150BA-L/R-SLH
HNC-180BA-L/R-SLH
HNC-210BA-L/R-SLH

B. REFRIGERATION AY

(J-1) and later



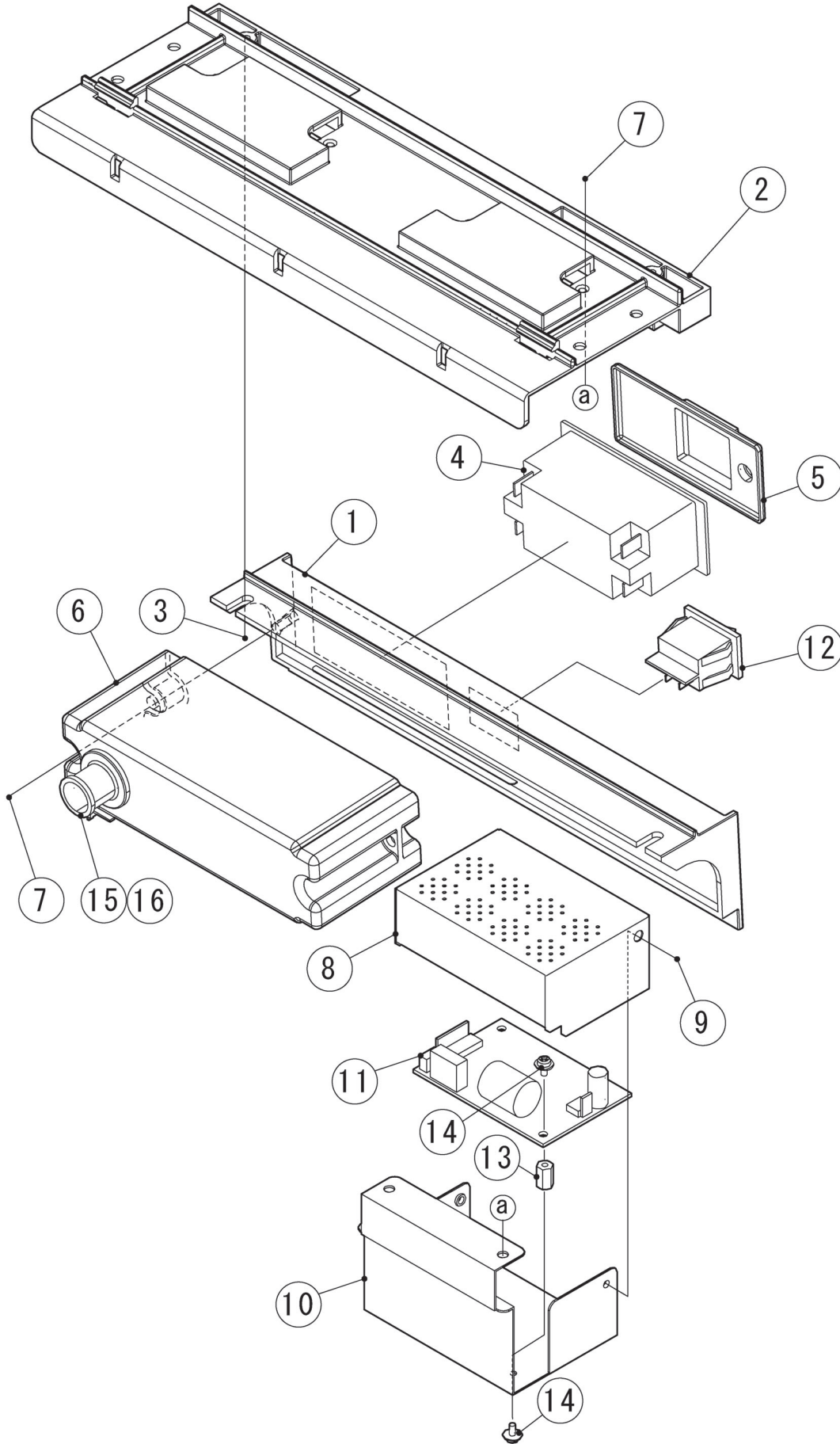
HA

MODEL: HNC-120BA-L/R-SLH HNC-150BA-L/R-SLH HNC-180BA-L/R-SLH HNC-210BA-L/R-SLH		TITLE: B. REFRIGERATION AY						
INDEX NO.	DESCRIPTION	MATERIAL OR MODEL NUMBER	PART NUMBER	REQ'D NUMBER				
				J-1				
1	BASE/UNIT	(L)	2R6594M04	1				
		(R)	2R6594M03	1				
2	COMPRESSOR	(120)(150) CL0547-PA	P04936-01	1				
		(180)(210) CL0768-PA	P04937-01	1				
3	RUBBER GROMMET		P02013-01	4				
4	FLAT WASHER		FWPL10S0	2				
5	SNAP PIN		715S-0010	2				
6	COVER - CHARGE TUBE		4Z0510P01	2				
7	STRAP		451041-01	1				
8	CONDENSER		P01558-01	1				
9	TRUSS HEAD TAPPING SCREW (S-TITE)		FTS0408M0	5				
10	COPPER TUBE A/HI	(L)	4R6329M01	1				
		(R)	4R6117M01	1				
11	DRIER	DY-15QHD-9	458772-01	1				
12	COPPER TUBE (K)		4R5252M02	1				
13	HEAT EXCHANGER L	(L)	2R7137G01	1				
	HEAT EXCHANGER R	(R)	2R7141G01	1				
14	EXPANSION VALVE	HYP2-5VHD-1	P04945-01	1				
15	COPPER TUBE -EVAPORATOR	(L)	3S4055M01	1				
		(R)	3S4055M02	1				
16	INSULATION TUBE	(520mm)	3S3791P04	1				
17	COPPER TUBE - PROCESS		4Z0509M01	1				
18	BUSHING	SR-7K-2	420472-02	1				
19	POWER SUPPLY CORD/ASSY		4R5126A01	1				
20	COVER A/EXPV		321949-07	1				
21	COVER B/EXPV		321949-08	1				
22	SHROUD	(L)	3S1772M02	1				
		(R)	3S1772M01	1				
23	FAN MOTOR	11938MB-A1M-SA-01	P03371-01	1				
24	TRUSS HEAD TAPPING SCREW T2		FT20410M0	2				
25	REDUCER		420915-11	1				
26	BRACKET (L) - CAPACITOR	3Z1061A01	3Z1062M01	1				
	BRACKET (R) - CAPACITOR	3Z1061A02	3Z1062M02	1				

HNC-120BA-L/R-SLH
HNC-150BA-L/R-SLH
HNC-180BA-L/R-SLH
HNC-210BA-L/R-SLH

C. ELB BRACKET AY

(J-1) and later



HNC-120BA-L/R-SLH
HNC-150BA-L/R-SLH
HNC-180BA-L/R-SLH
HNC-210BA-L/R-SLH

D. ACCESSORIES

(J-1) and later

